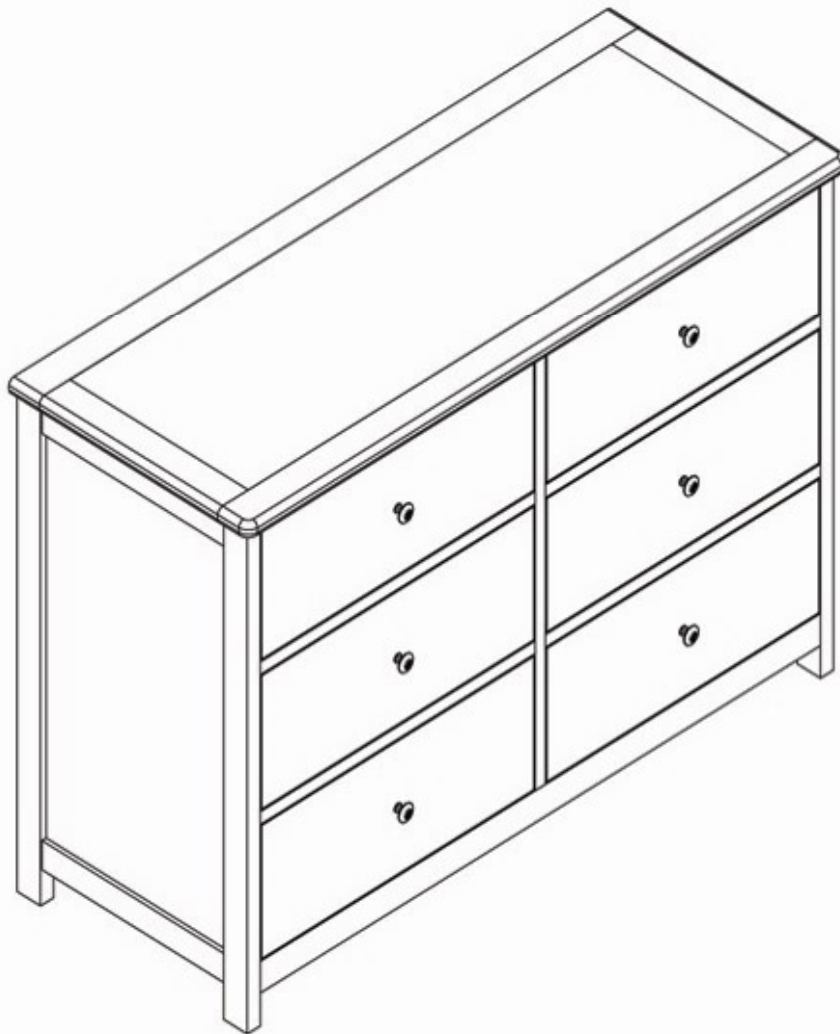


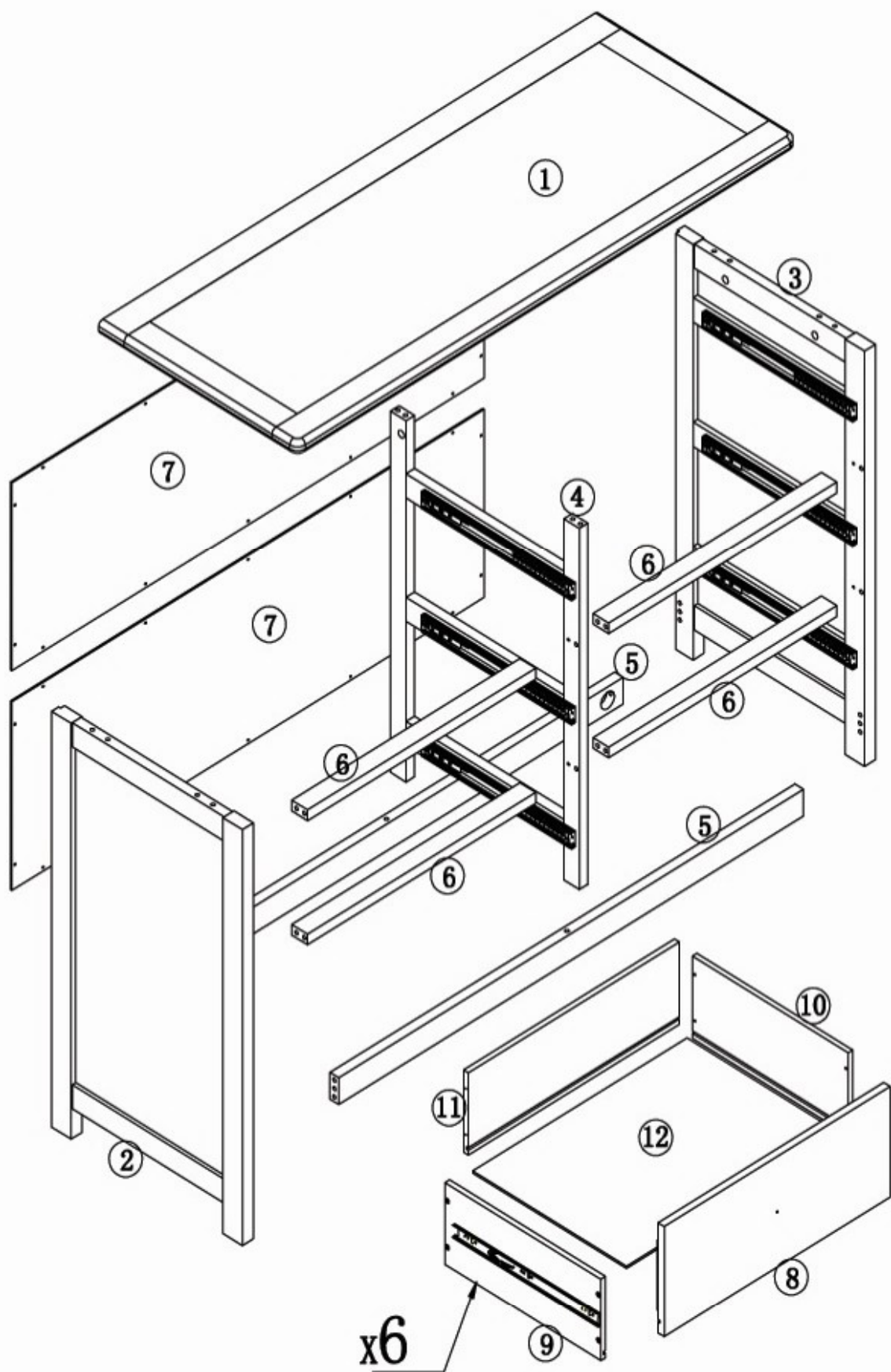


# ASSEMBLY INSTRUCTIONS



**IMPORTER: Cloud 9 Baby Bedrooms Pty Ltd**

**ADDRESS: 75/193 South Pine Road, Brendale, Queensland, 4500**



### Part List

①	①	X	1
②	②	X	1
③	③	X	1
④	④	X	1
⑤	⑤	X	2
⑥	⑥	X	4
⑦	⑦	X	2
⑧	⑧	X	6
⑨	⑨	X	6
⑩	⑩	X	6
⑪	⑪	X	6
⑫	⑫	X	6

# HARDWARE



Ax22 PCS



Bx14 PCS



Cx14 PCS



Dx48 PCS



Ex4 PCS



Fx2 PCS



Gx6 PCS



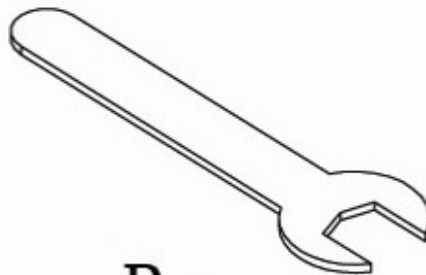
Hx6 PCS



Jx4 PCS



Qx4 PCS



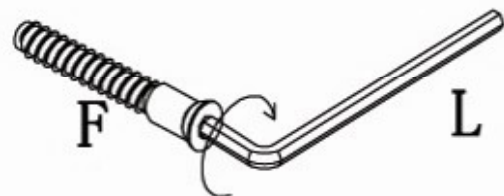
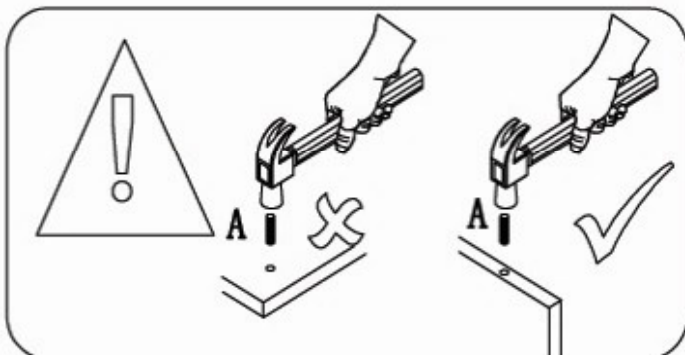
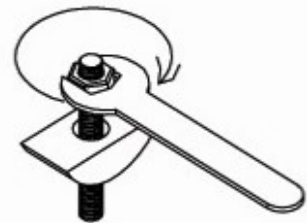
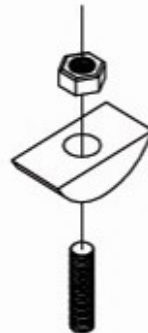
Px1 PCS



Lx1 PCS

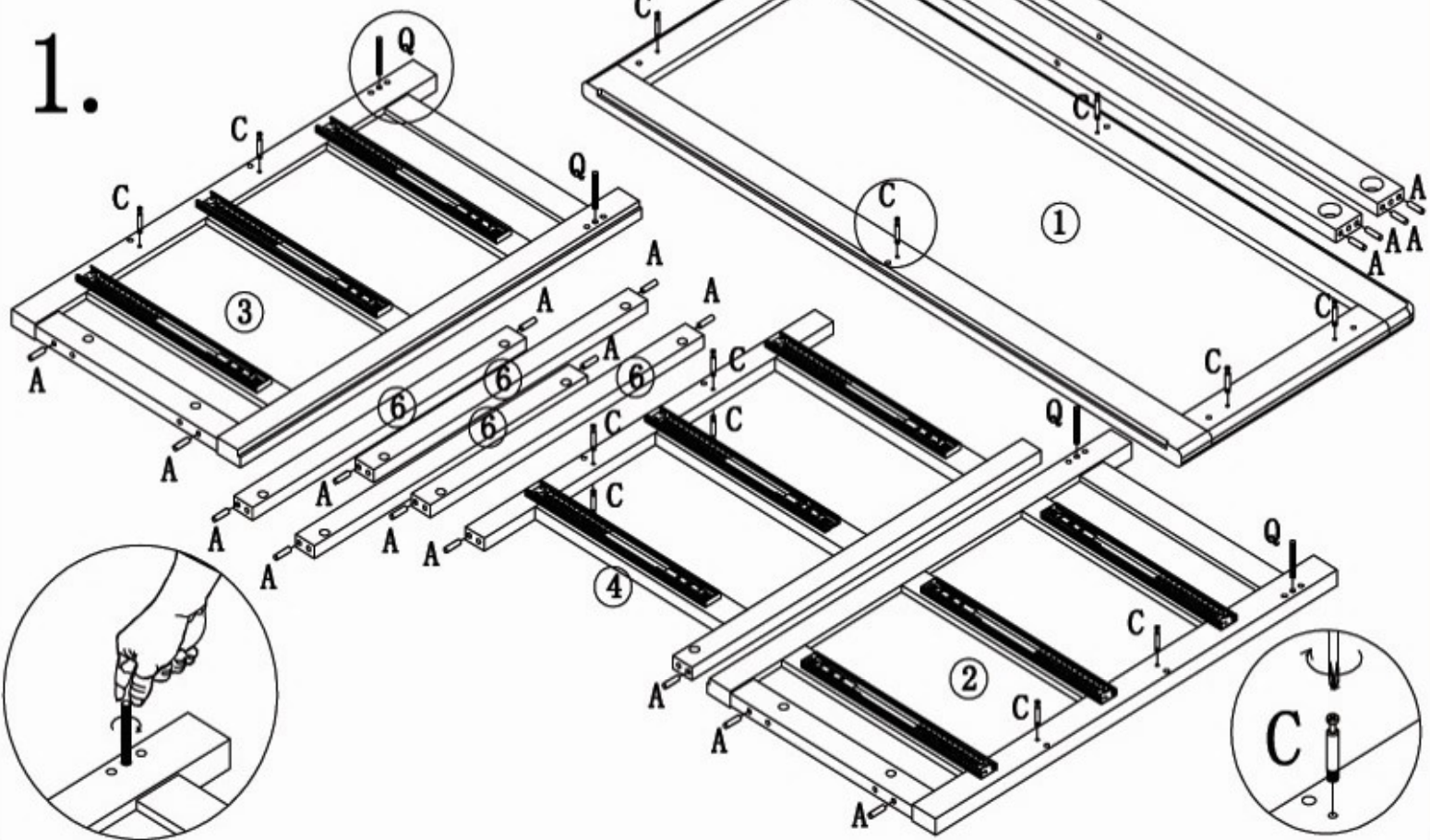


Mx22 PCS





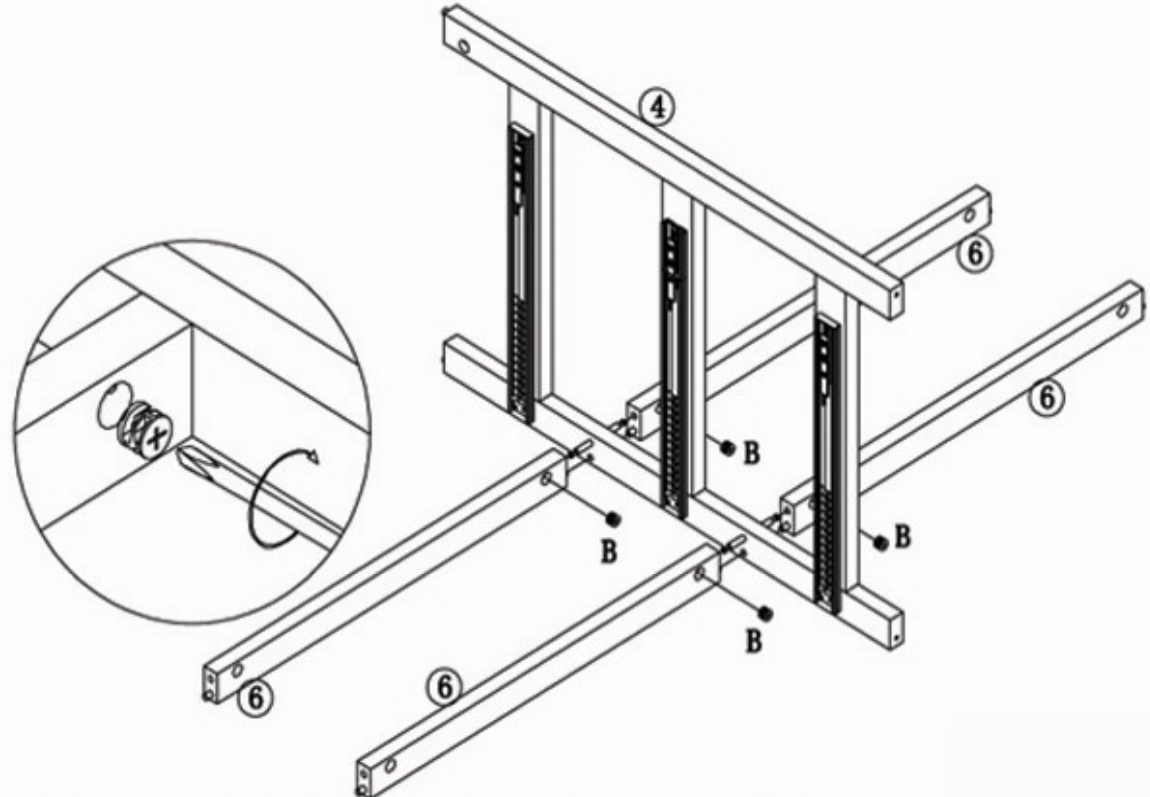
# 1.



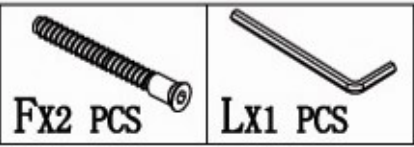
- Start by screwing in Cx14 pins into screw holes provided in Parts 1, 2, 3 and 4.
- Then insert Ax22 wooden dowels into the holes in Parts 2, 3, 4, 5 and 6.
- Screw in Qx4 screws into the middle hole at the bottom of Parts 2 and 3.



# 2.

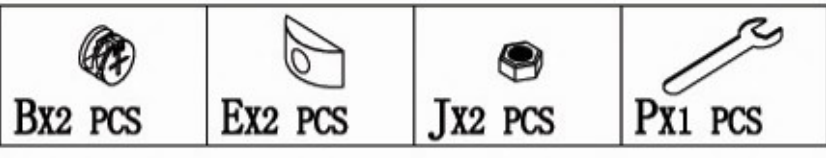
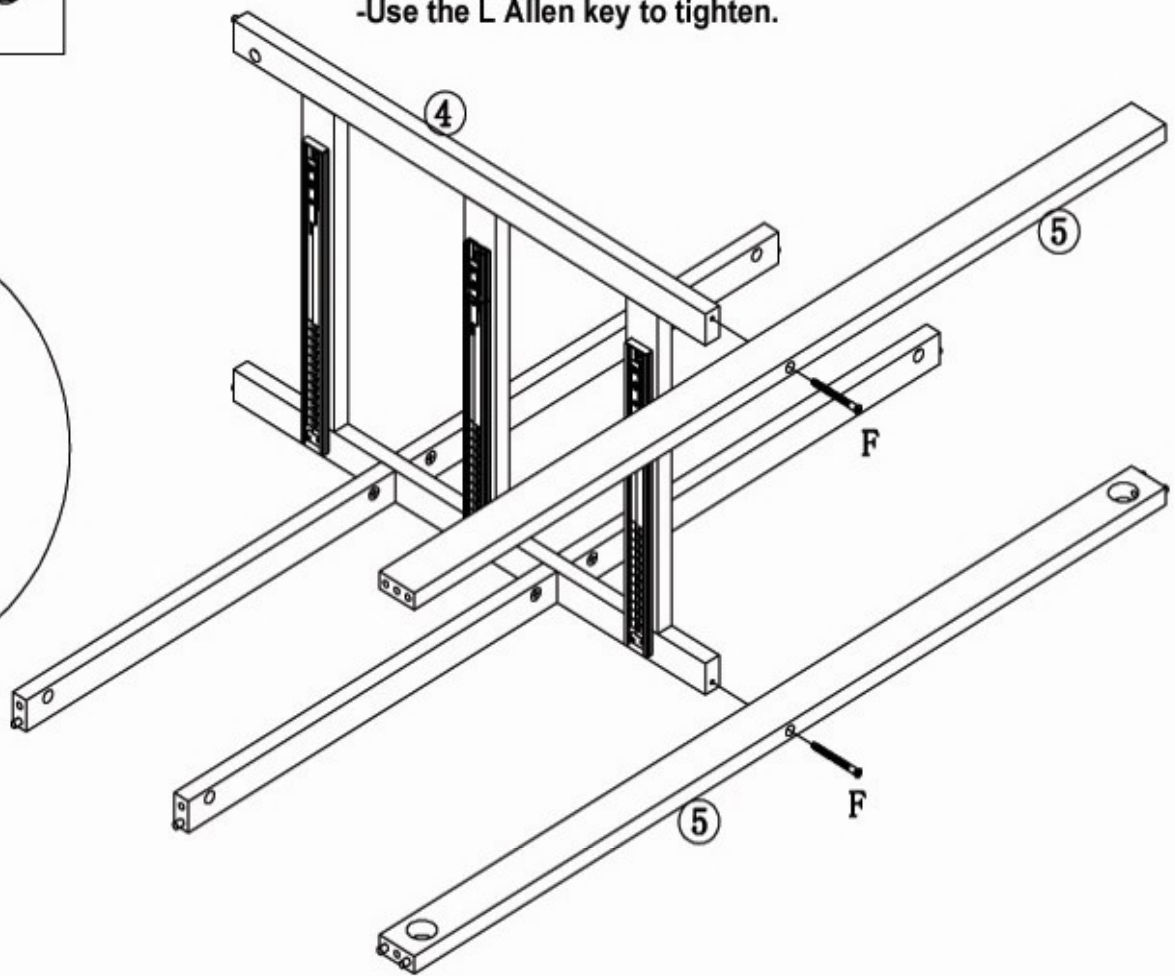
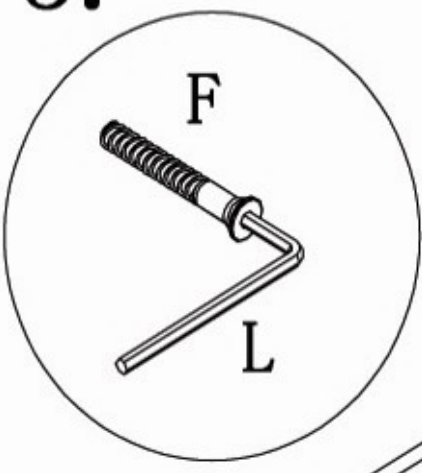


- Place Part 4 upright in between 4x Part 6, using Bx4 locking screws to fasten Parts 6 to Part 4 (do not overtighten B locking screws)

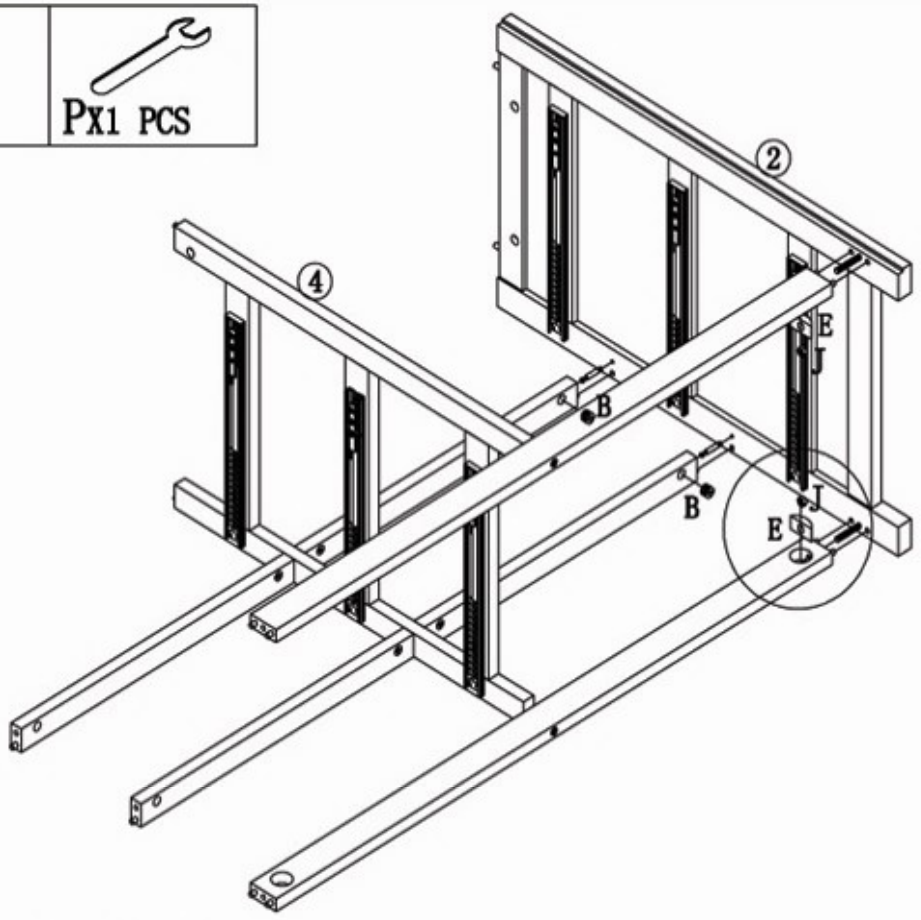
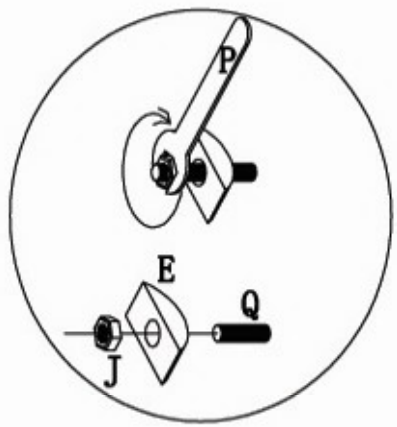


-Using Fx2 screws secure Parts 5 to the bottom of Part 4  
 -Use the L Allen key to tighten.

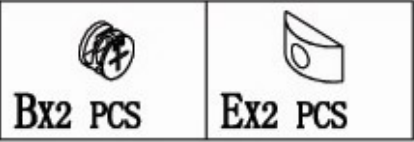
3.



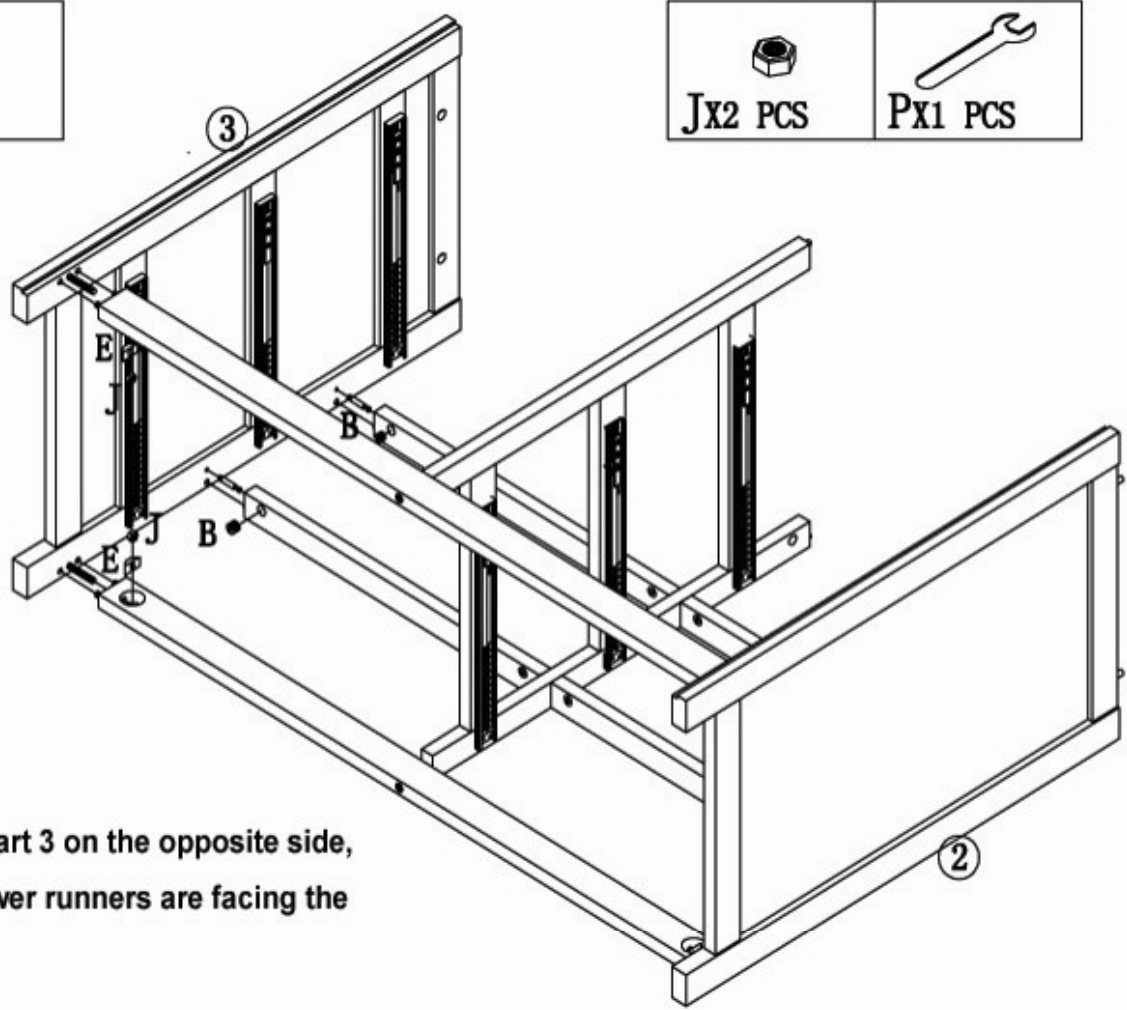
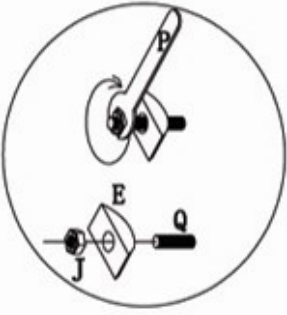
4.



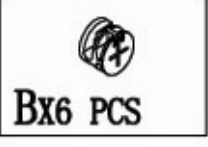
-Line up screws on Part 2 with holes in Parts 5 and 6  
 -Using Bx2 locking screws tighten and secure Parts 6 to Part 2.  
 -Then place Ex2 spacers over Q screws in Parts 5, & use Jx2 to tighten Parts 5 and 2 together.



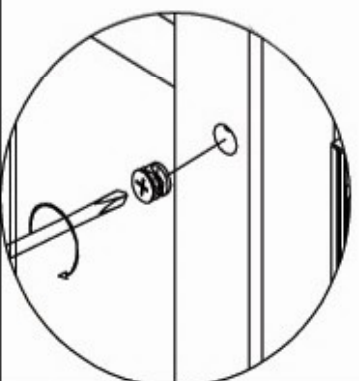
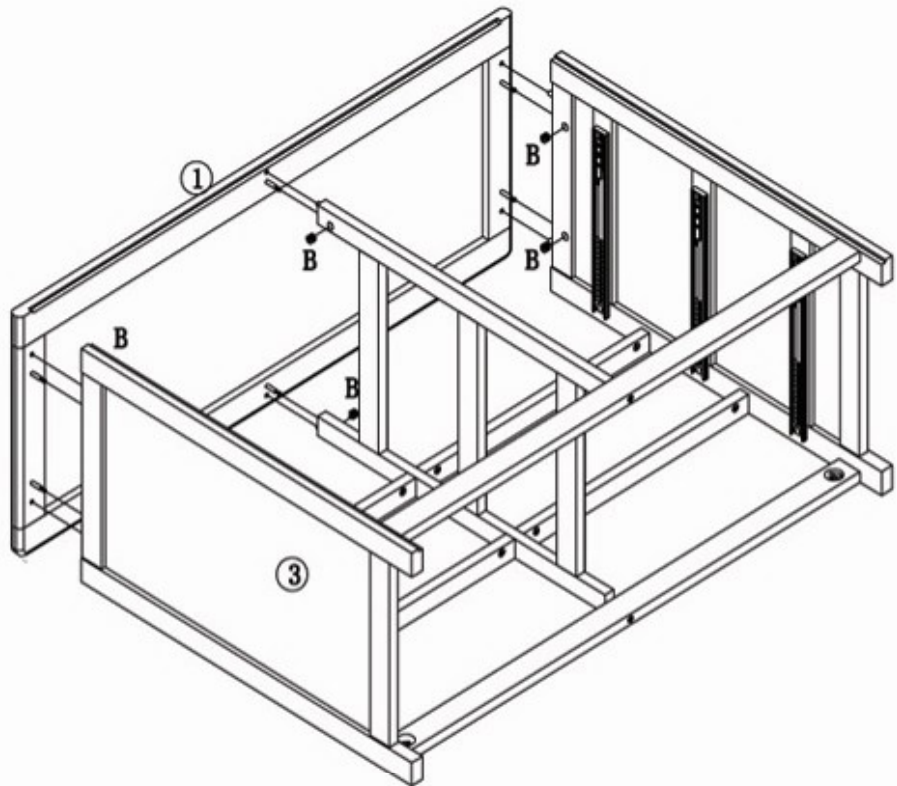
5.



-Repeat Step 4 for Part 3 on the opposite side, making sure all Drawer runners are facing the same way.



6.

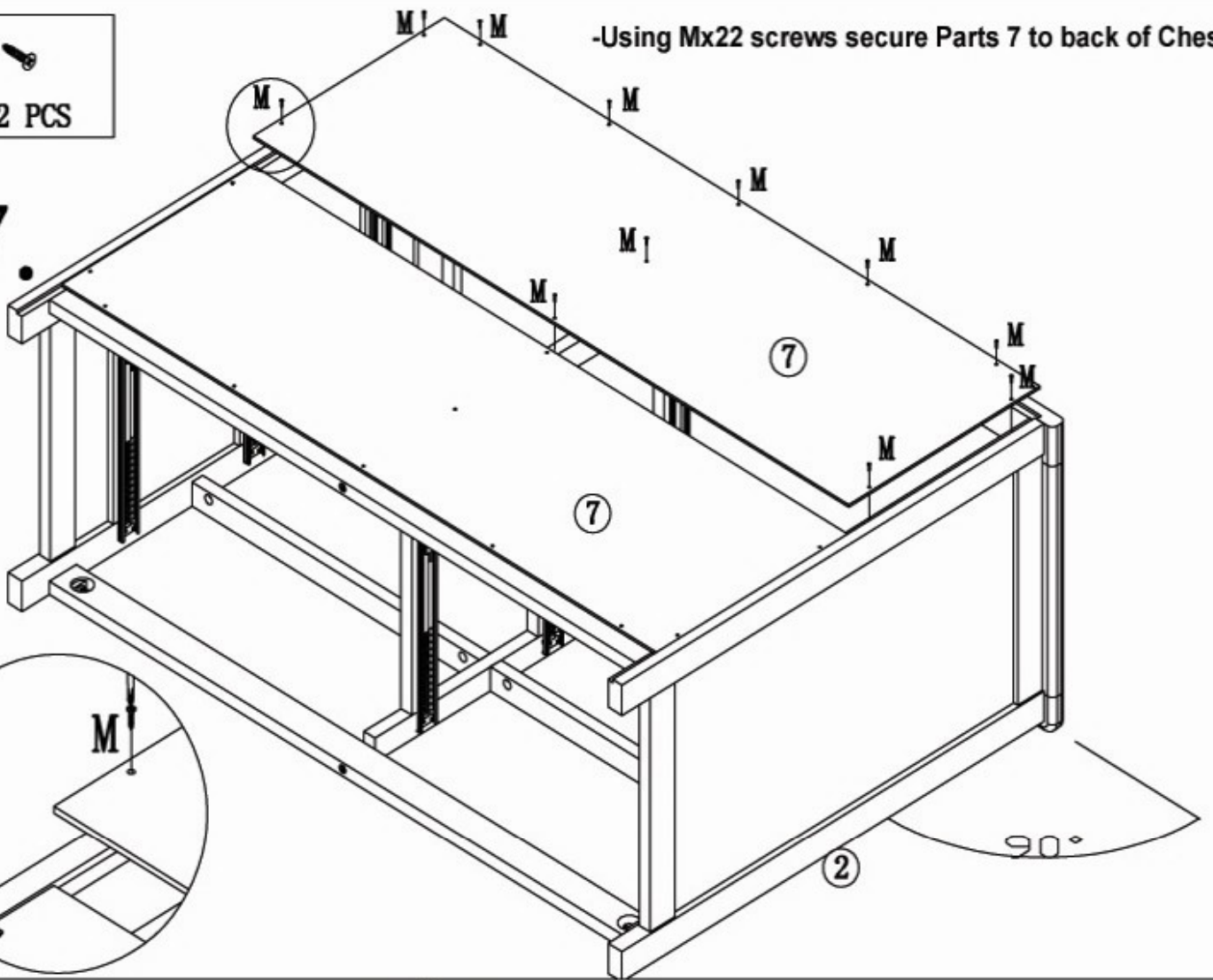


-Stand Unit up right & lower the pins from Part 1 into holes provided in Parts 2, 3 and 4.  
-Using Bx6 screws lock Part 1 into place making sure top is flush with the rest of the Unit

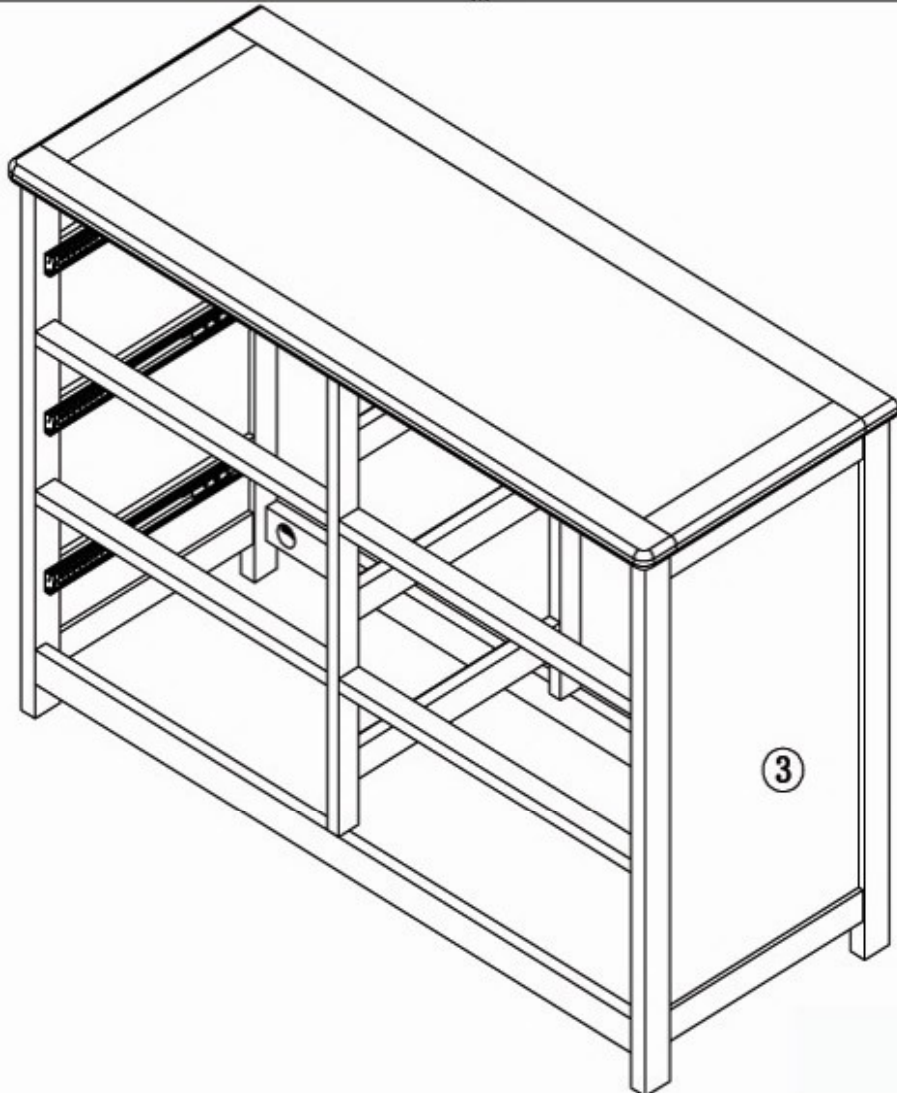


-Using Mx22 screws secure Parts 7 to back of Chest.

7.

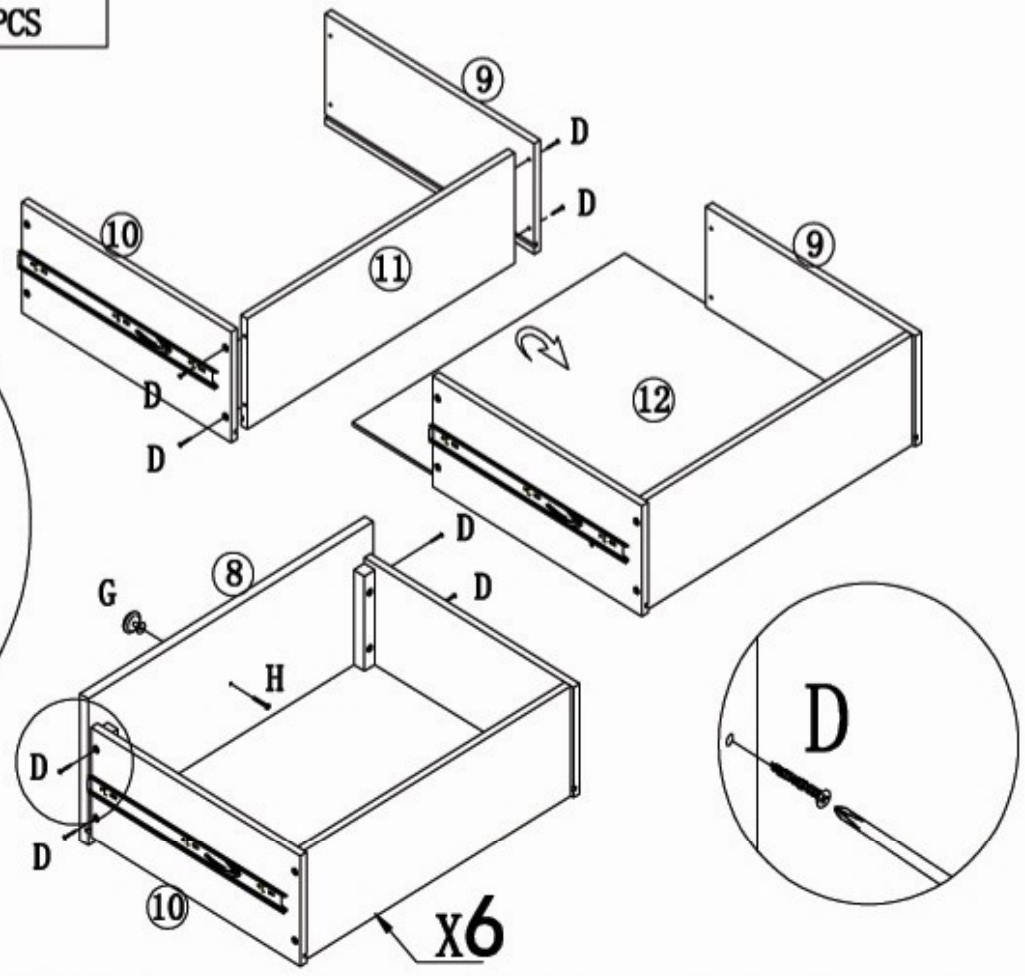
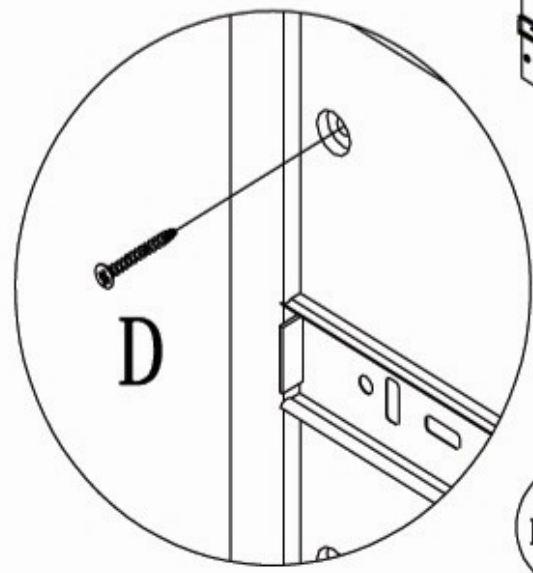


8.



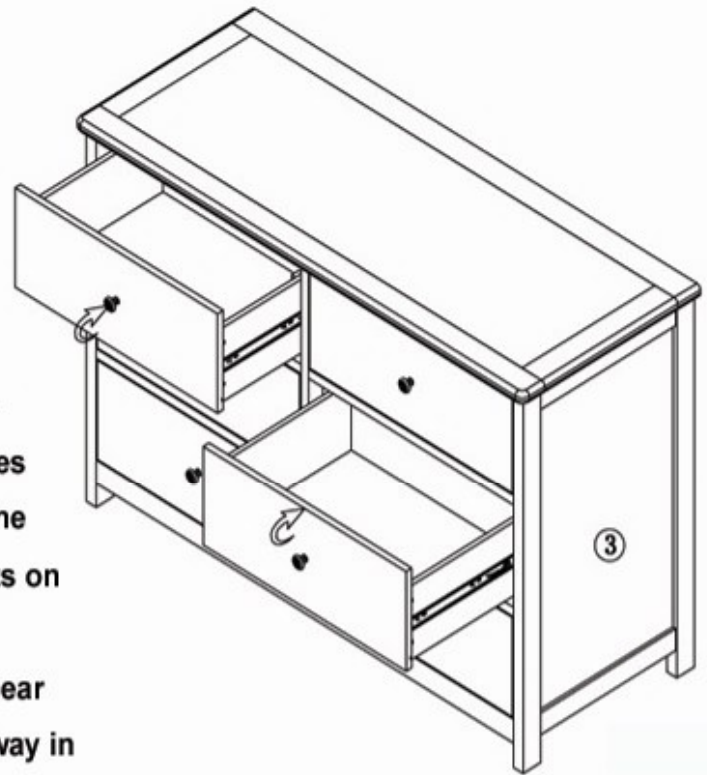
 Dx48 PCS	 Hx6 PCS	 Gx6 PCS
---	---	---

# 9.



- Using Dx4 screws attach Parts 9 and 10 to Part 11 by screwing through the holes provided, making sure the grooves on the inside of the Drawer match up and are in line.
- Then slide in Part 12 into the grooves provided. Make sure that Part 12 is firmly & evenly placed.
- Attach the G handle onto Part 8 using Hx1 screw, & then line up the groove on Part 8 with Part 12. Screw Part 8 onto Parts 9 & 10 using Dx4 screws.
- Repeat this step for all Drawers.

# 10.



- To insert the Drawers, it helps to pull the runners on both sides of the Chest out, then line up the rails on the Drawer to the tracks on the Chest.
- Slide in the Drawer until you hear 2 clicks and then push all the way in