

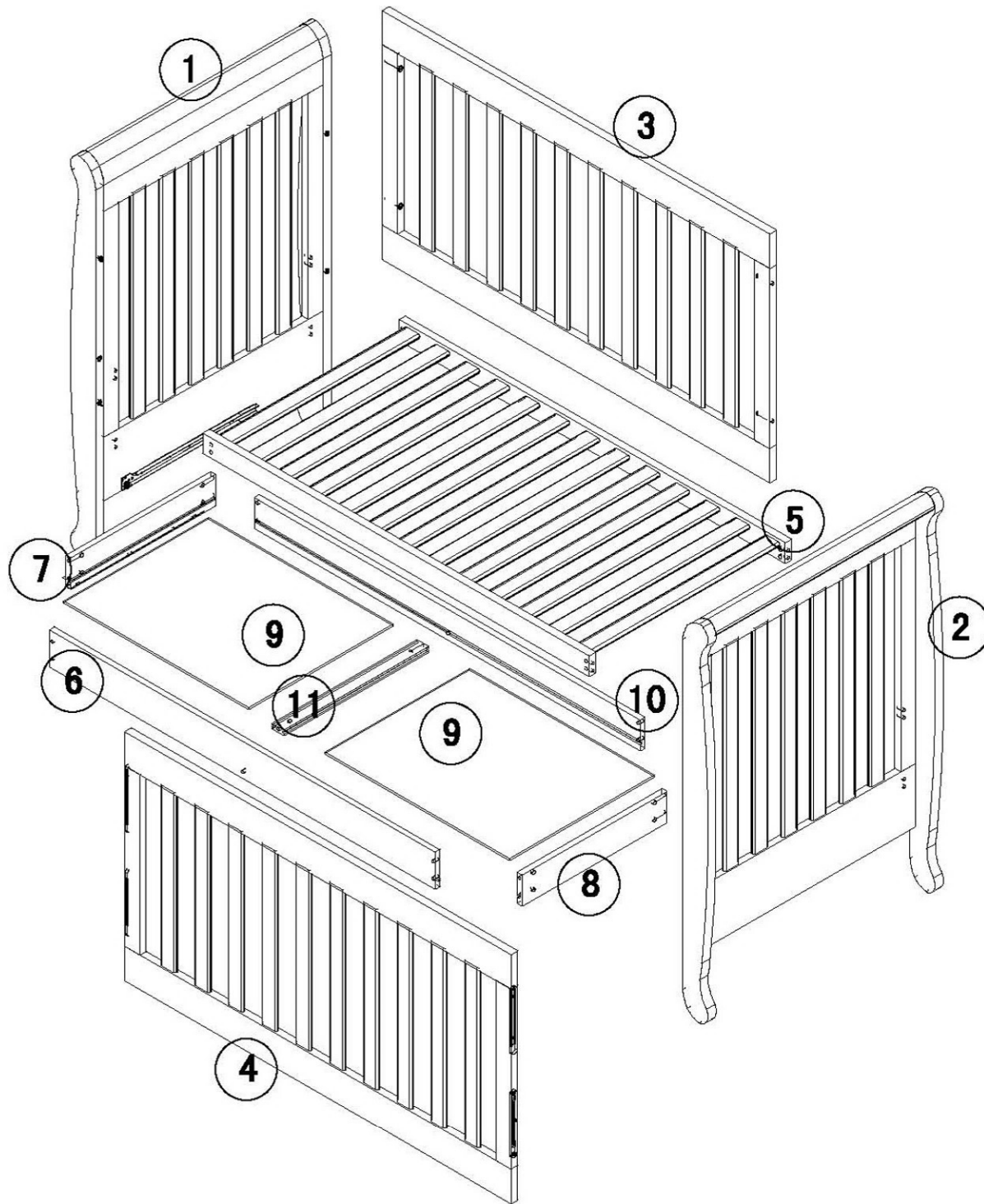


ASSEMBLY INSTRUCTIONS



IMPORTER: Cloud 9 Baby Bedrooms Pty Ltd

ADDRESS: 1/75 Araluen Street, Kedron, Qld 4031



Part List

① X 1PC

② X 1PC

③ X 1PC

④ X 1PC

⑤ X 1PC

⑥ X 1PC

⑦ X 1PC

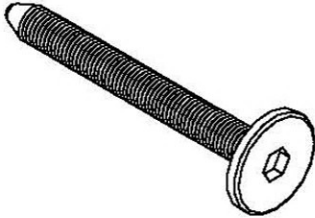
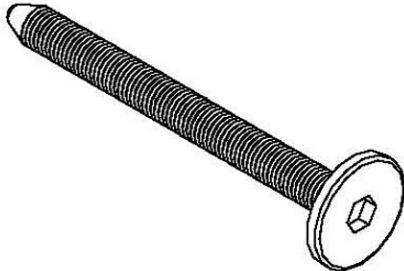
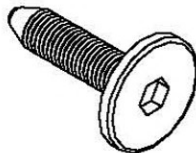
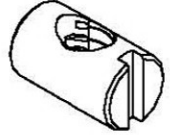
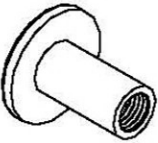
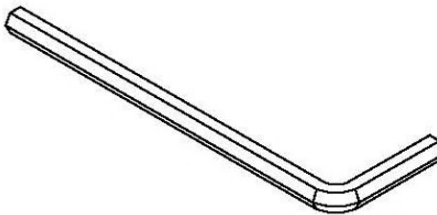
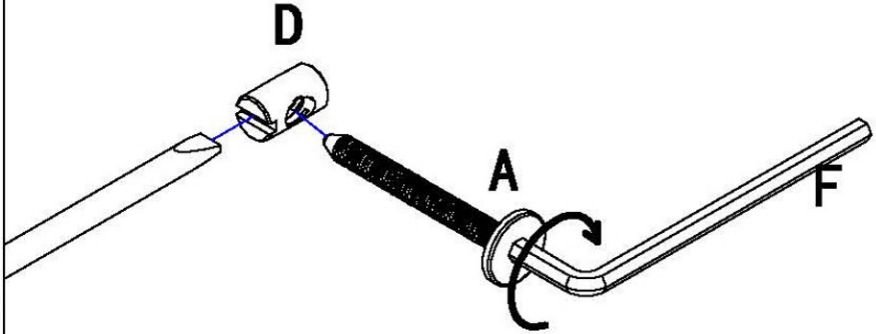
⑧ X 1PC

⑨ X 2PCS

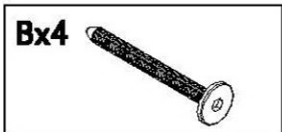
⑩ X 1PC

⑪ X 1PC

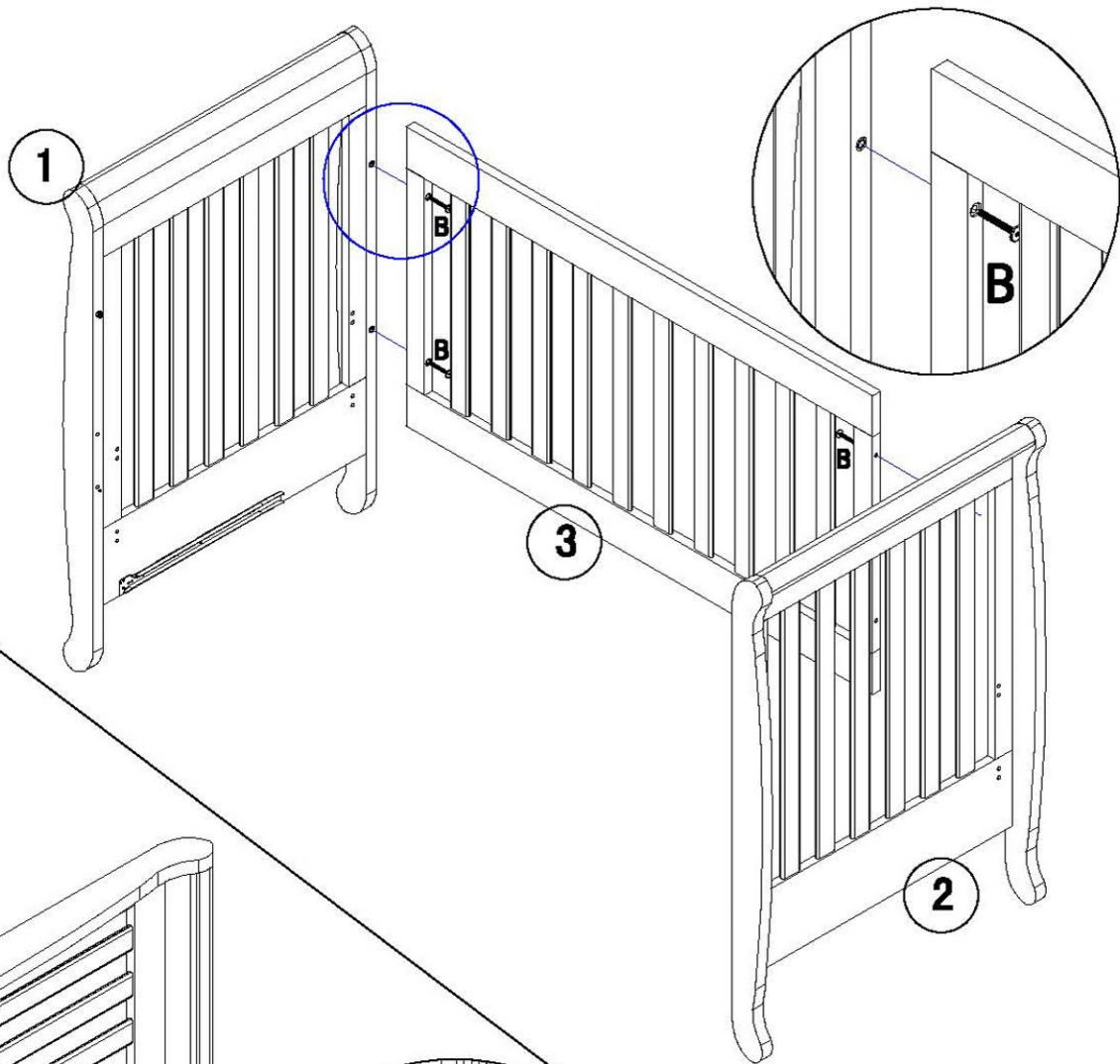
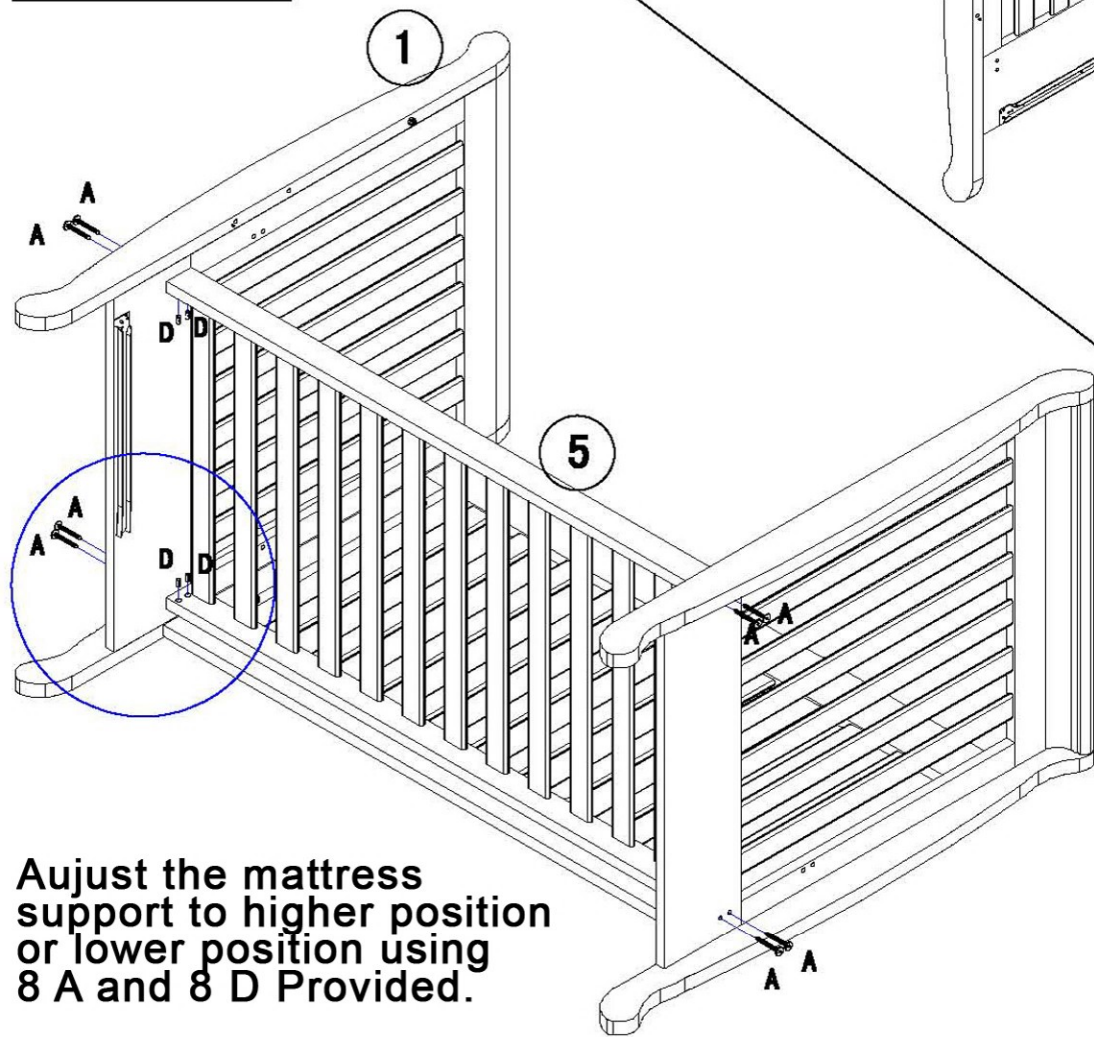
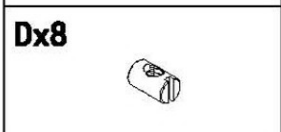
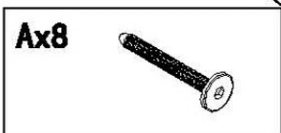
Hard Ware Parts List

<p>A*22</p> 	<p>B*4</p> 	<p>C*8</p> 	<p>D*18</p> 
<p>E*8</p> 	<p>F*2</p> 		

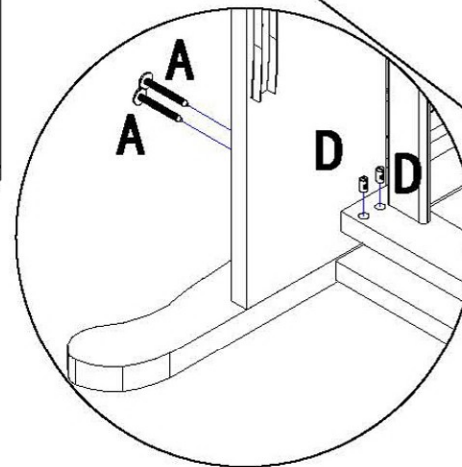
1.



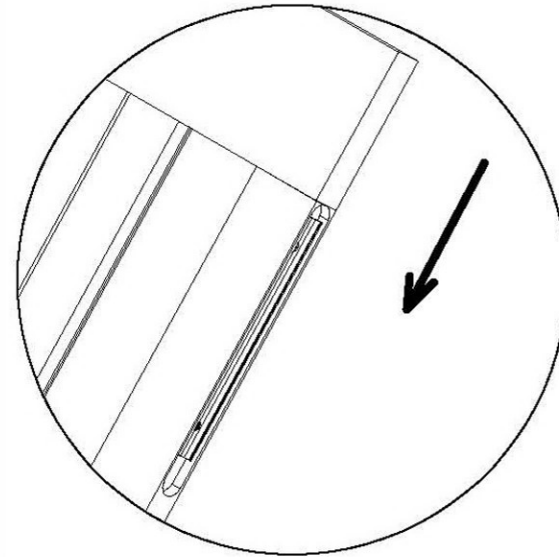
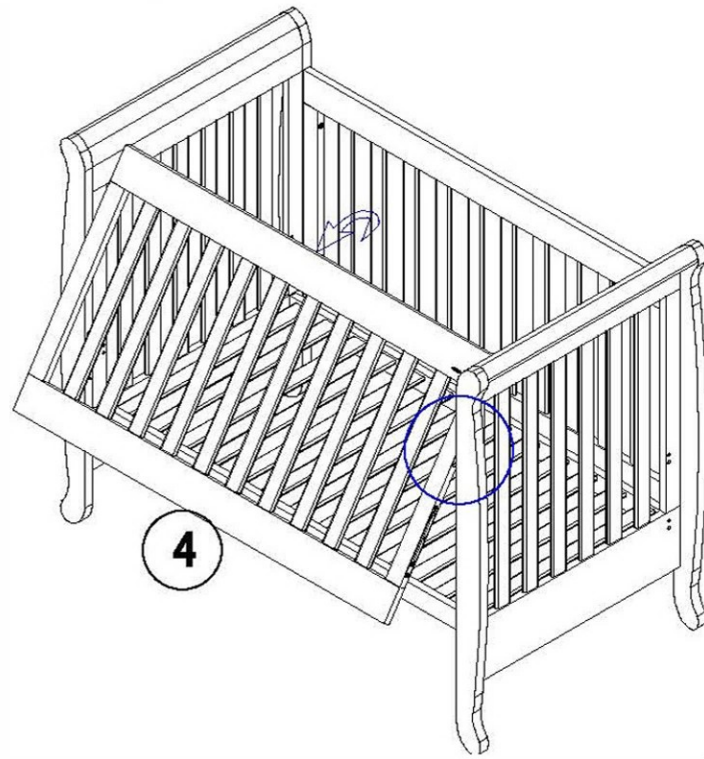
2.



Adjust the mattress support to higher position or lower position using 8 A and 8 D Provided.



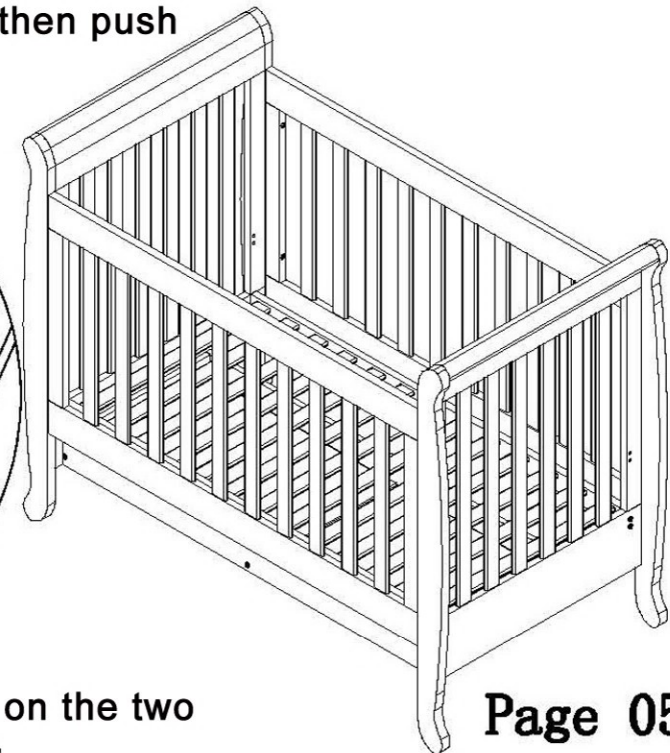
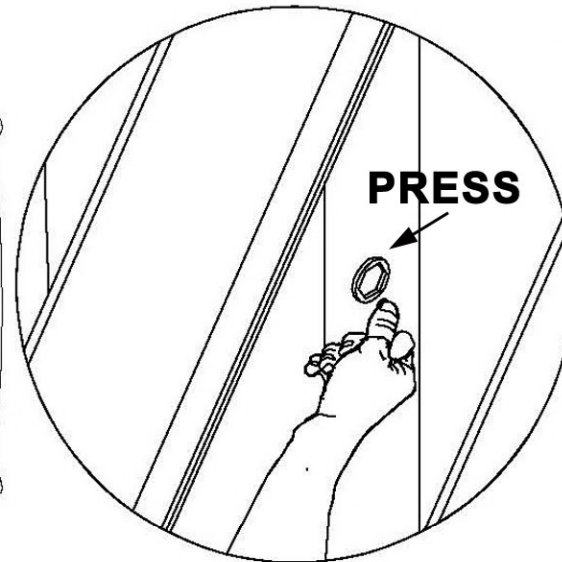
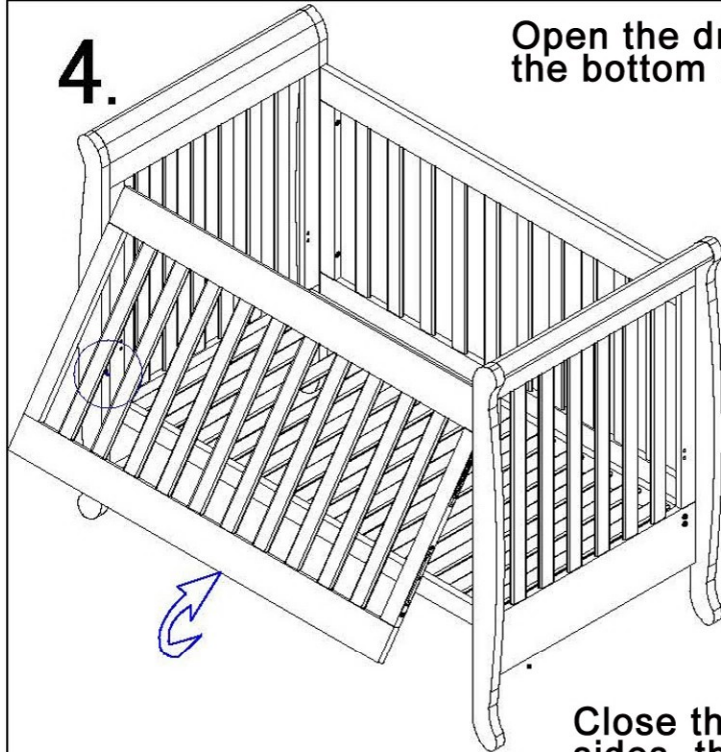
3.



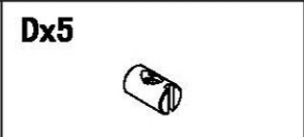
4

4.

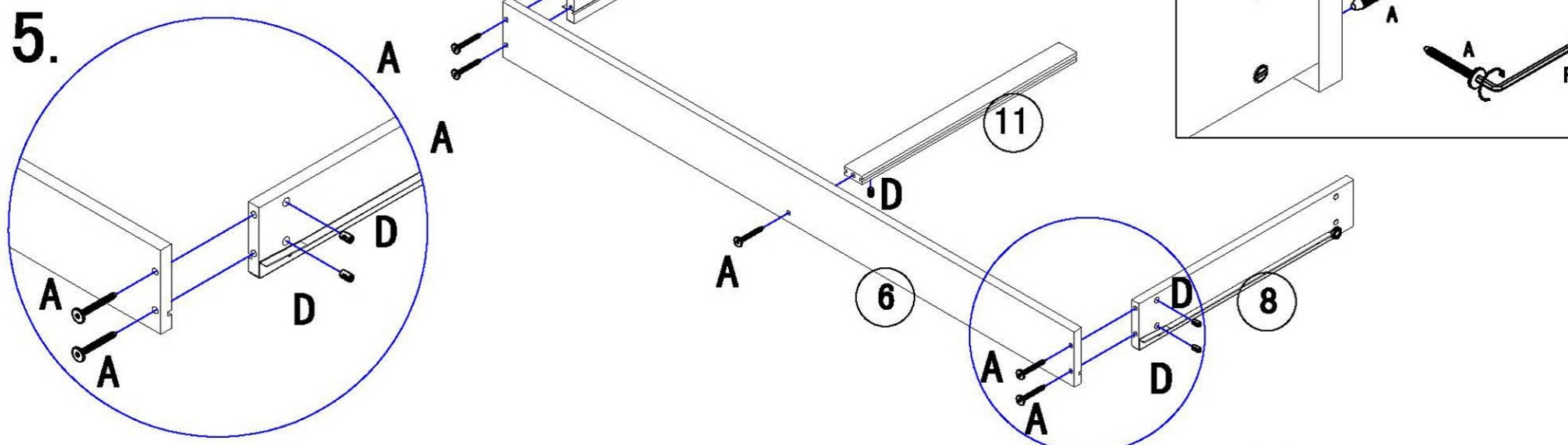
Open the dropside: lift the dropside first, then push the bottom rail of the dropside to open



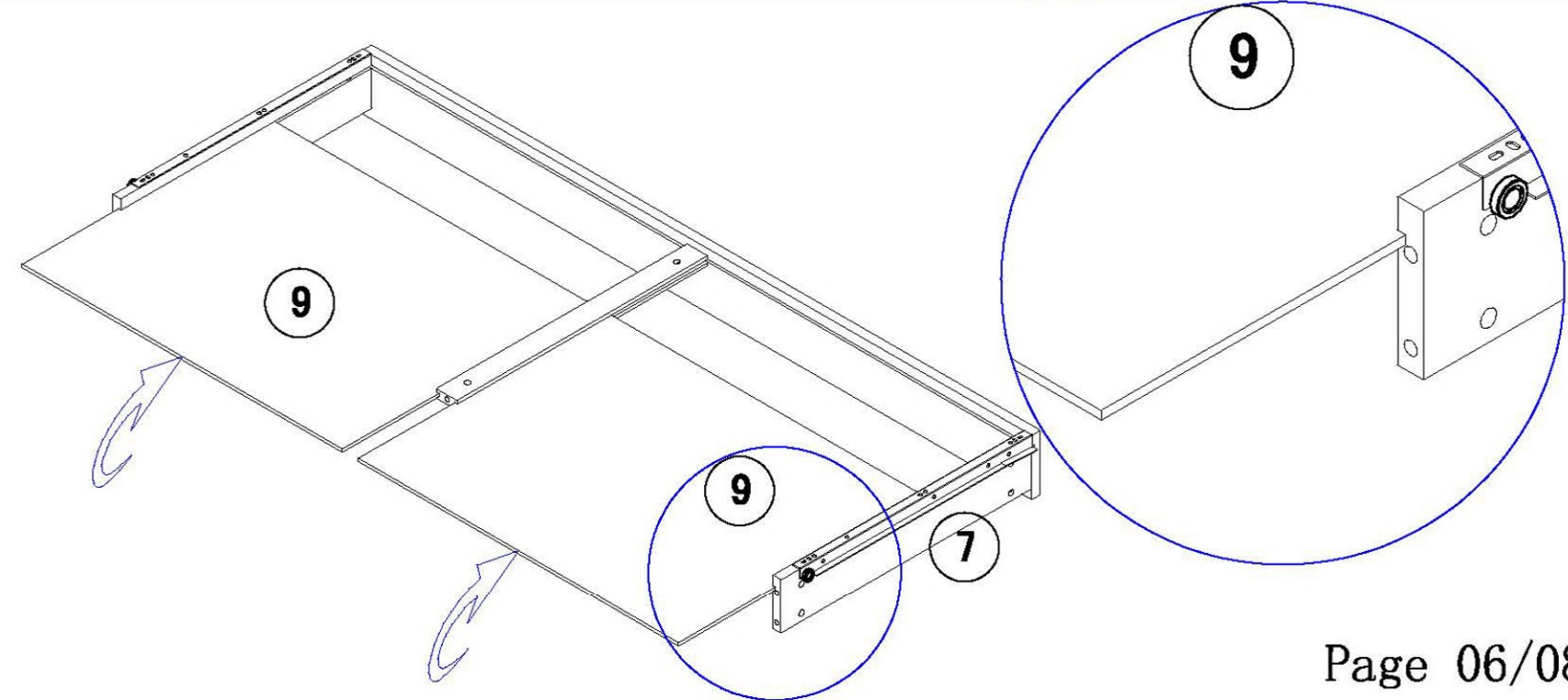
Close the dropside: pull the two locks on the two sides, then lift the dropside to close it.

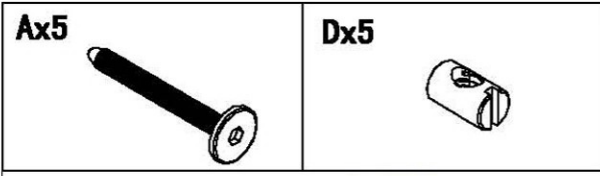


5.

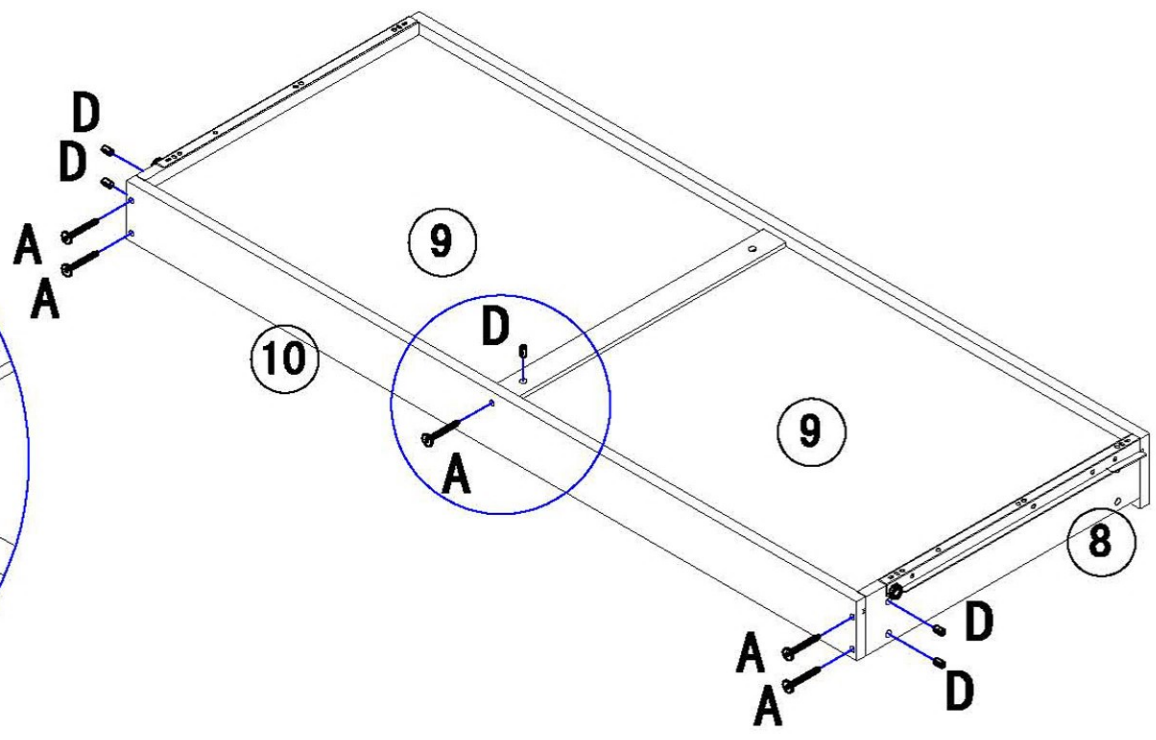
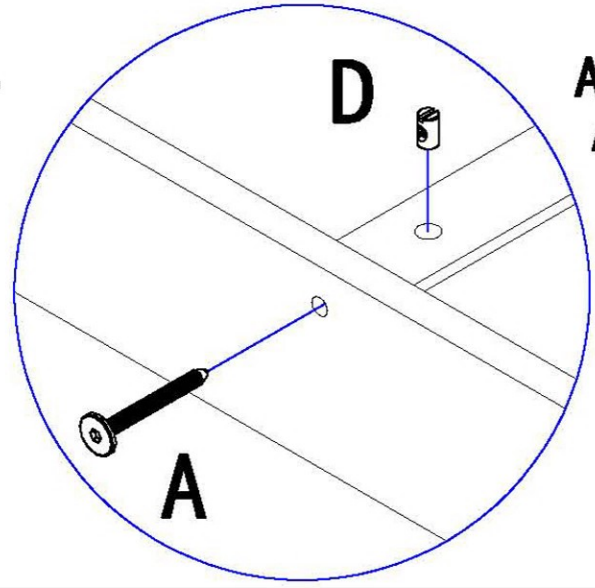


6.





7.



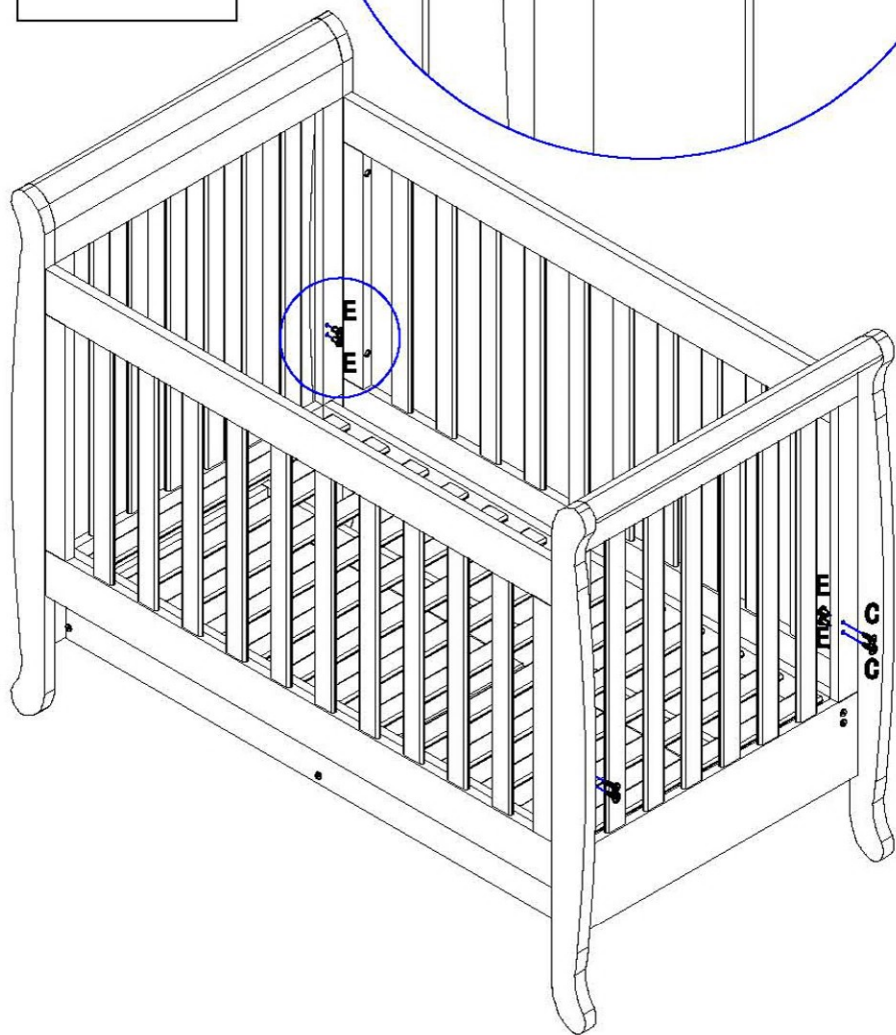
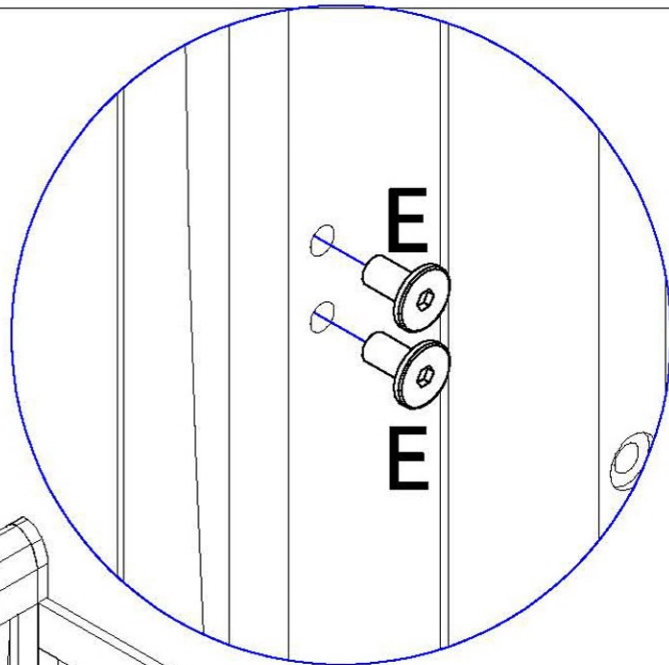
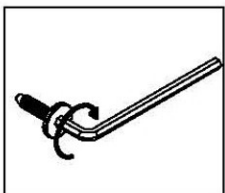
8.



Ex8



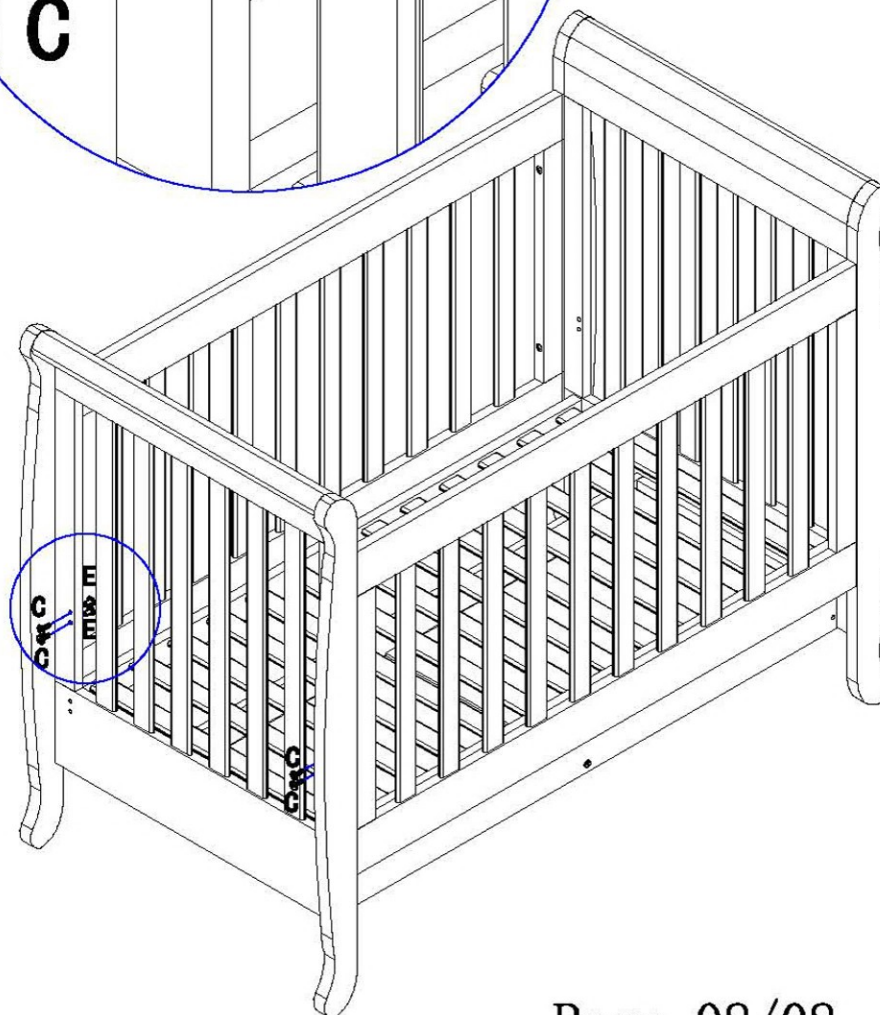
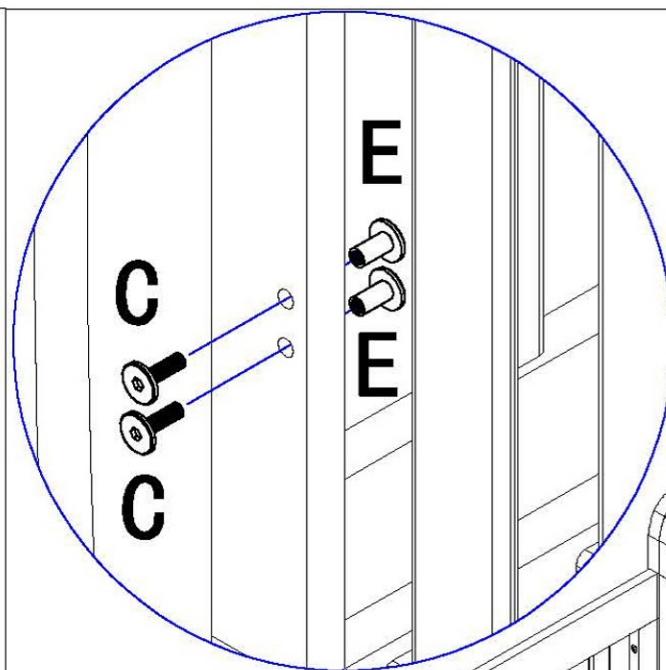
9.



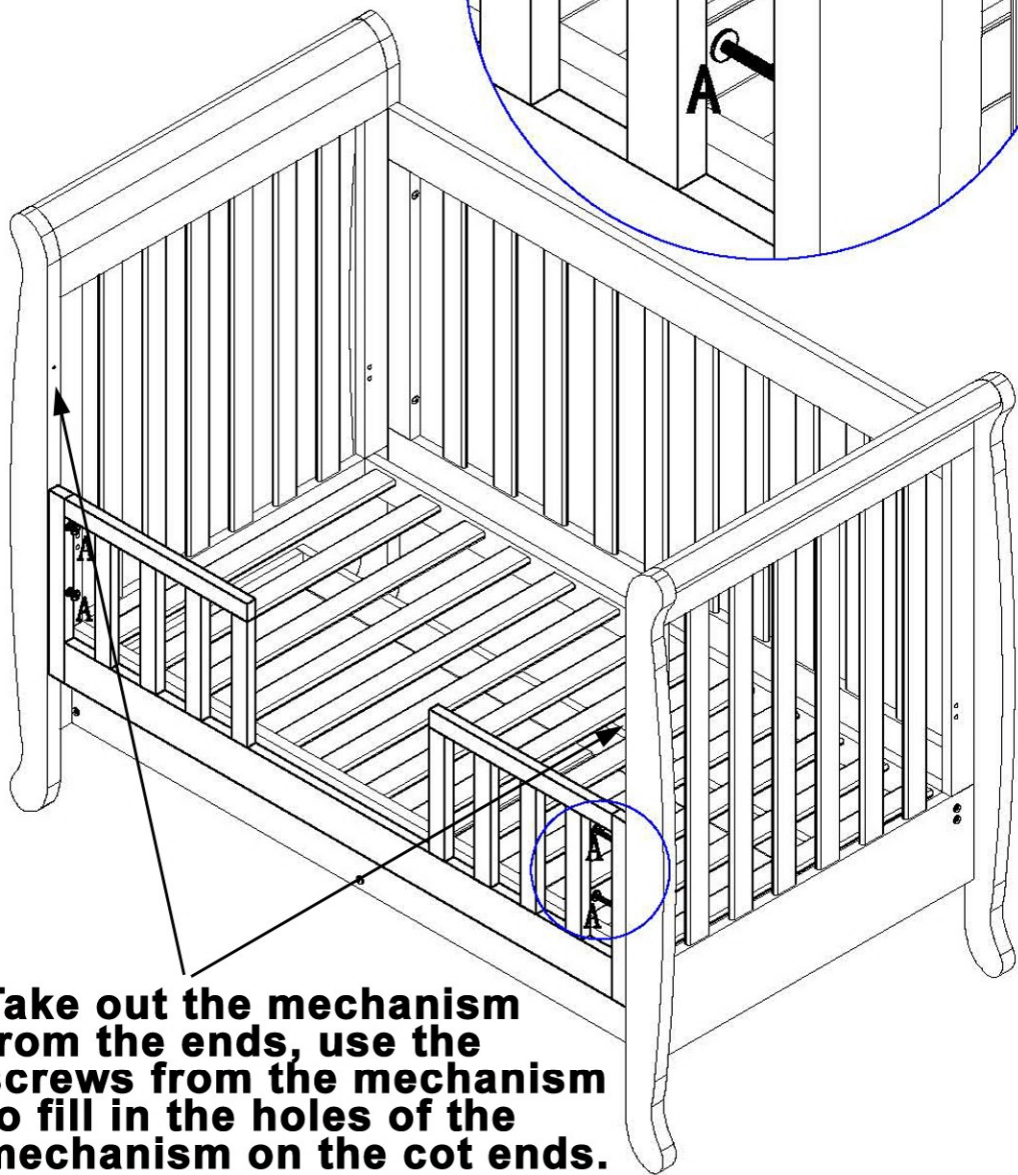
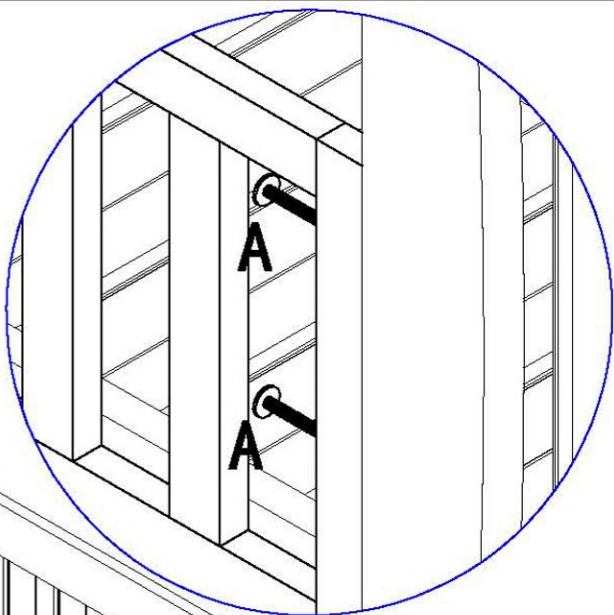
Cx8



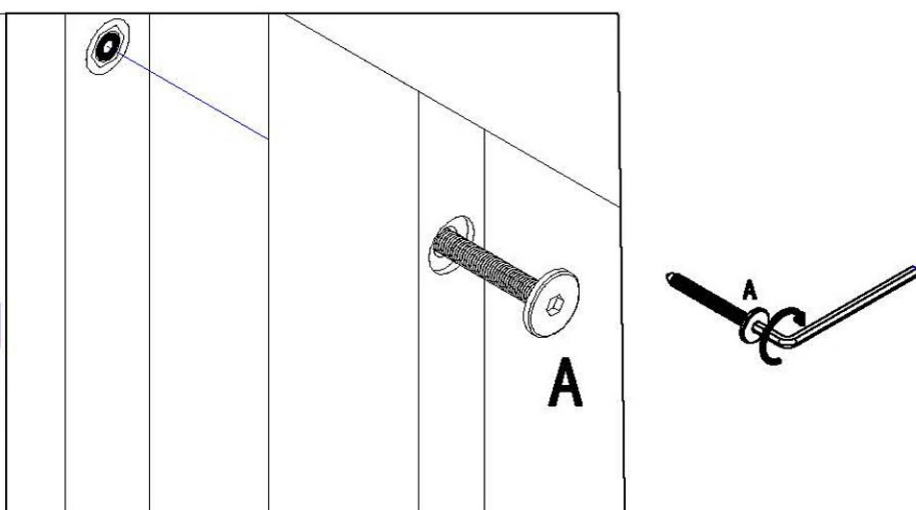
10.



Ax4



Take out the mechanism from the ends, use the screws from the mechanism to fill in the holes of the mechanism on the cot ends.



IN USE:

'RECOMMENDED MATTRESS SIZE This cot has been manufactured for use with a mattress which measures 690mm wide by 1300mm long and 100mm in thickness. The width and length are specified because it is important that the gaps between the mattress and the sides and ends of the cot will not exceed 40mm. This is to minimize the risk of a child's limb becoming caught in the gap. The thickness of the mattress has been specified to ensure that the depth of the cot is greater than 500mm with the mattress base in the lower position to minimize the risk of a child climbing or falling out of the cot.

WARNING: TO PREVENT FALLS, THE MATTRESS BASE OF THIS COT SHOULD BE ADJUSTED TO THE LOWEST POSITION BEFORE THE CHILD CAN SIT UP.

Notes:

- (1) follow the manufacturer's assembly instructions in detail to ensure the safety features of the cot are not compromised;
- (2) ensure the cot is placed at a reasonable distance from curtains, blinds, heaters and power points; and
- (3) keep medication, string, elastic, small toys or small items, such as money, out of reach from any position in the cot.

CARE AND MAINTENANCE

Regularly check for firmness of screws or damage which could render your cot unsafe or cause splinters.

To clean use a damp cloth, avoiding the use of strong detergents or abrasives.