



# ASSEMBLY INSTRUCTIONS

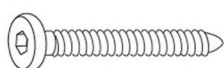


**IMPORTER: Cloud 9 Baby Bedrooms Pty Ltd**

**ADDRESS: 75/193 South Pine Road, Brendale, Queensland, 4500**

# 4 DRAWER CHEST

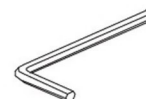
## ASSEMBLY INSTRUCTIONS



**a x 16**



**b x 10**



**c x 1**



**d x 8**



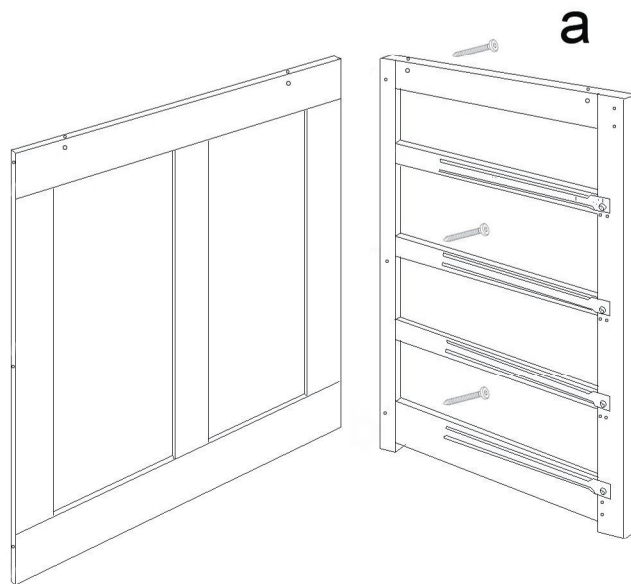
**e x 8**



**f x 40**

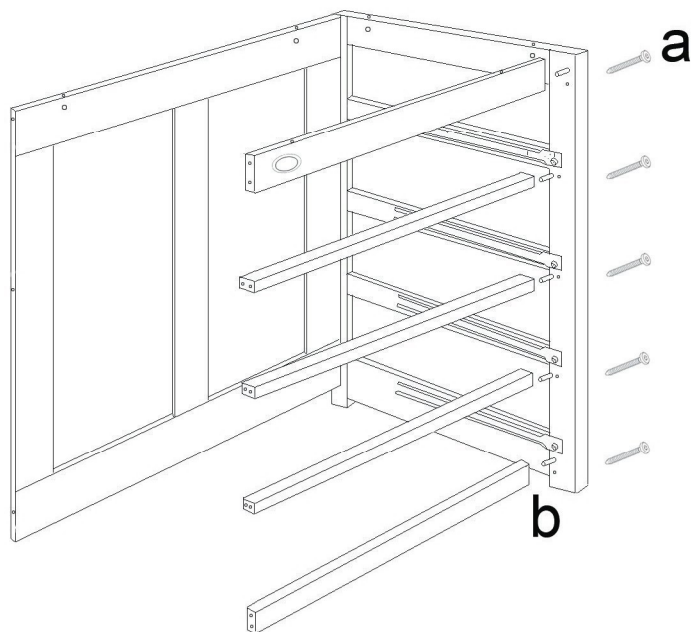


**g x 40**

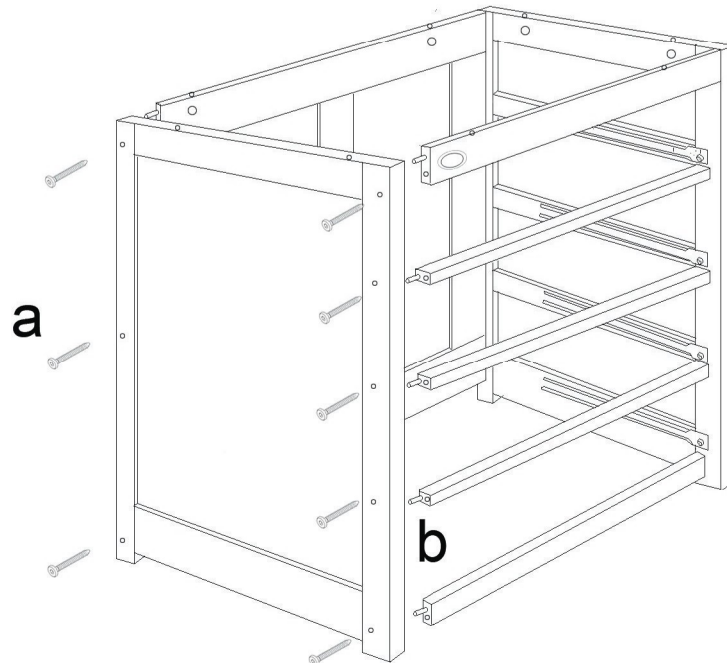


**1. Put the right head board connecting with the back base by bolts(a)**

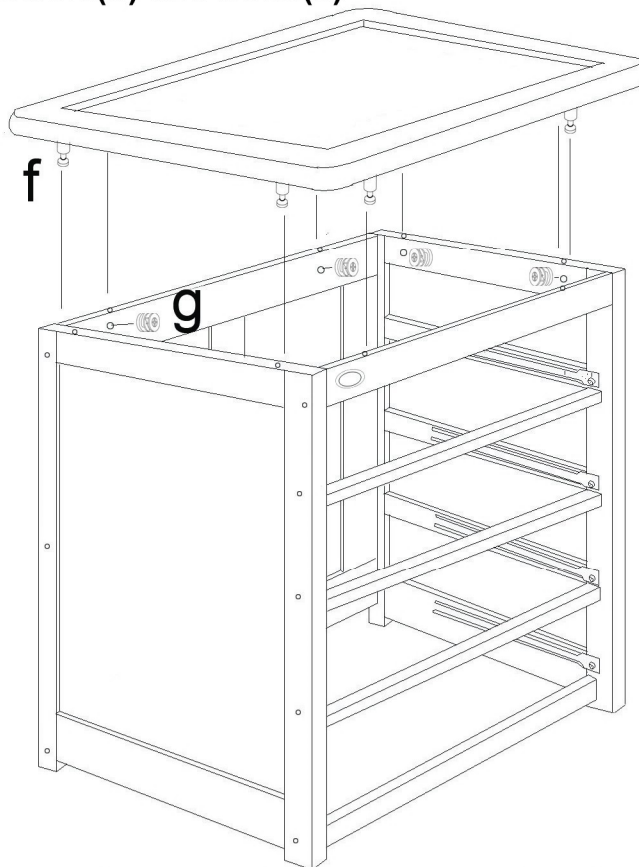
**NOTICE: Don't tighten the screws at first. When all parts are together, then tighten bolts on flat ground.**



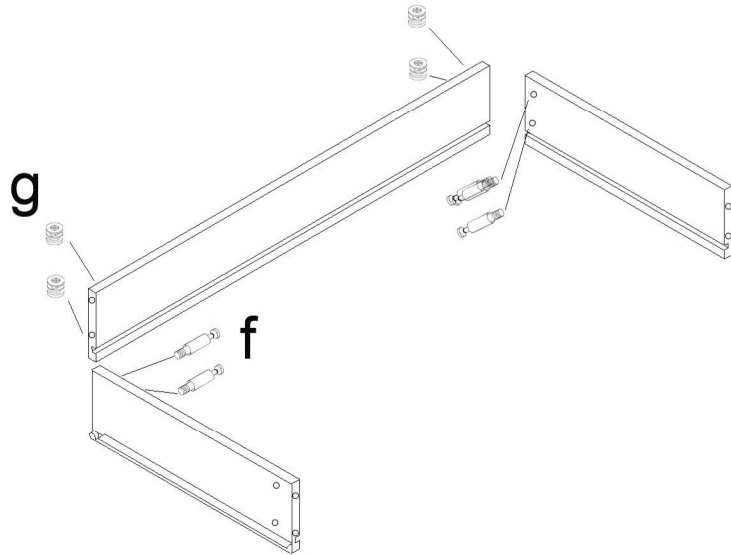
**2. Connect stabilizer bar to right head board with wood dowels(b) and bolts(a)**



**3. Connect back base and stabilizer bars to left head board with wood dowels(b) and bolts(a)**

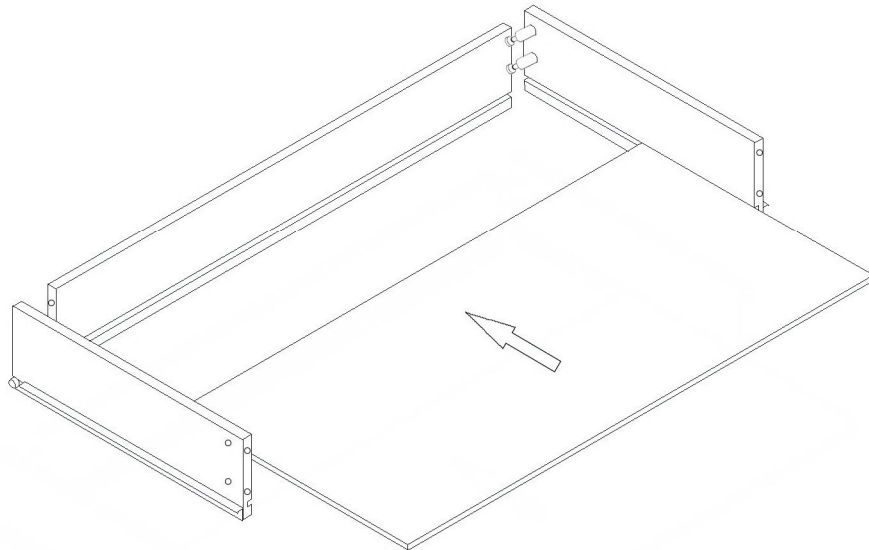


**4. Put the cam bolts(f) into the support base first, then put the support base covering the back base, two head boards and stabilizer bars by cams(g).**



**5. Thread cam bolts(f) into the pre-drilled holes on the side panel and back panel.**

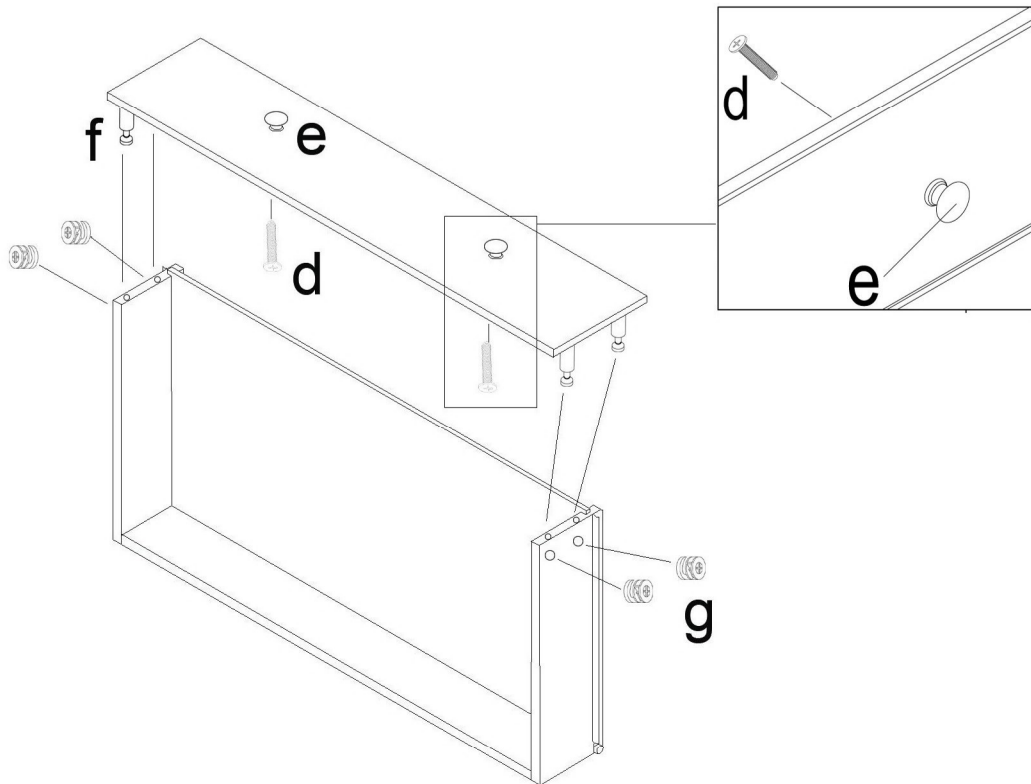
**Insert cams(g) into the holes on side panel and back panel.**



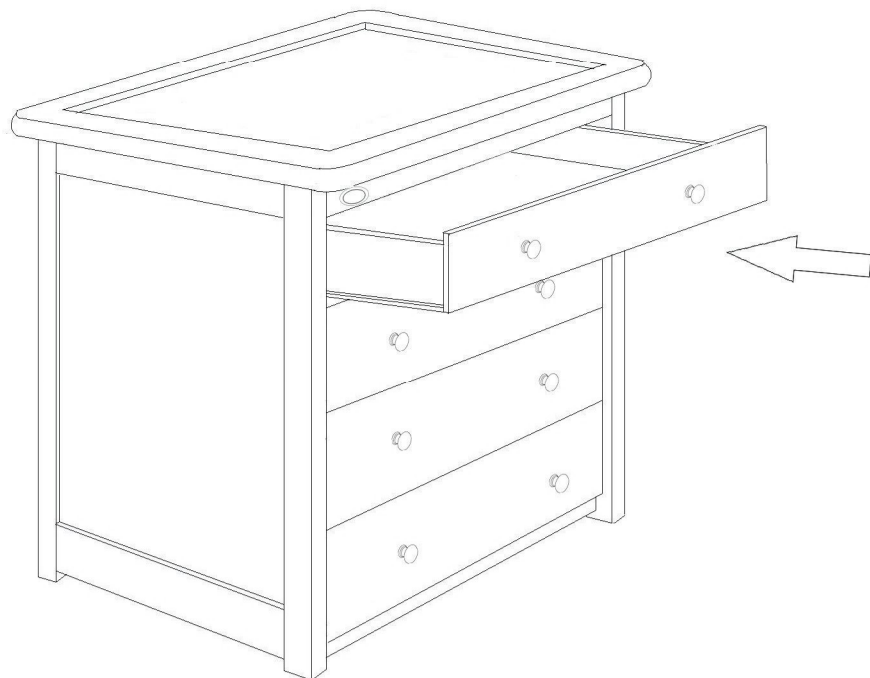
**6. Attach side panel to the back panel by inserting the cam bolts(f) to the end holes of back panel.**

**MAKE SURE the grooves line up and face inside.**

**LOCK the cams(g) in the back panel by turning them.**



- 7.(1) Attach the knob(e) to the front panel of the drawer by screws(d);**  
**(2) Attach the front panel of the drawer to side panel by cam bolts(f);**  
**(3) LOCK the cams(g) in the side panel of the drawer by turning them;**  
**(4) Assemble the rest three drawers follow above steps.**



**8. Slide the drawers into metal rails on head board.**