






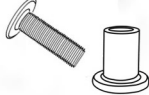
ASSEMBLY INSTRUCTIONS



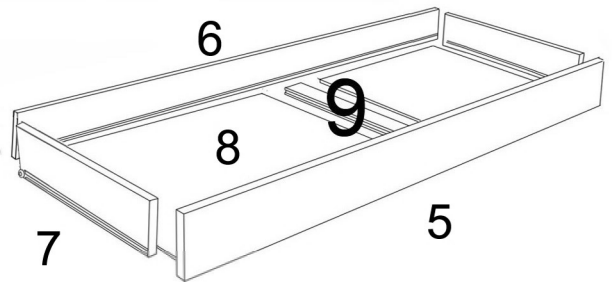
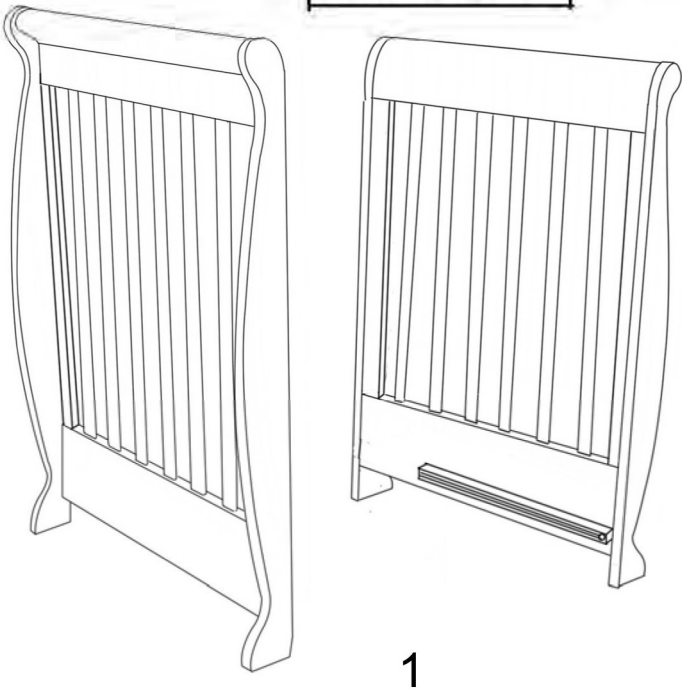
IMPORTER: Cloud 9 Baby Bedrooms Pty Ltd

ADDRESS: 75/193 South Pine Road, Brendale, Queensland, 4500

Hardware and parts list

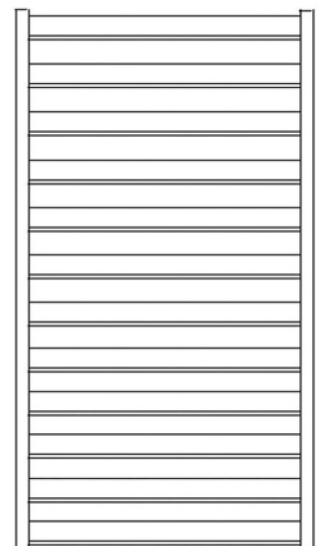
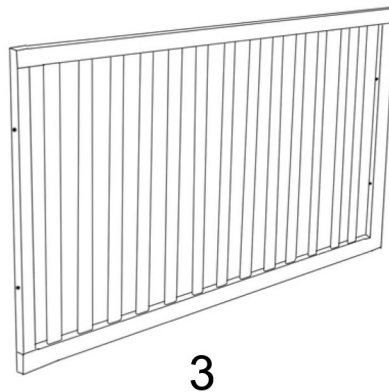
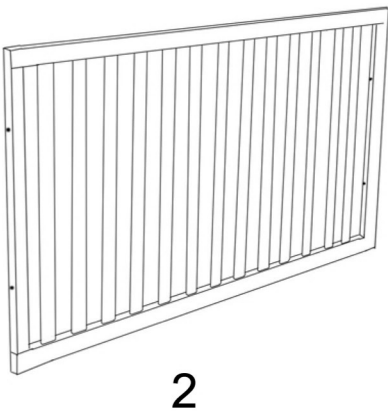
A x 14	B x 22	C x 1	D x 4
			

Side Panel



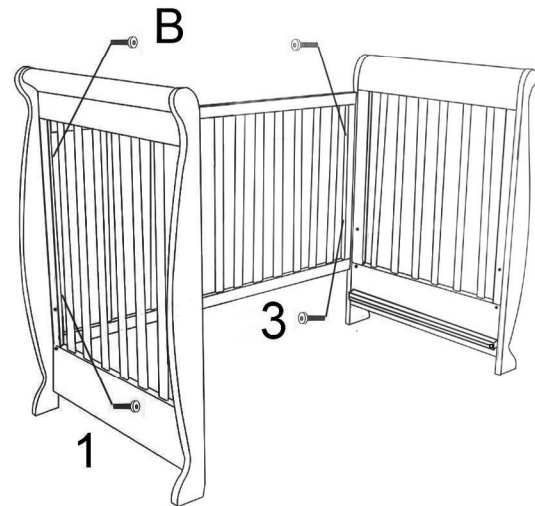
MATTRESS BASE

TWO FIXED SIDES



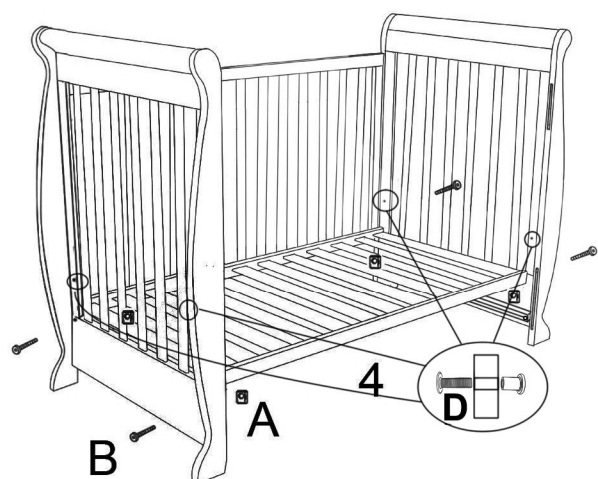
Stage 1:

Assemble the fixed side, connecting the side panel to the two end panels using 4 screws provided.



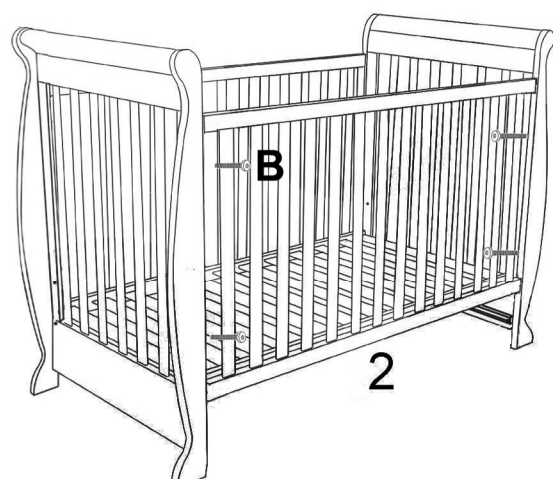
Stage 2:

Assemble the mattress base to the two end panels using 4 screws and 4 connecting bolts provided. Use 4 sets of D to fill any unused holes.



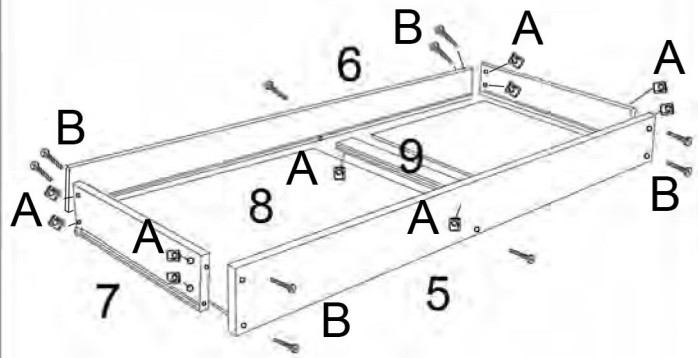
Stage 3:

Assemble another fixed side to the two end panels using 4 screws provided.



Stage 4:

Use 10 screws (B) and 10 connecting bolts (A) to assemble the drawer refer to the photo.



Stage 5:

Push the drawer towards the metal rail which is attached to the headboard.



IN USE:

'RECOMMENDED MATTRESS SIZE This cot has been manufactured for use with a mattress which measures 690mm wide by 1300mm long and 100mm in thickness. The width and length are specified because it is important that the gaps between the mattress and the sides and ends of the cot will not exceed 40mm. This is to minimize the risk of a child's limb becoming caught in the gap. The thickness of the mattress has been specified to ensure that the depth of the cot is greater than 500mm with the mattress base in the lower position to minimize the risk of a child climbing or falling out of the cot.'

WARNING: TO PREVENT FALLS, THE MATTRESS BASE OF THIS COT SHOULD BE ADJUSTED TO THE LOWEST POSITION BEFORE THE CHILD CAN SIT UP.

Notes:

- (1) follow the manufacturer's assembly instructions in detail to ensure the safety features of the cot are not compromised;
- (2) ensure the cot is placed at a reasonable distance from curtains, blinds, heaters and power points; and
- (3) keep medication, string, elastic, small toys or small items, such as money, out of reach from any position in the cot.

CARE AND MAINTENANCE

Regularly check for firmness of screws or damage which could render your cot unsafe or cause splinters.

To clean use a damp cloth, avoiding the use of strong detergents or abrasives.