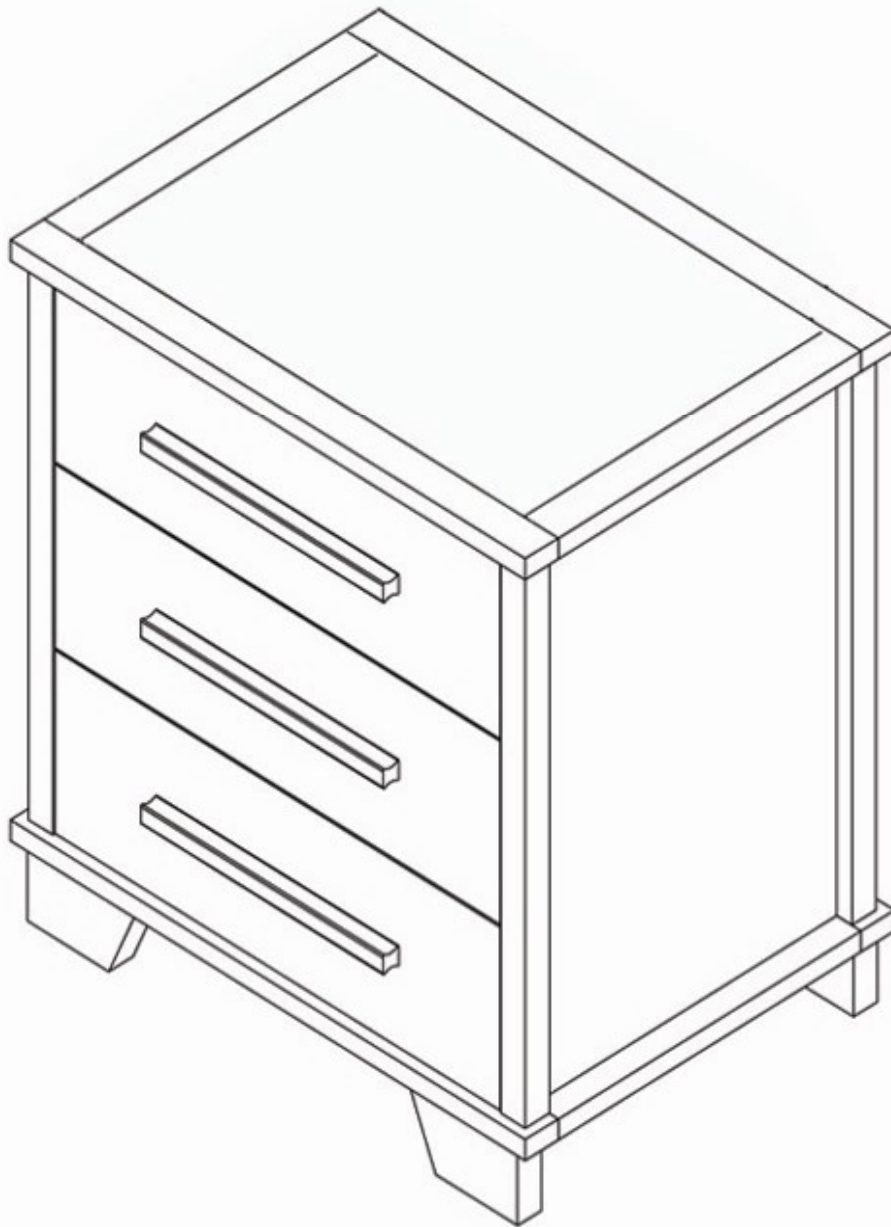




ASSEMBLY INSTRUCTIONS



IMPORTER: Cloud 9 Baby Bedrooms Pty Ltd

ADDRESS: 75/193 South Pine Road, Brendale, Queensland, 4500

Product Care & Maintenance

- When cleaning your product, use a non-toxic, non-abrasive cleaner. Mix a solution of water with a small amount of a mild detergent. Apply to the product's surface with a damp cloth.
- When moving your product without castors/wheels assembled, always lift the unit. Do not push or drag, to avoid damaging the base.
- It is important that the humidity level in the room be controlled from extremes. The product should not be placed direct next to air-conditioning outlets, fire places, radiators, space heaters, humidifiers, or dehumidifiers. Exposure to extreme variations of temperature and humidity can damage wood products.
- Keep the product out of direct sunlight. UV rays may fade colours and in some cases darken them. It can also cause crazing or hair line cracks in the finish. White finishes will darken naturally over time and exposure to direct sunlight will hasten this natural process with some wood darkening. This is not considered to be a quality defect.
- If you need to put your products in storage for any period of time, do not store in a damp or hot environment. Allow air flow around the product, and do not stack anything on it.

Check List

- Always check that the product is free from damage before use. Do not use your product if any damage is present.
- Regularly check that all assembly fittings are always properly tightened and re-tightened as necessary.

After Sales Customer Service

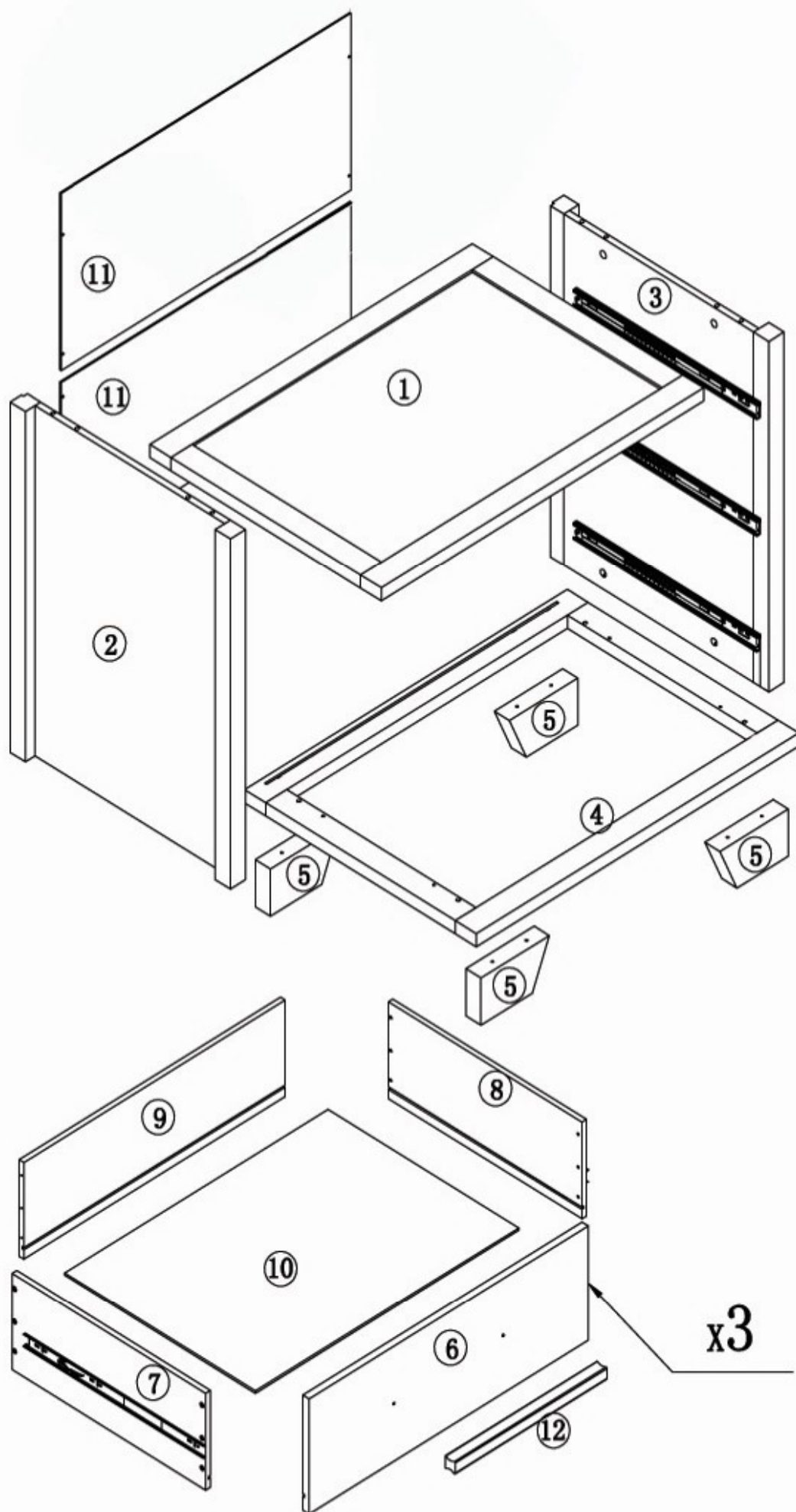
Before you start to assemble your product, first check if there are any missing or damaged parts.

If so, please immediately email us with your Invoice Number, the product name & colour, photos of the damaged parts, and a brief description of the parts that are missing or damaged.

This will enable us to quickly address the problem, and we will contact you by return email.

Note: for assembly tips you can visit our Website www.babycotsonline.com

Quirky Bubba
20A Allied Drive
Tullamarine 3043
Victoria. Australia
Email: aftersales@babycotsonline.com


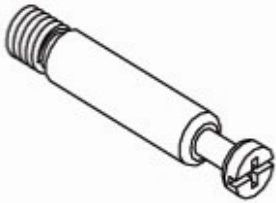






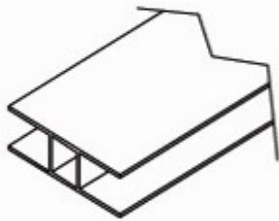


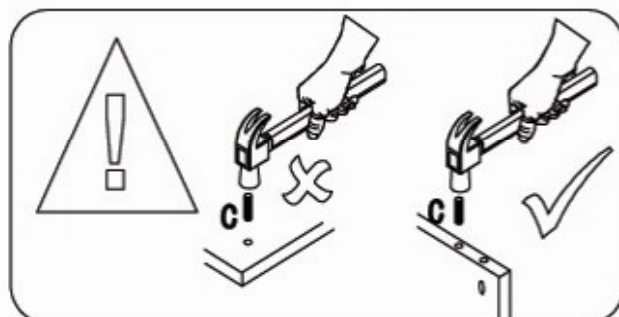
Part List

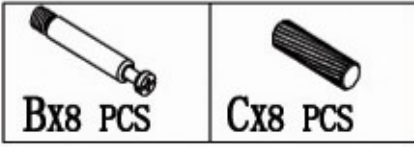
①	①	X	1
②	②	X	1
③	③	X	1
④	④	X	1
⑤	⑤	X	4
⑥	⑥	X	3
⑦	⑦	X	3
⑧	⑧	X	3
⑨	⑨	X	3
⑩	⑩	X	3
⑪	⑪	X	2
⑫	⑫	X	3

x3

Hard Ware Parts List

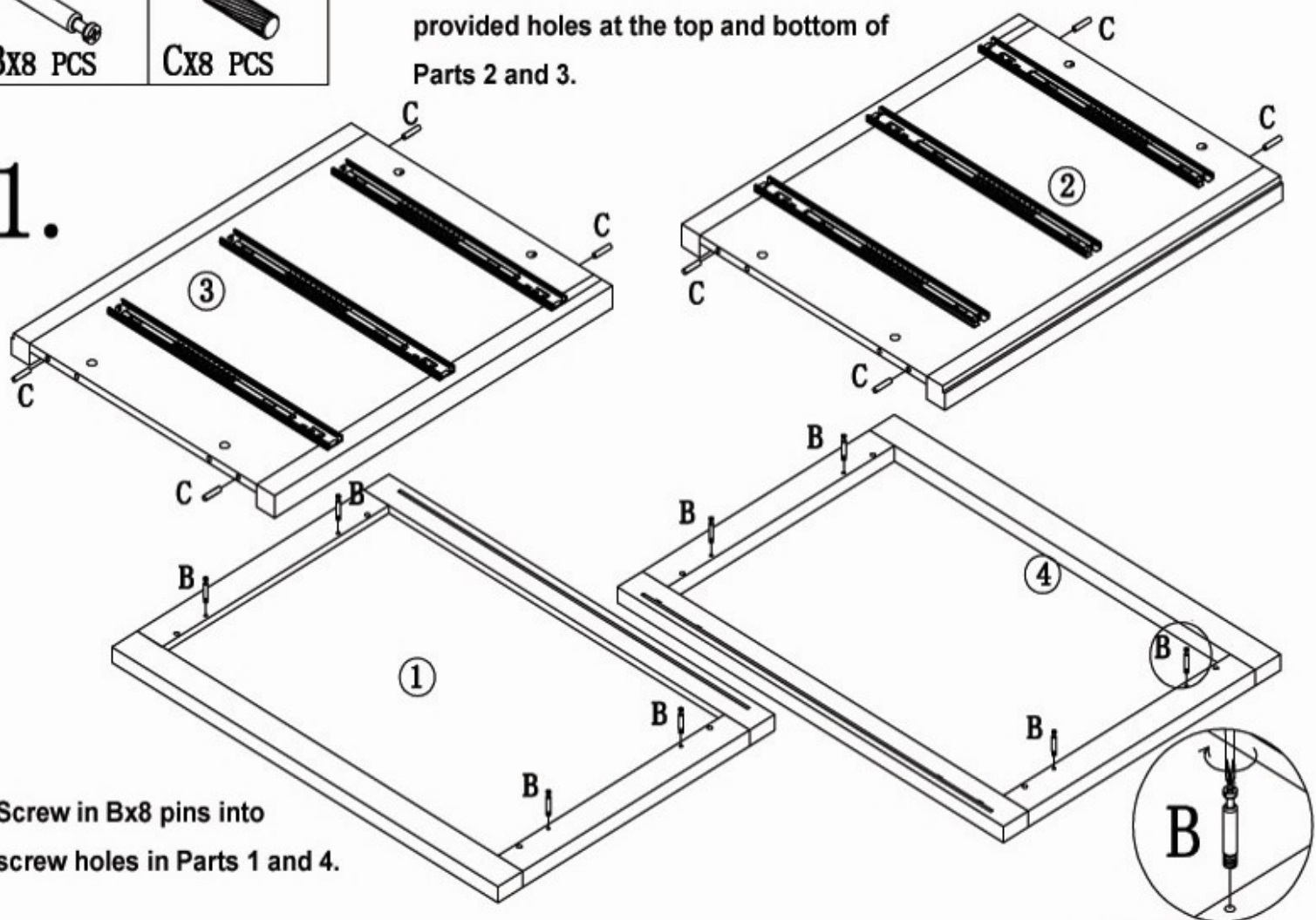
A*8 	B*8 	C*8 
D*36 	E*6 	F*8 
G*1 	H*8 	J*1 





Start by inserting Cx8 wooden dowels into provided holes at the top and bottom of Parts 2 and 3.

1.

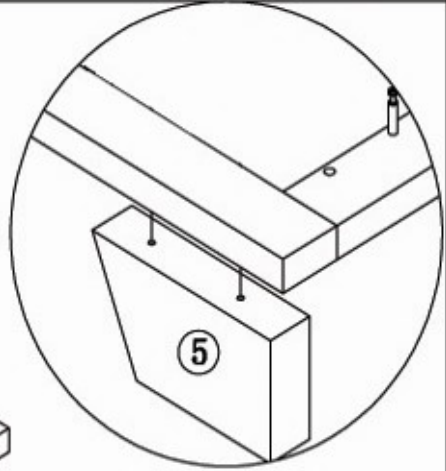
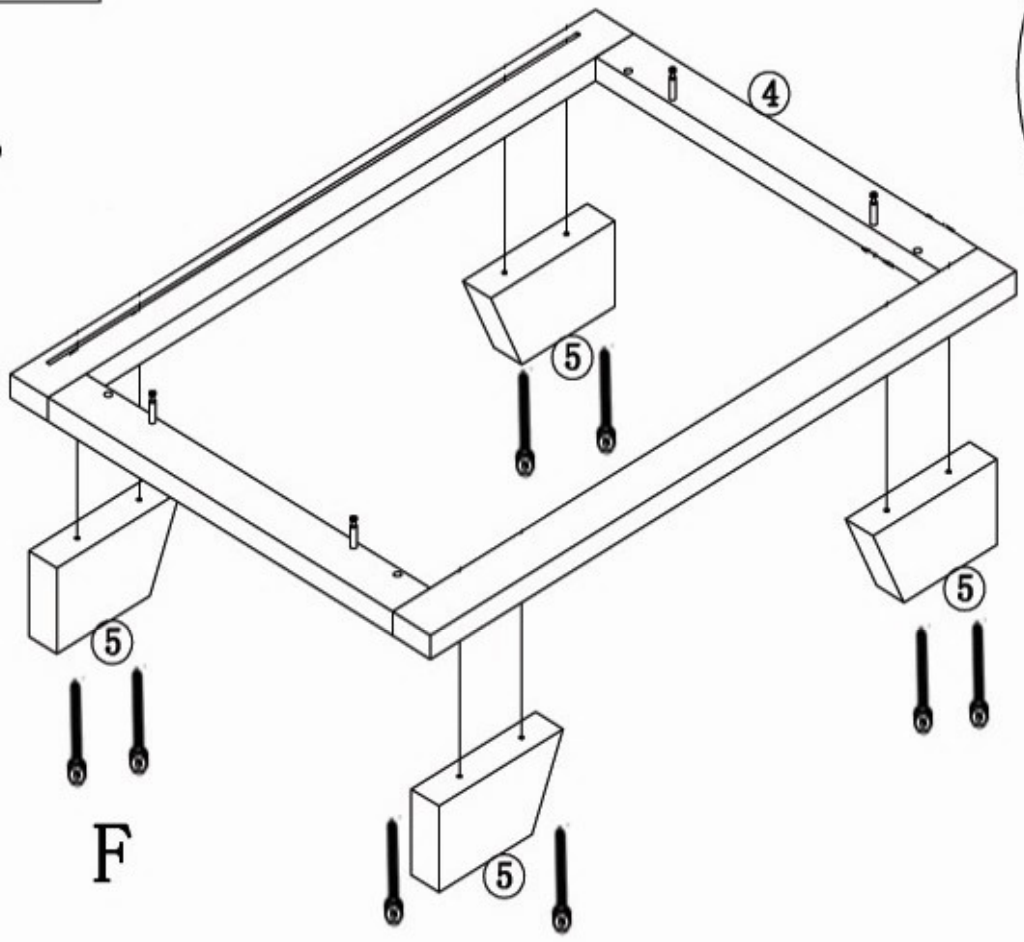


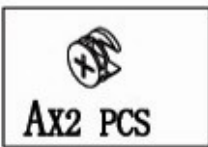
Screw in Bx8 pins into screw holes in Parts 1 and 4.



Screw in 4 x Part 5 into Part 4 using Fx8 screws.

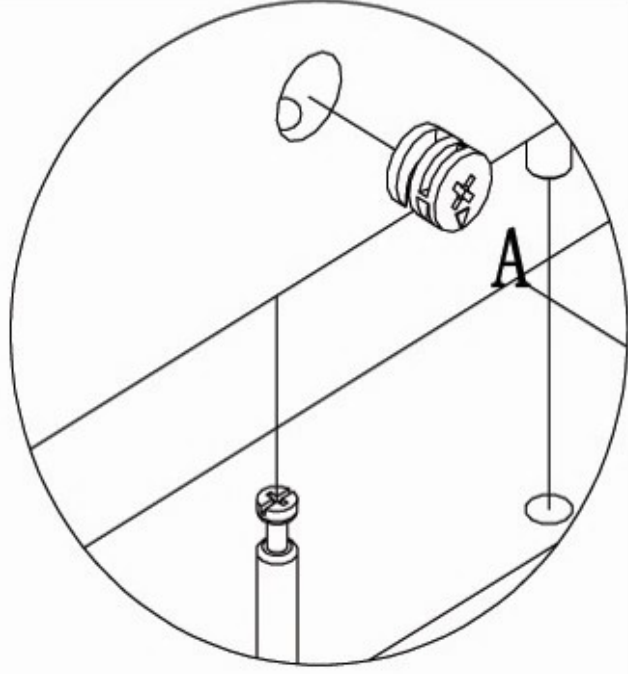
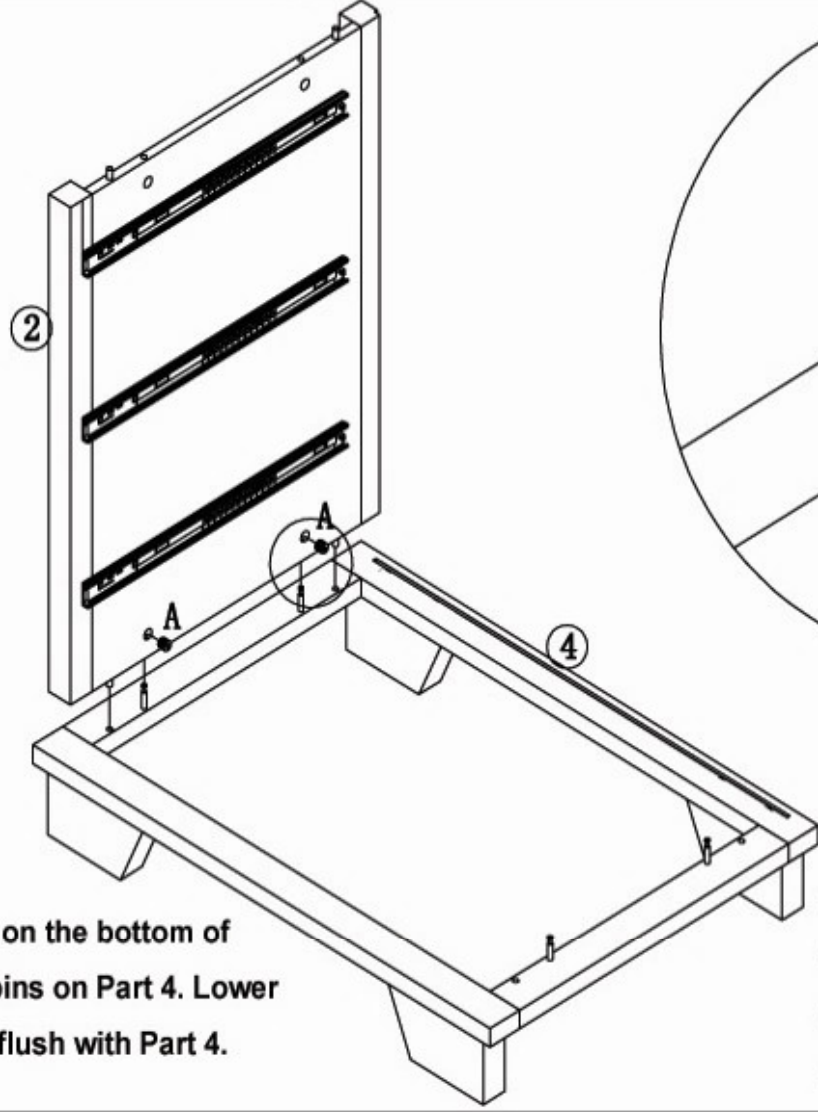
2.





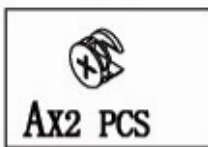
AX2 PCS

3.



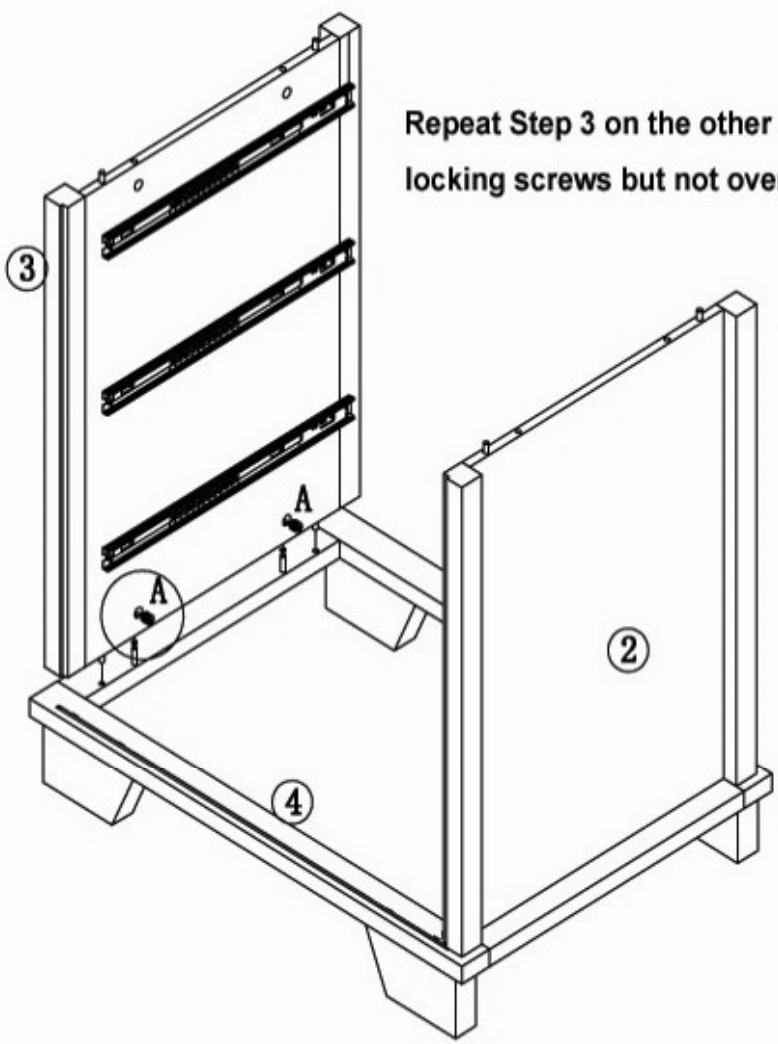
Line up the holes on the bottom of Part 2 with the 2 pins on Part 4. Lower Part 2 down until flush with Part 4.

Place in Ax2 locking screws into the holes provided on Part 2 and turn clockwise until secure (do not over tighten locking screws)

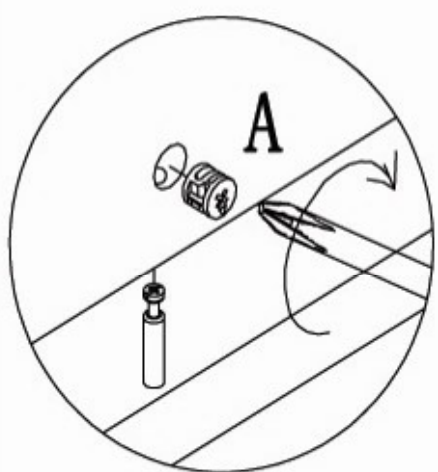


AX2 PCS

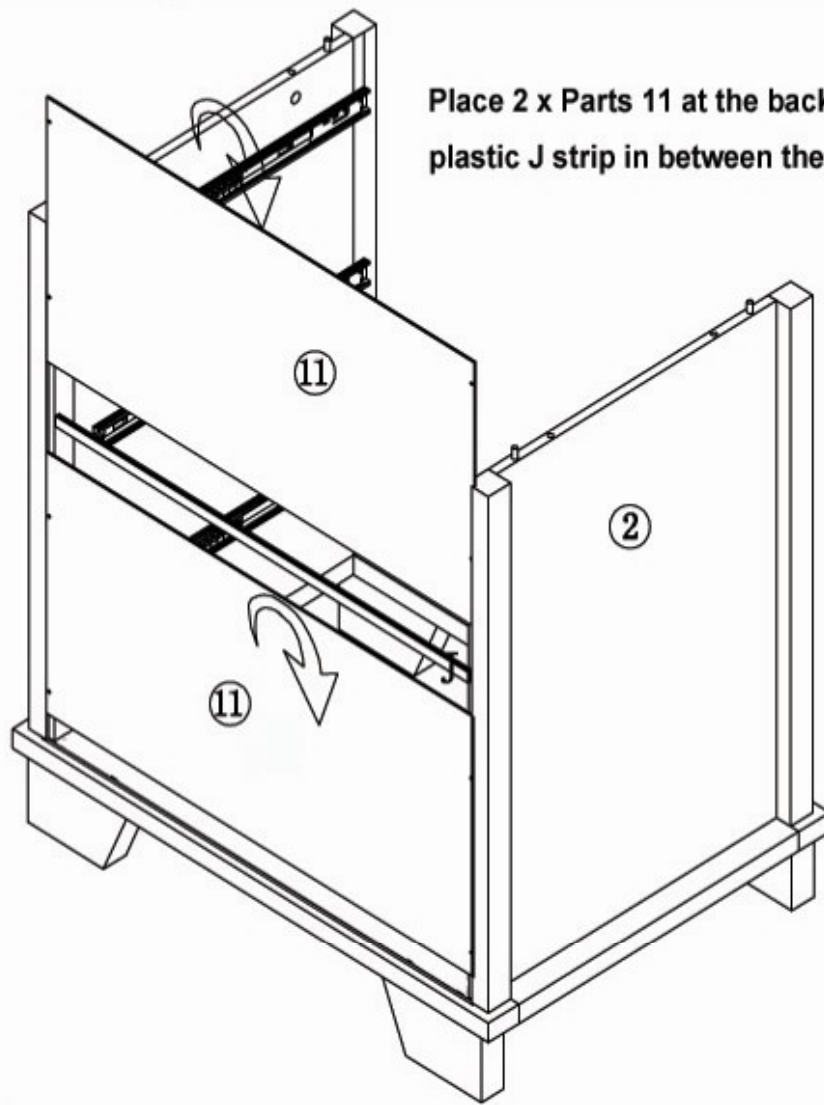
4.



Repeat Step 3 on the other side securing the locking screws but not overtightening.




5.

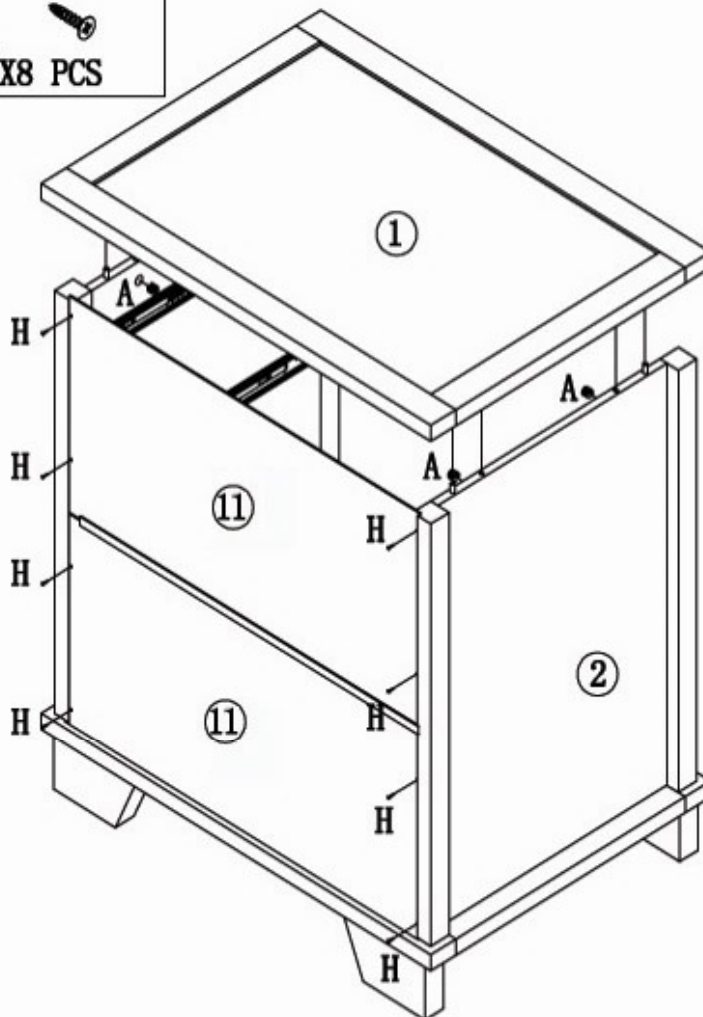


Place 2 x Parts 11 at the back of the Chest with the plastic J strip in between them.


AX4 PCS


HX8 PCS

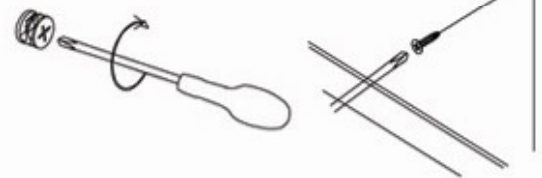
6.

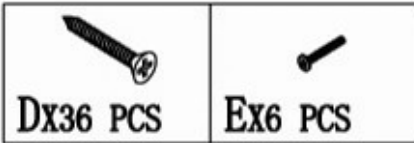


-Using Hx8 screws screw on Parts 11 to the back of the Chest through the holes provided.

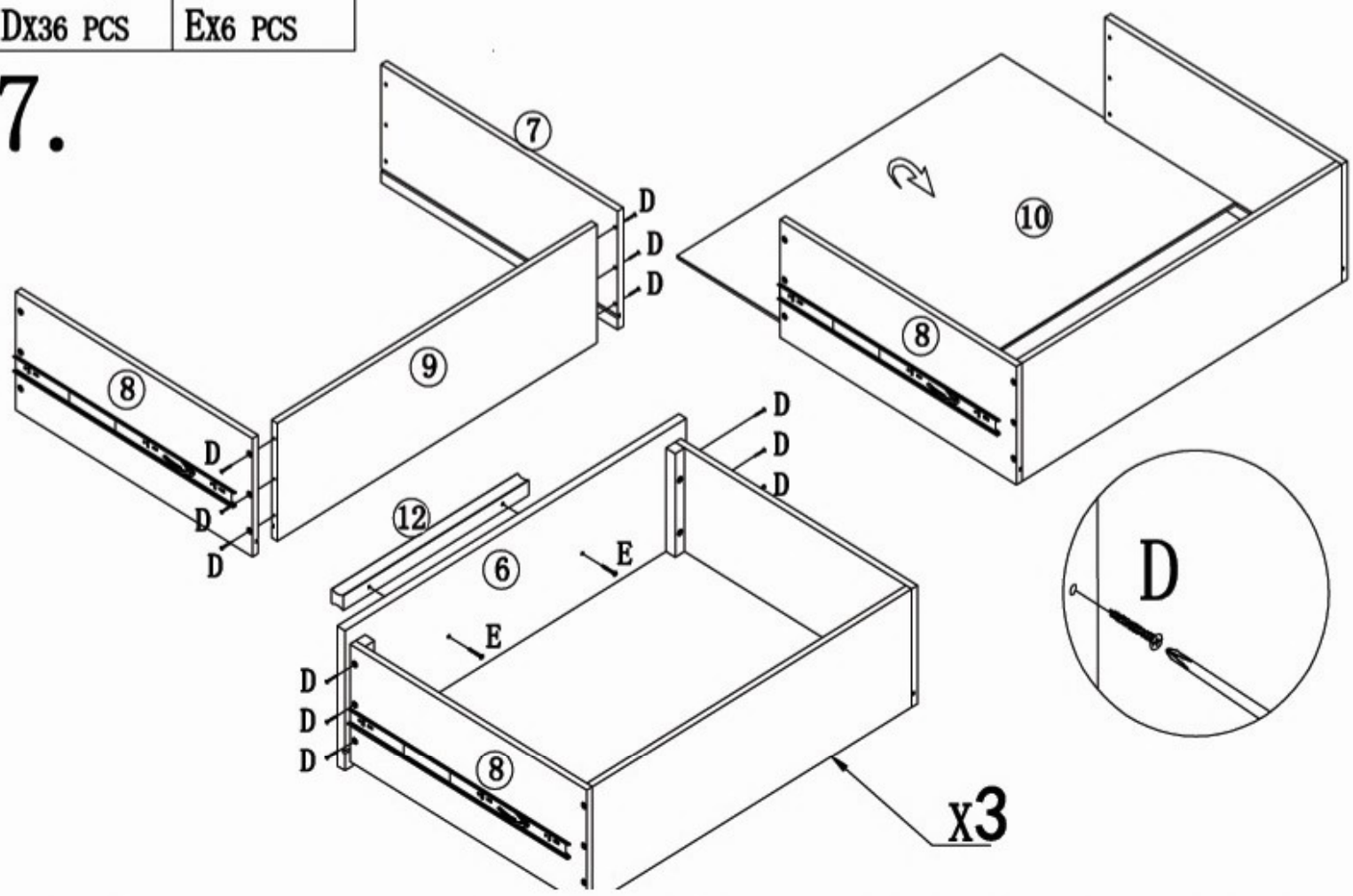
-Lining up the pins on Part 1 with the holes on Parts 2 and 3, lower Part 1 until it is sitting flush on the Chest

-Then proceed to secure Part 1 using Ax4 locking screws. (do not overtighten locking screws)



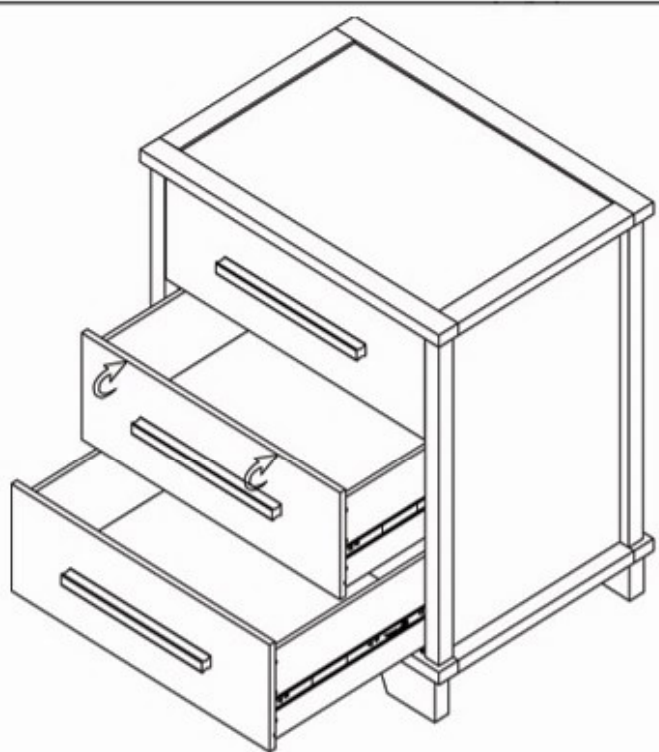


7.



- Using Dx6 screws attach Parts 7 and 8 to Part 9 by screwing through the holes provided, making sure the grooves on the inside of the drawer match up and are in line.
- Then slide in Part 10 into the grooves provided. Make sure that Part 10 is firmly & evenly placed.
- Attach Part 12 onto Part 6 using Ex2 screws
- Then line up the groove on Part 6 with Part 10, & screw Part 6 onto Parts 7 and 8 using Dx6 screws.
- Repeat this step for all Drawers.

8.



- To insert Drawer, it helps to pull the runners on both sides of the Chest out, then line up the rails on the Drawer to the tracks on the Chest.
- Slide in the Drawer until you hear 2 clicks and then push all the way in.