

FITTING DIAGRAM

VW MK7.5 GOLF GTI: FRONT SPLITTER

INSTALLATION AND FITTING SERVICES

If you are having any difficulties please seek professional advise from the listed International and Domestic Authorised Dealers on our website.

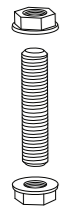
www.flowdesignsaustralia.com

**BUMPER REMOVAL
REQUIRED**

FITTING KIT

a

**M6 X 35mm STUD
+
FLANGE NUTS**

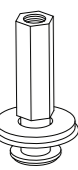


X 4

PLEASE NOTE:
DRILLING REQUIRED
TO FASTEN TO
CROSS BAR

b

**M6 COUPLING NUT
45mm LONG**



X 4

PLEASE NOTE:
DRILLING REQUIRED
TO FASTEN TO BUMPER
DO NOT OVERTIGHTEN

c

**M6 BOLT
40mm LONG**



X 4

PLEASE NOTE:
DRILLING REQUIRED
TO FASTEN TO BUMPER
DO NOT OVERTIGHTEN

d

**M6 BOLT
30mm LONG**



X 2

PLEASE NOTE:
DRILLING REQUIRED
TO FASTEN TO BUMPER
DO NOT OVERTIGHTEN

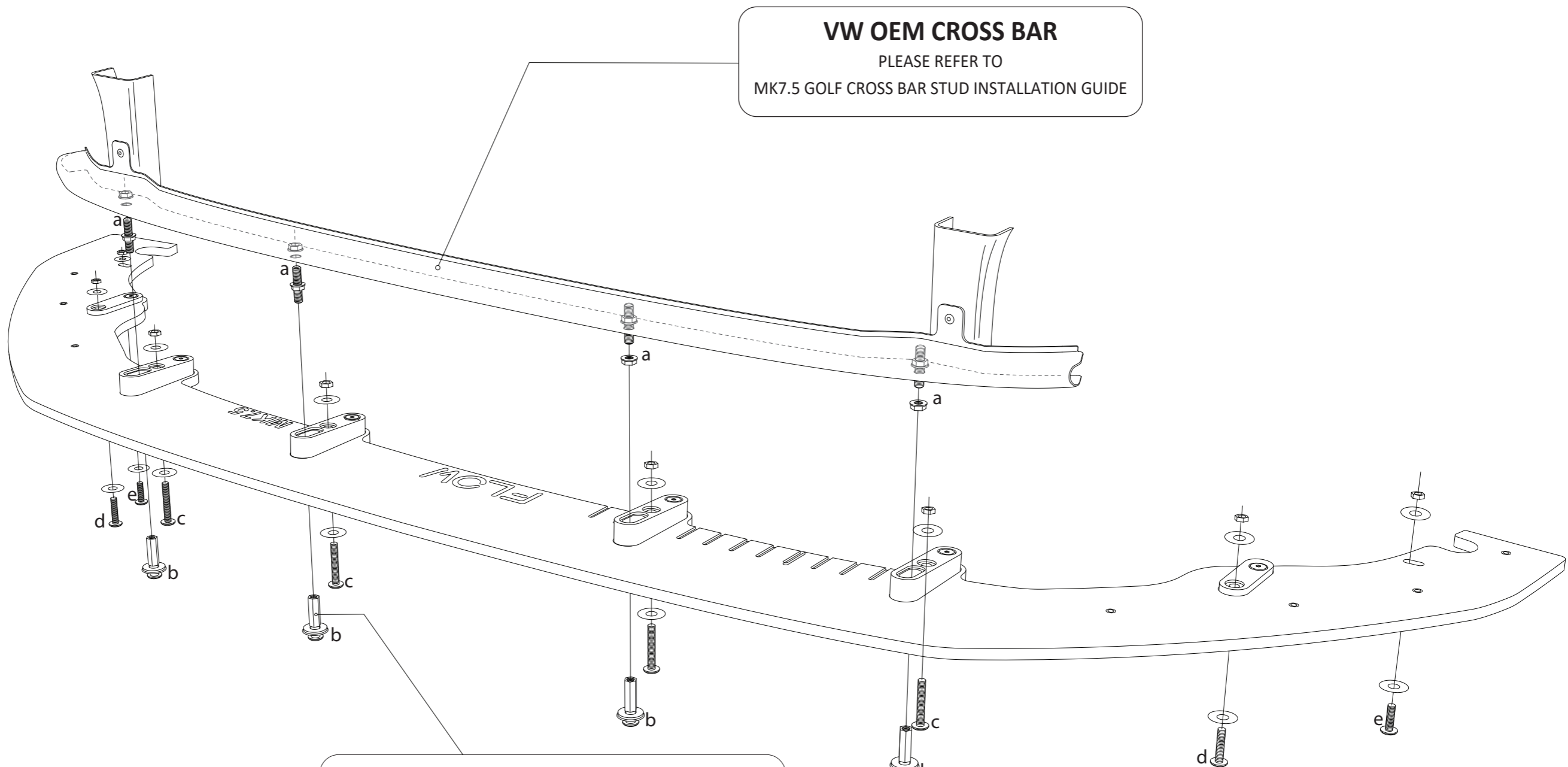
e

**M6 BOLT
25mm LONG**



X 2

PLEASE NOTE:
DRILLING REQUIRED
TO FASTEN TO BUMPER
DO NOT OVERTIGHTEN



VW OEM CROSS BAR
PLEASE REFER TO
MK7.5 GOLF CROSS BAR STUD INSTALLATION GUIDE

HANDY HINTS

- To install coupling nut to the M6 x 35mm Studs. use a 12mm drill bit to ensure adequate clearance.
- Use the pre drilled holes in the splitter as a drilling template.
- Use the 12mm drill bit to elongate the holes in the bumper to aid with alignment to the M6 x 35mm Studs.

**MDF
DRILLING TEMPLATE**

X 1



PLEASE NOTE:
DRILLING REQUIRED

FLOW DESIGNS

FLOW DESIGNS AUSTRALIA
ABN: 99 606 842 199
FACTORY 11
6-7 NICOLE CLOSE
BAYSWATER NORTH
VIC. 3153

DESIGNED AND MANUFACTURED IN AUSTRALIA

TERMS AND CONDITIONS : MISUSE OF GOODS

This Product application is not intended for public road registered vehicles within Australia. Regulations may vary from Countries outside of Australia. Please check your Country's and State's road regulations before installing on a vehicle intended for public road use.

Flow Designs Australia PTY LTD will not be liable for any liabilities in relation to any use of the goods other than in strict accordance with the Company's instructions and for the purpose and application for which the goods were supplied by the Company.

The Client undertakes with the Company:

- That it will acquaint itself with the requirements of all relevant government or statutory and other authorities, bodies or corporations relating to the goods and/or services and to the applications to which the goods and/or services are to be put;
- That at all times while the goods are in its possession or under its control it will comply with such requirements;
- That it will procure that any purchaser of goods from it will also acquaint itself with, and will comply with, such requirements;
- That it will indemnify the Company against any liability resulting from a breach of any such requirements.

www.flowdesignsaustralia.com