

FITTING DIAGRAM

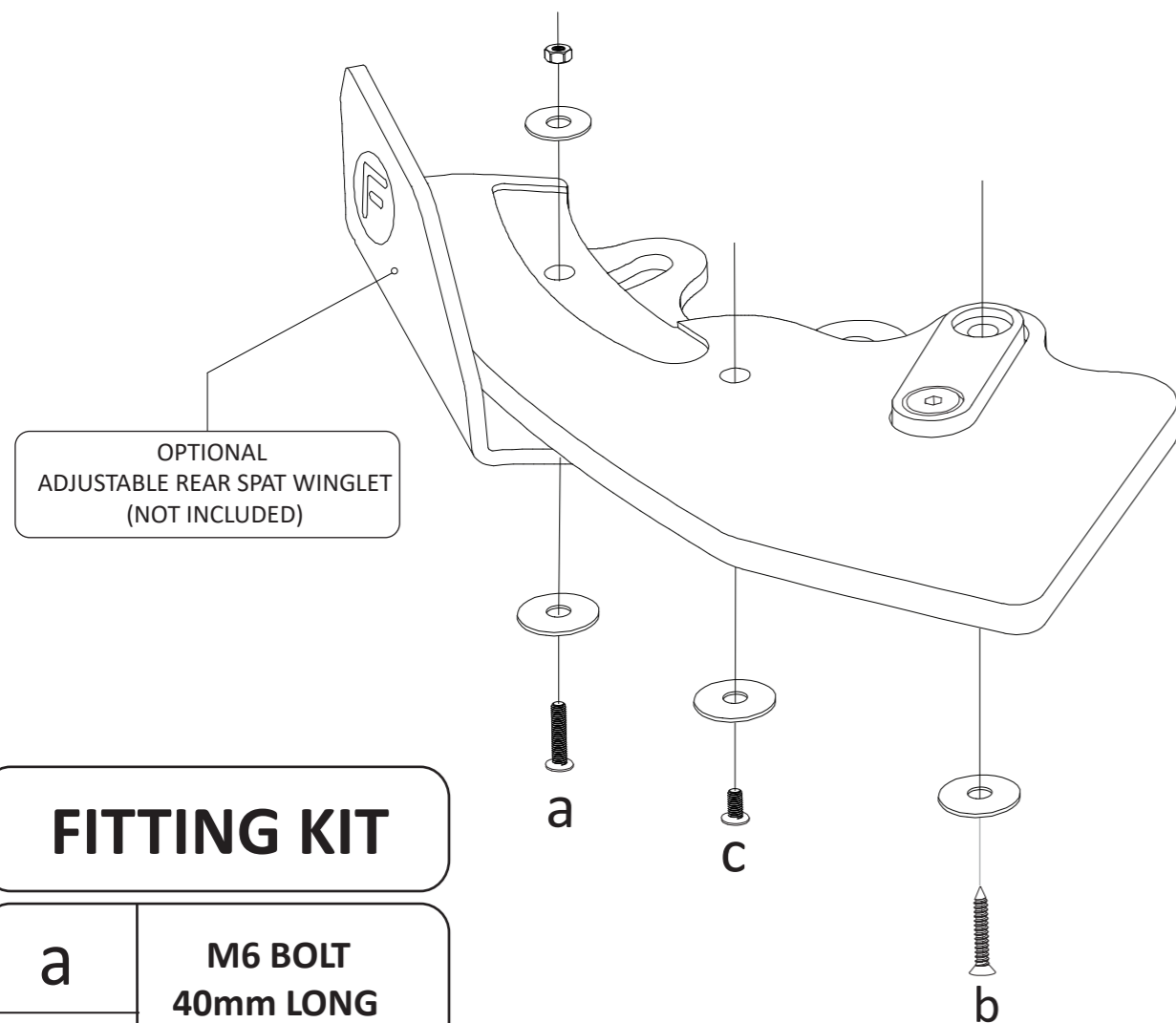
VW AW POLO GTI : REAR SPATS + ADJUSTABLE REAR WINGLETS

INSTALLATION AND FITTING SERVICES

If you are having any difficulties please seek professional advice from the listed International and Domestic Authorised Dealers on our website.

www.flowdesignsaustralia.com

BUMPER REMOVAL NOT REQUIRED

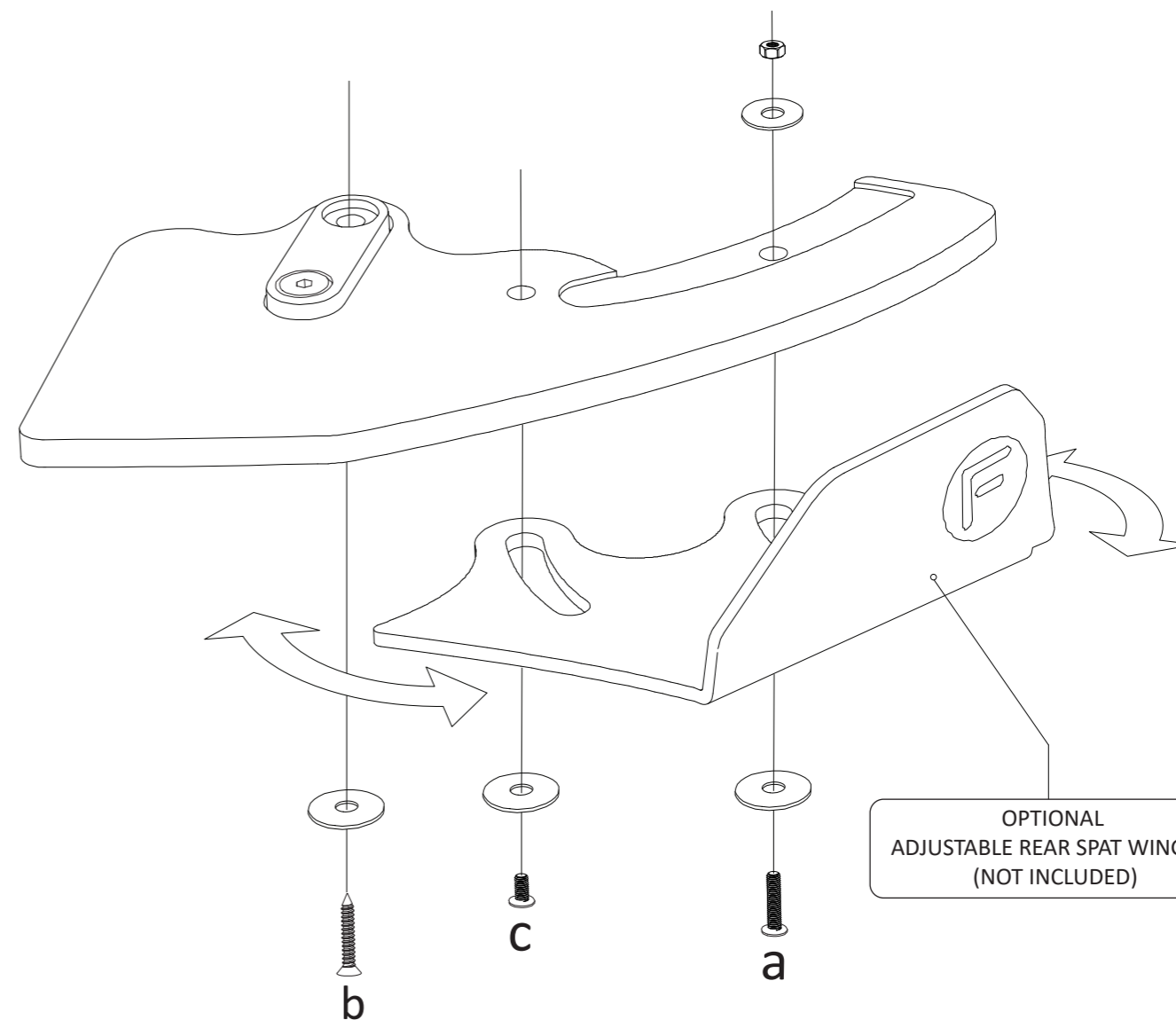


FITTING KIT

a	M6 BOLT 40mm LONG X 2
 	<p>PLEASE NOTE: DRILLING REQUIRED TO FASTEN TO BUMPER PLEASE USE 8mm DRILL BIT</p>

b	SELF DRILLING SCREWS 8g 38mm LONG X 2
 	<p>PLEASE NOTE: REPLACES OEM SCREW</p>

c	M6 BOLT 12mm LONG X 2



FLOW DESIGNS
FLOW DESIGNS AUSTRALIA
 ABN : 99 805 842 199
 FACTORY 11
 6-7 NICOLE CLOSE
 BAYSWATER NORTH
 VIC, 3153

TERMS AND CONDITIONS : MISUSE OF GOODS
 By taking possession of this Flow Designs Australia product, you (the buyer) agree that you have read, understood and will comply with the following disclaimer:
 • This product may not be suitable for road use in your area. We cannot be held liable for any penalties or infringements that may occur after installing any of our products.
 • We cannot guarantee that this product will comply with subsequent aftermarket products you have applied to your vehicle.
 • It is not legal to fit parts onto a road registered vehicle unless it carries and meets the design rules and public road regulations of your area, region and/or country.
 • We do make our best effort to consider safety when designing our products, we want the scene to be a safe place for everyone!
 This disclaimer absolves us (Flow Designs Australia) of any and all liability for breaches to any requirement as a result of installation of our products.

www.flowdesignsaustralia.com

