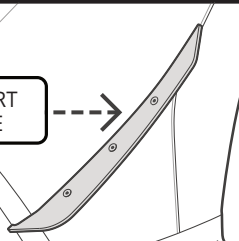


## SINGLE CANARD SETUPS

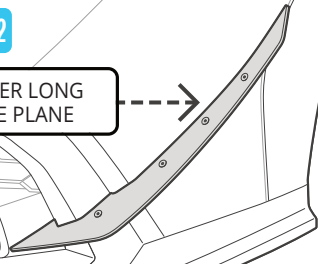
### CONFIGURATION 1

LOWER SHORT  
DIVE PLANE



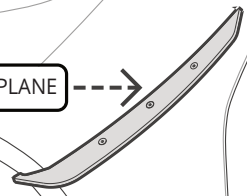
### CONFIGURATION 2

LOWER LONG  
DIVE PLANE



### CONFIGURATION 3

UPPER DIVE PLANE

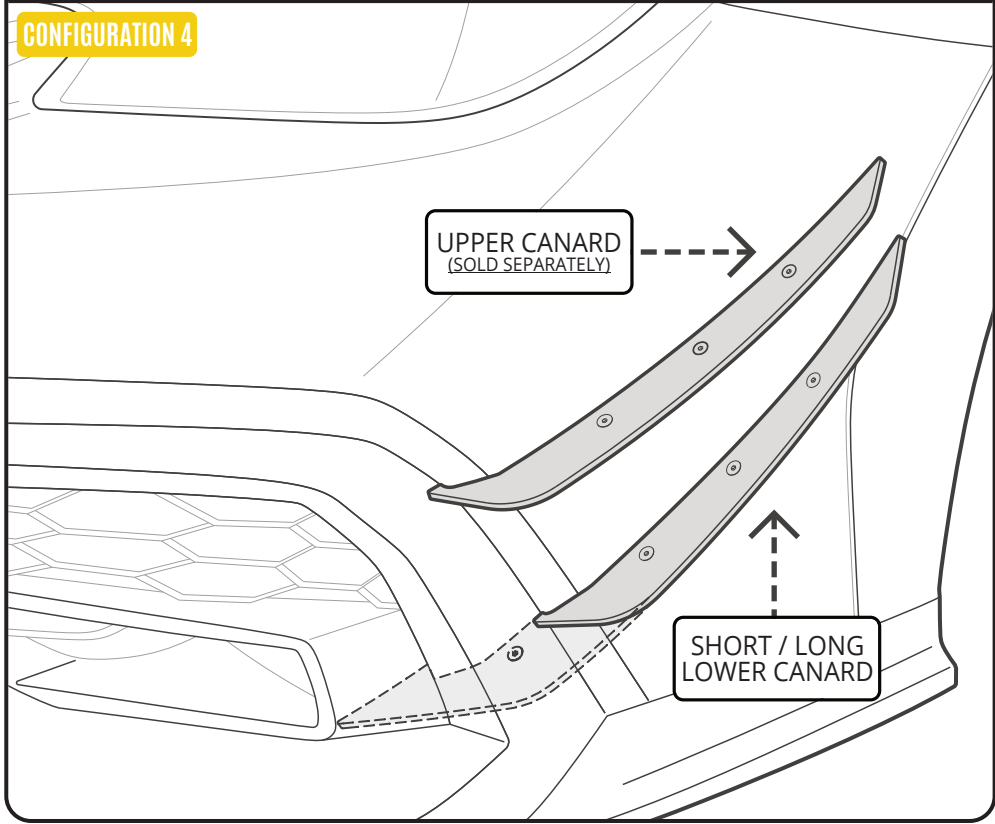


## DUAL CANARD SETUP

### CONFIGURATION 4

UPPER CANARD  
(SOLD SEPARATELY)

SHORT / LONG  
LOWER CANARD

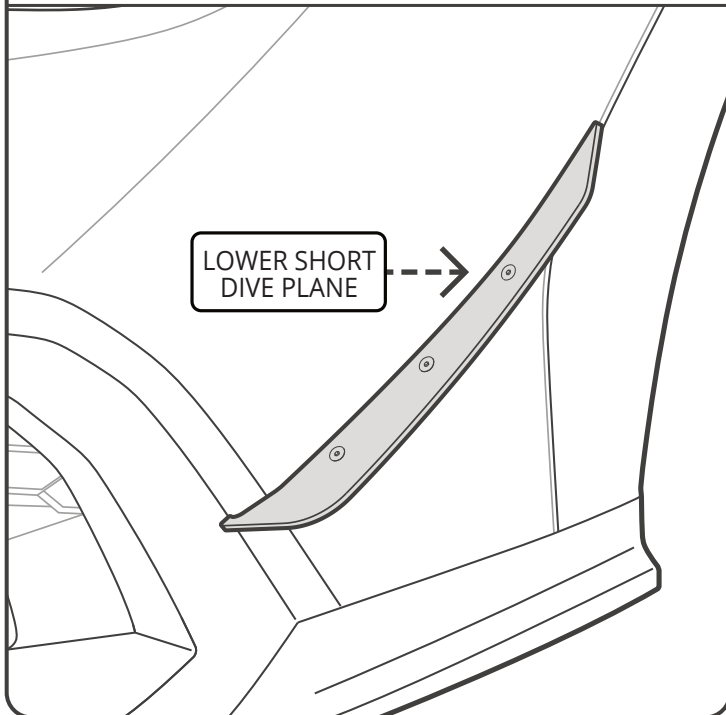


# CONFIGURATION 1

## SHORT LOWER CANARD

### CONFIGURATION 1 - LOWER CANARD SHORT INSTALLATION PAGE 06-07

Lower canard set comes with both short and long dive planes. Refer to Page 06-07 for mechanical or adhesive fastening installation guide.

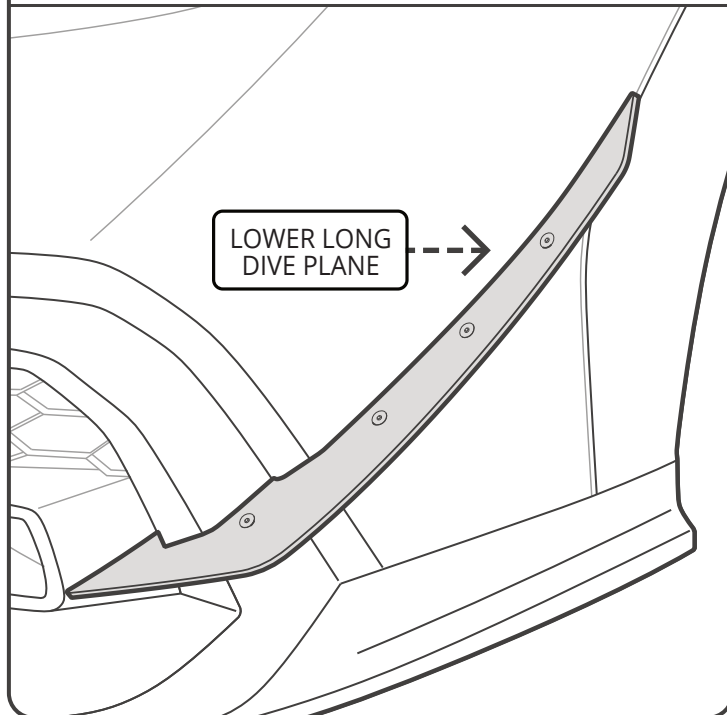


# CONFIGURATION 2

## LONG LOWER CANARD

### CONFIGURATION 2 - LOWER CANARD LONG INSTALLATION PAGE 08

Lower canard set comes with both short and long dive planes. Refer to Page 08 for long dive plane installation guide.

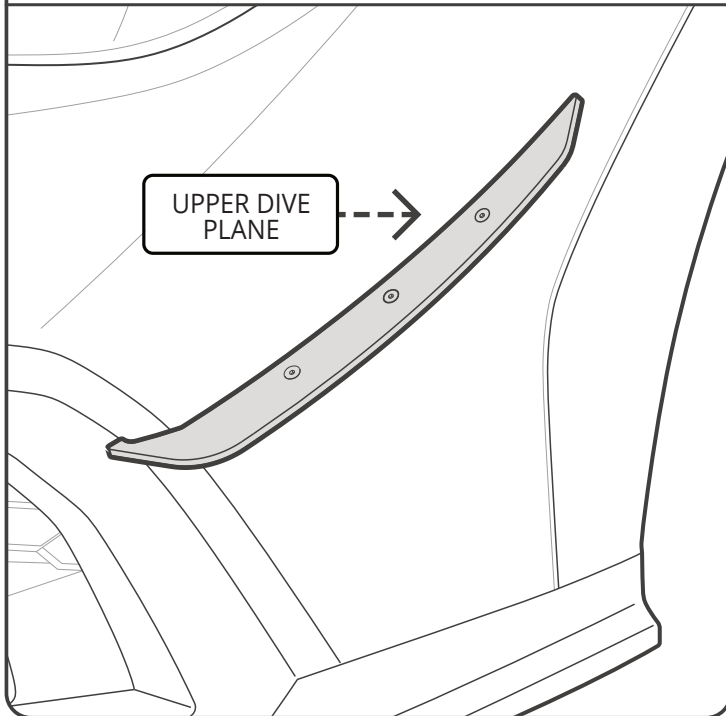


# CONFIGURATION 3

## UPPER CANARD ONLY

### CONFIGURATION 3 - UPPER CANARD INSTALLATION PAGE 09

Upper canard sold separately or purchased together as dual canard setup.  
Refer to Page 09 for installation or upper canard instruction.

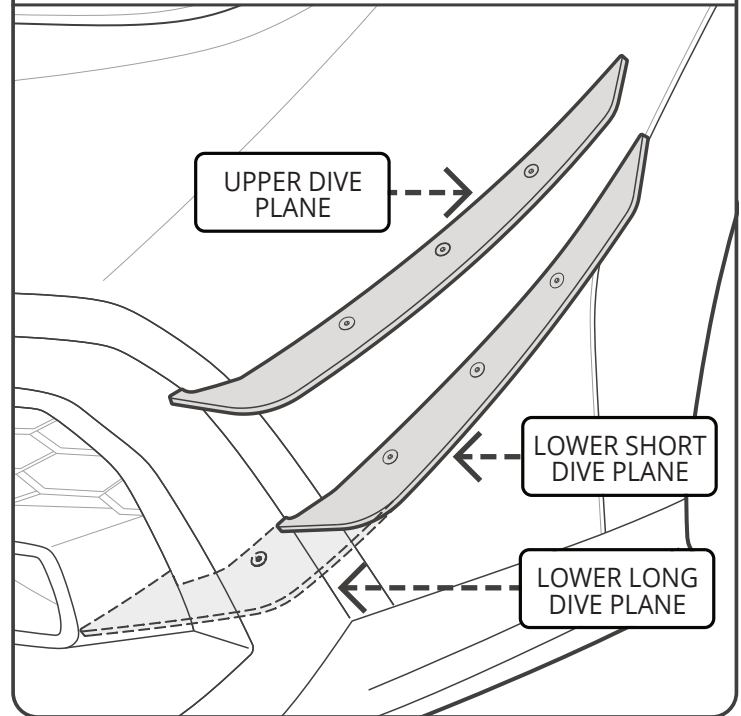


# CONFIGURATION 4

## DUAL CANARD SETUP

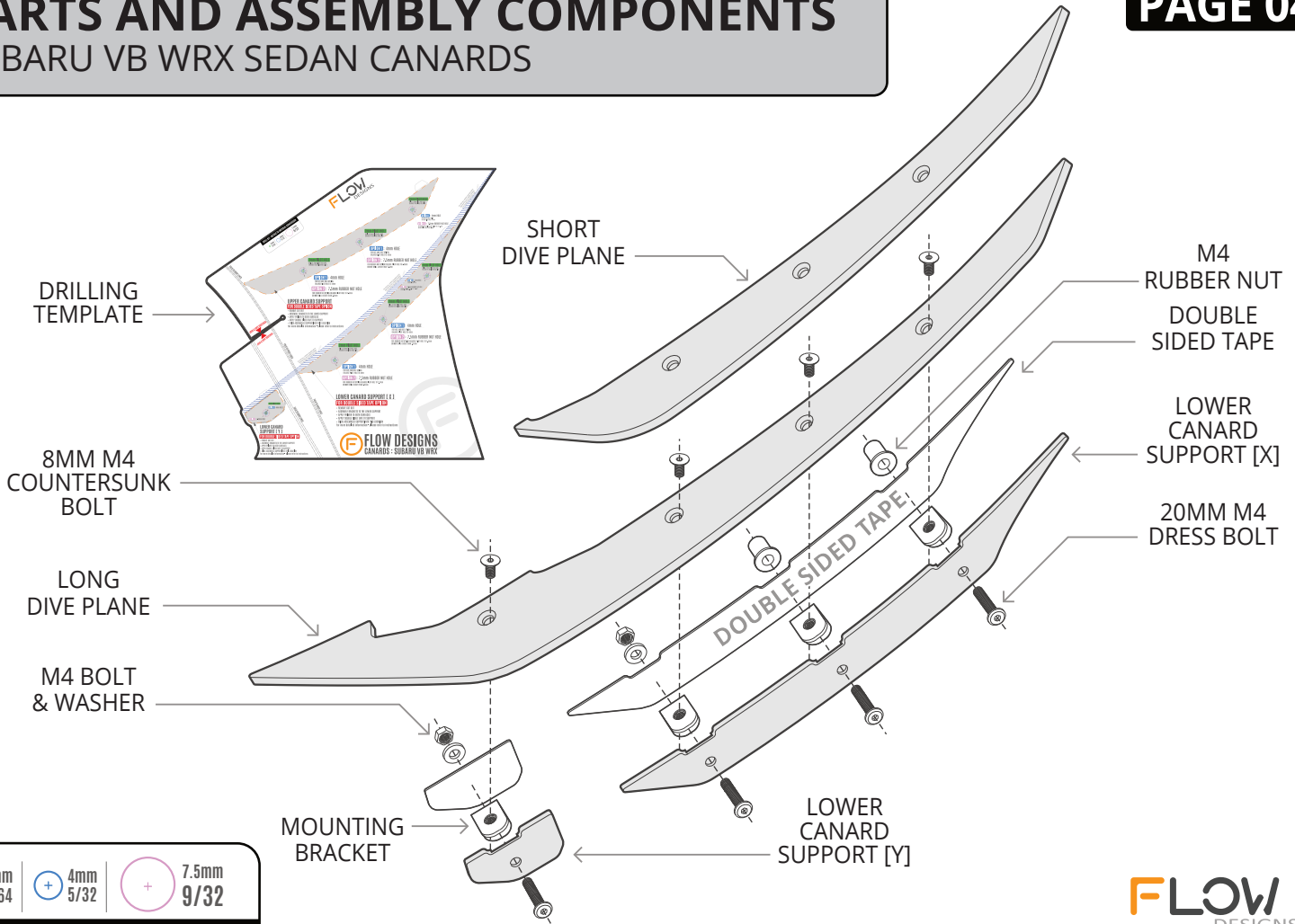
### CONFIGURATION 4 - DUAL CANARD INSTALLATION PAGE 10-11

Dual canard setup consists of upper canard and lower canard sets. Lower canard can be installed with either short or long dive planes. Refer to Page 10-11 for installation.



# PARTS AND ASSEMBLY COMPONENTS

## SUBARU VB WRX SEDAN CANARDS

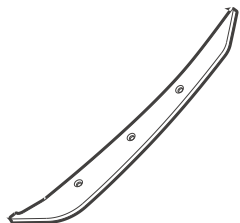


# PARTS AND FITTING KIT

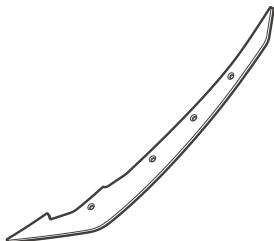
## SUBARU VB WRX SEDAN CANARDS

**PAGE 05**

### PARTS LIST



SHORT DIVE  
PLANE  
**X 2**



LONG DIVE  
PLANE  
**X 2**



LOWER CANARD  
SUPPORT [X]  
**X 2**



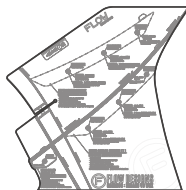
LOWER CANARD  
SUPPORT [Y]  
**X 2**



MOUNTING  
BRACKETS  
**X 8**



ALCOHOL  
SWAB  
+  
PRIMER  
**X 2**



DRILLING  
TEMPLATE  
**X 2**



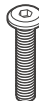
M4  
NUT & 9MM  
WASHER  
**X 8**



M4  
RUBBER NUT  
**X 8**



3M DOUBLE  
SIDED TAPE  
SET  
**X 1**

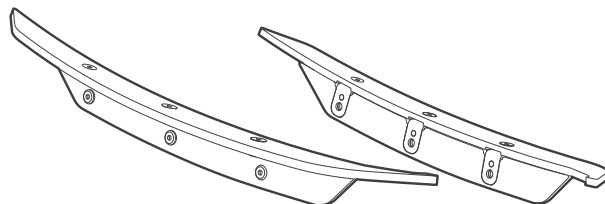


DRESS BOLT  
BLACK STAINLESS  
M4 X 20MM  
**X 8**



COUNTERSUNK  
BOLT  
BLACK STAINLESS  
M4 X 8MM  
**X 8**

### OPTIONAL ACCESSORIES (SOLD SEPARATELY)

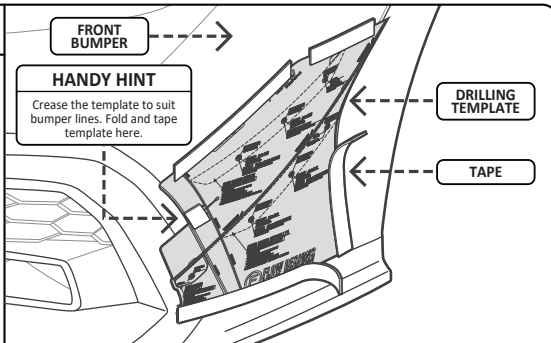


**UPPER CANARD  
SET**

Dual Canard set or Single Upper  
Canard set sold separately.

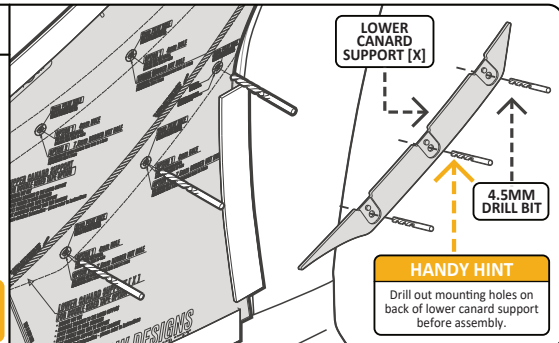
### STEP 1

- **CLEAN THE BUMPER BEFORE INSTALLING CANARDS.**
- **Align the template** to the front bumper and wheel arch.
- **Contour the template** along the fold lines to suit the vehicle. **Join and tape the template** where required.
- **Tape the template** to the vehicle.



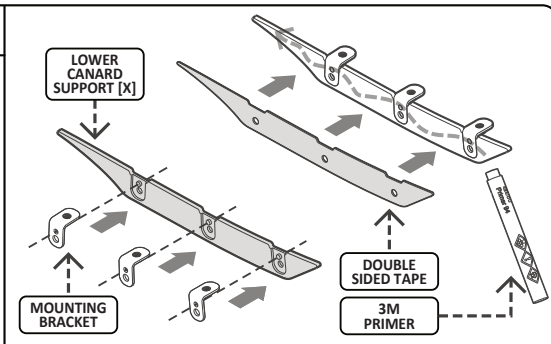
### STEP 2

- Choose Mechanical Fastening option;
- **Option 1 - Nut & Bolt**  
**Option 2 - Rubber Nut**
- **Mark hole** through drilling template and **drill 2mm pilot hole.**
- **For Option 1,** enlarge hole to 4mm.
- **For Option 2,** enlarge hole to 7.5mm.
- **Drill out mounting holes on Lower Canard Support with 4.5mm bit.**



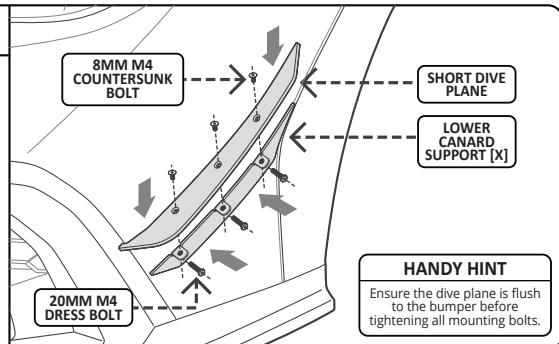
### STEP 3

- **Assemble the mounting brackets** to the **Lower Canard Support [X].**
- **Prime and apply Double Sided tape** to the back of the assembled canard support.
- **Peel perforated cut out** on template before applying primer to the vehicle.



### STEP 4

- **Remove tape backing** and **align canard support** to drilled holes.
- **Stick the assembled canard support** to the vehicle and **secure using mounting bolts.**
- **Align the Short Dive Plane** to the canard support and **mount the dive plane** to the lower support using mounting bolts.



## MECHANICAL FASTENING FITTING KIT

### OPTION 1



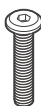
M4  
NUT & 9MM  
WASHER  
**X 8**

### OPTION 2



M4  
RUBBER NUT  
**X 8**

### CANARD SUPPORT MOUNTING BOLTS



DRESS BOLT  
BLACK STAINLESS  
M4 X 20MM  
**X 8**

### DIVE PLANE MOUNTING BOLTS



COUNTERSUNK  
BOLT  
BLACK STAINLESS  
M4 X 8MM  
**X 8**

### MOUNTING BRACKETS



**X 8**

### ALCOHOL SWAB + PRIMER



**X 2**

### DOUBLE SIDED TAPE



3M DOUBLE  
SIDED TAPE  
SET  
**X 1**

# ADHESIVE FASTENING

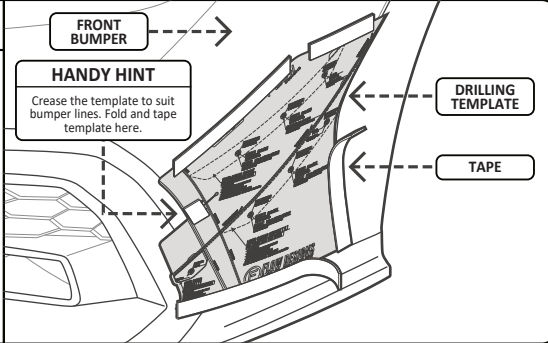
## INSTALLATION DIAGRAM MOUNTING SHORT DIVE PLANE AND LOWER SUPPORT [X] TO VEHICLE

PAGE 07

CONFIGURATION 1

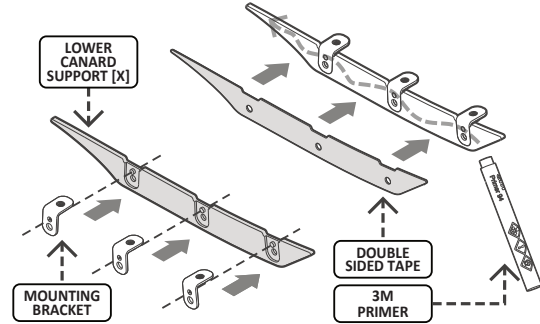
### STEP 1

- **CLEAN THE BUMPER BEFORE INSTALLING CANARDS.**
- **Align the template** to the front bumper and wheel arch.
- **Contour the template** along the fold lines to suit the vehicle. **Join and tape the template** where required.
- **Tape the template** to the vehicle.



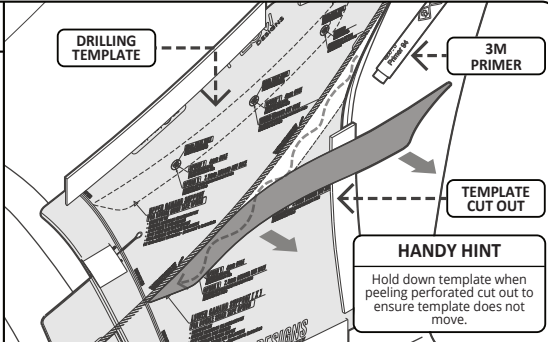
### STEP 2

- **Assemble** the mounting brackets to the Lower canard support.
- **Prime and apply Double Sided tape** to the back of the assembled canard support.



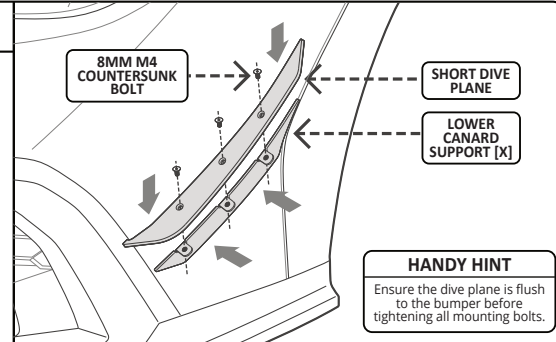
### STEP 3

- **Peel perforated cut out** on template before applying primer to the vehicle.
- **Remove tape backing and align canard support** to cutout in template.



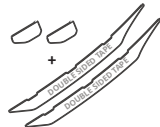
### STEP 4

- **Stick the assembled canard support** to the vehicle and **hold firmly for 2 minutes.**
- **Remove template** from front bumper.
- **Align the Short Dive plane** to the canard support and **mount the dive plane** to the lower support using mounting bolts.



## ADHESIVE FASTENING FITTING KIT

### DOUBLE SIDED TAPE



3M DOUBLE SIDED TAPE SET  
**X 1**

### DIVE PLANE MOUNTING BOLTS



COUNTERSUNK BOLT  
BLACK STAINLESS  
M4 X 8MM  
**X 8**

### MOUNTING BRACKETS



### ALCOHOL SWAB + PRIMER



**X 2**

# INSTALLATION DIAGRAM - LONG DIVE PLANE

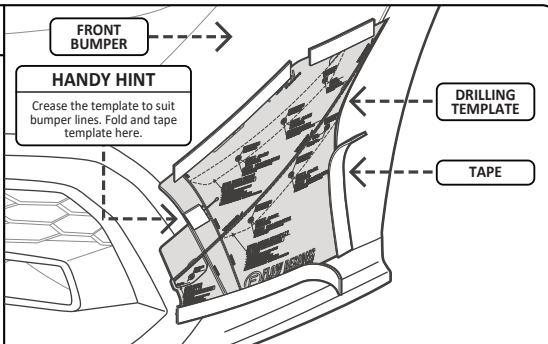
## MOUNTING LONG DIVE PLANE AND LOWER SUPPORT [Y] TO VEHICLE

**PAGE 08**

**CONFIGURATION 2**

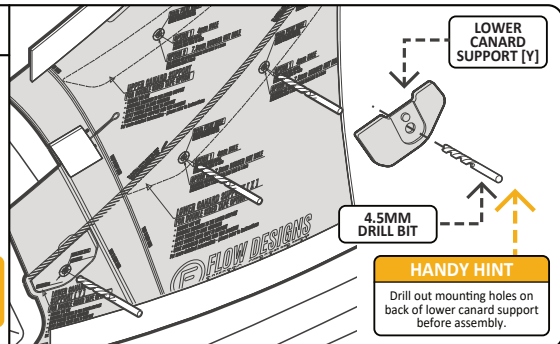
### STEP 1

- **CLEAN THE BUMPER BEFORE INSTALLING CANARDS.**
- **Align the template** to the front bumper and wheel arch.
- **Contour the template** along the fold lines to suit the vehicle. **Join and tape the template** where required.
- **Tape the template** to the vehicle.



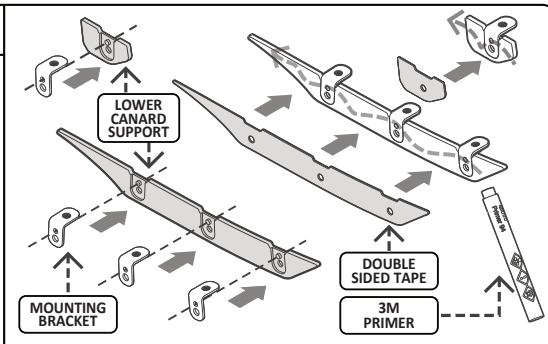
### STEP 2

- **Choose Mechanical or Adhesive Fastening** option. Refer to previous page for fastening instructions of Lower Canard Support [X].
- For **Mechanical fastening**, drill holes through template for Lower Canard Support [X] and [Y].
- **Drill out** mounting holes on Lower Canard Support [X] and [Y] with 4.5mm bit.



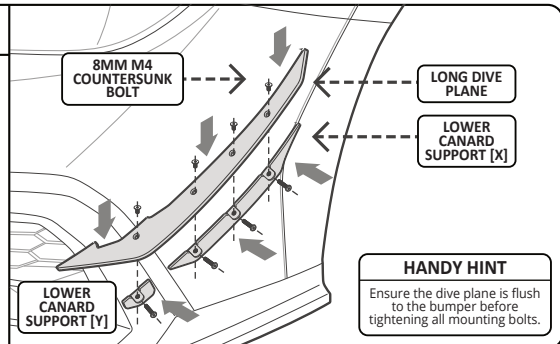
### STEP 3

- **Assemble** the mounting brackets to the Lower Canard Support [X] and [Y].
- **Prime and apply Double Sided tape** to the back of the assembled canard support.
- **Peel perforated cut out** on template before applying primer to the vehicle.



### STEP 4

- **Remove tape backing** and align canard support to drilled holes or template cutout.
- **Stick** the assembled canard support to the vehicle and **secure** using mounting bolts or hold firmly if adhesive option only.
- **Align** the Long Dive plane to the canard support and **mount** the dive plane to the lower supports using mounting bolts.



## LOWER CANARD FITTING KIT

### OPTION 1



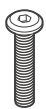
**M4 NUT & 9MM WASHER**  
**X 8**

### OPTION 2



**M4 RUBBER NUT**  
**X 8**

### CANARD SUPPORT MOUNTING BOLTS



**DRESS BOLT BLACK STAINLESS M4 X 20MM**  
**X 8**

### DIVE PLANE MOUNTING BOLTS



**COUNTERSUNK BOLT BLACK STAINLESS M4 X 8MM**  
**X 8**

### MOUNTING BRACKETS



**X 8**

### ALCOHOL SWAB + PRIMER



**X 2**

### DOUBLE SIDED TAPE



**3M DOUBLE SIDED TAPE SET**  
**X 1**



# INSTALLATION DIAGRAM - UPPER CANARD

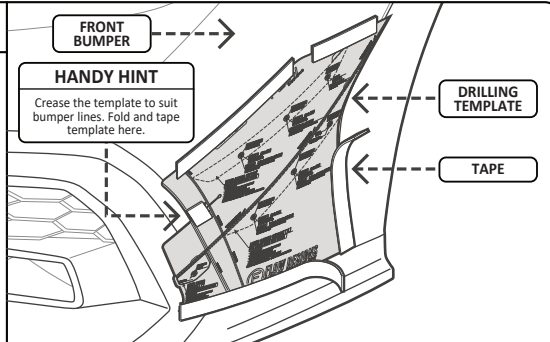
## MOUNTING UPPER DIVE PLANE AND UPPER CANARD SUPPORT TO VEHICLE

PAGE 09

CONFIGURATION 3

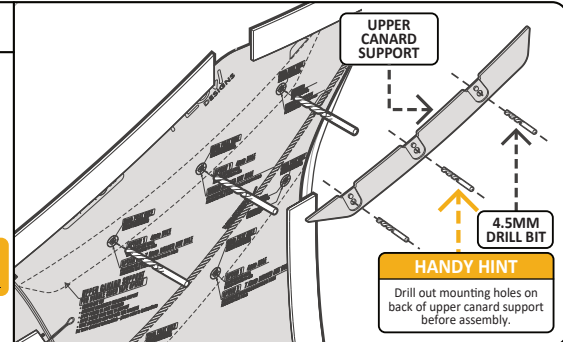
### STEP 1

- **CLEAN THE BUMPER BEFORE INSTALLING CANARDS.**
- **Align the template** to the front bumper and wheel arch.
- **Contour the template** along the fold lines to suit the vehicle. **Join and tape the template** where required.
- **Tape the template** to the vehicle.



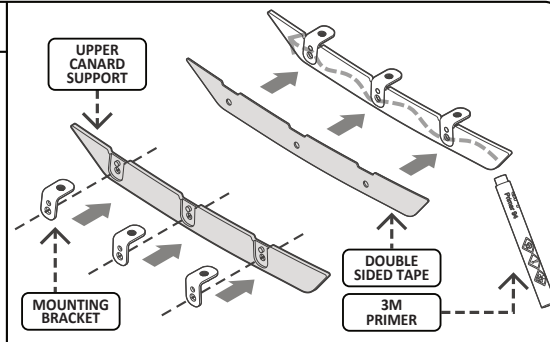
### STEP 2

- Choose **Mechanical or Adhesive Fastening** option.
- For **Adhesive fastening**, skip to next step.
- For **Mechanical fastening**, **drill holes** through template for **Upper Canard Support**.
- **Drill out mounting holes** on **Upper Canard Support** with **4.5mm bit**.



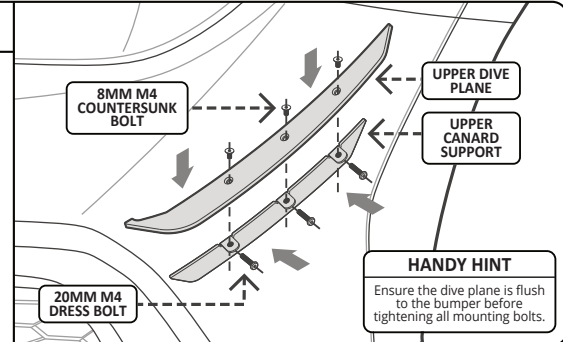
### STEP 3

- **Assemble the mounting brackets** to the **Upper Canard Support**.
- **Prime and apply Double Sided tape** to the back of the assembled canard support.
- **Peel perforated cut out** on template before applying **primer** to the vehicle.



### STEP 4

- **Remove tape backing** and **align canard support** to drilled holes.
- **Stick the assembled canard support** to the vehicle and **secure using mounting bolts**.
- **Align the Upper Dive plane** to the canard support and **mount the dive plane** to the upper support using mounting bolts.



## UPPER CANARD FITTING KIT

### OPTION 1



M4  
NUT & 9MM  
WASHER

X 6

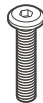
### OPTION 2



M4  
RUBBER NUT

X 6

### CANARD SUPPORT MOUNTING BOLTS



DRESS BOLT  
BLACK STAINLESS  
M4 X 20MM

X 6

### DIVE PLANE MOUNTING BOLTS



COUNTERSUNK  
BOLT  
BLACK STAINLESS  
M4 X 8MM

X 6

### MOUNTING BRACKETS



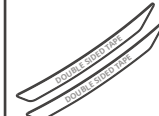
X 6

### ALCOHOL SWAB + PRIMER



X 2

### DOUBLE SIDED TAPE



3M DOUBLE  
SIDED TAPE  
SET

X 1

# INSTALLATION DIAGRAM - DUAL CANARDS

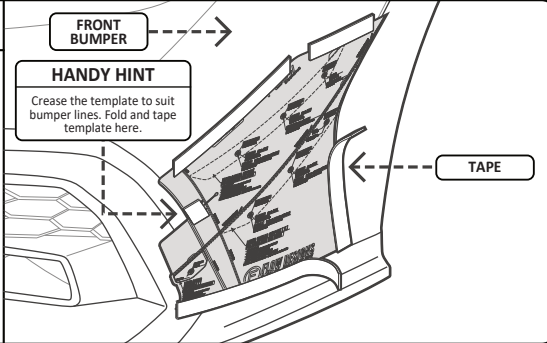
## MOUNTING UPPER AND LOWER CANARD TO VEHICLE

PAGE 10

CONFIGURATION 4

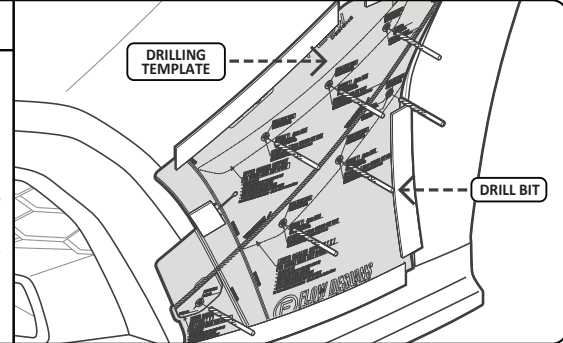
### STEP 1

- **CLEAN THE BUMPER BEFORE INSTALLING CANARDS.**
- **Align the template** to the front bumper and wheel arch.
- **Contour the template** along the fold lines to suit the vehicle. **Join and tape the template** where required.
- **Tape the template** to the vehicle.



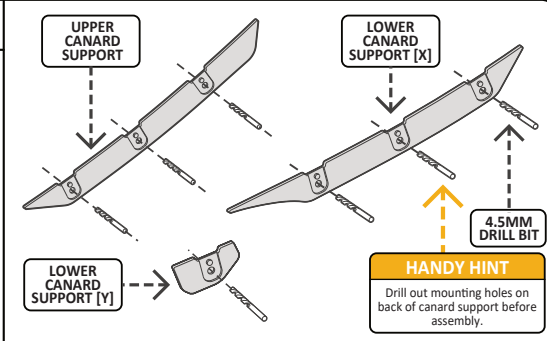
### STEP 2

- Choose **Mechanical or Adhesive Fastening** option.
- For **Adhesive fastening**, skip to **Step 4**.
- For **Mechanical fastening**, mark hole through drilling template and **drill 2mm pilot hole**.
- **Enlarge holes** for **Upper Canard Support** and **Lower Canard Support [X]** and **[Y]** to suit mounting option.



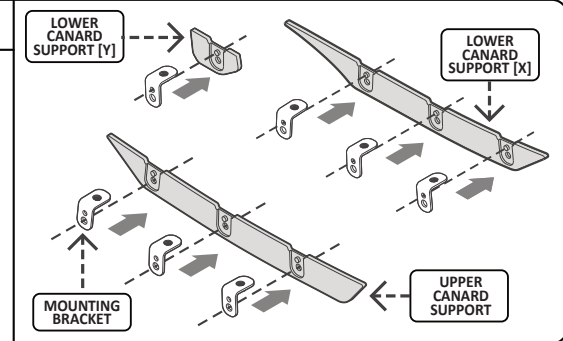
### STEP 3

- **Drill out mounting holes** on Upper Canard Support with **4.5mm bit**.
- Repeat process with **Lower Canard Support [X]** and **[Y]**.



### STEP 4

- **Assemble the mounting brackets** to the **Upper Canard Support**.
- Repeat process with **Lower Canard Support [X]** and **[Y]**.



## LOWER CANARD FITTING KIT

### OPTION 1



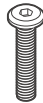
M4  
NUT & 9MM  
WASHER  
**X 8**

### OPTION 2



M4  
RUBBER NUT  
**X 8**

### CANARD SUPPORT MOUNTING BOLTS



DRESS BOLT  
BLACK STAINLESS  
M4 X 20MM  
**X 8**

### DIVE PLANE MOUNTING BOLTS



COUNTERSUNK  
BOLT  
BLACK STAINLESS  
M4 X 8MM  
**X 8**

### MOUNTING BRACKETS



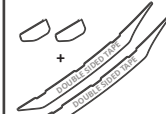
**X 8**

### ALCOHOL SWAB + PRIMER



**X 2**

### DOUBLE SIDED TAPE



3M DOUBLE  
SIDED TAPE  
SET  
**X 1**

# INSTALLATION DIAGRAM - DUAL CANARDS

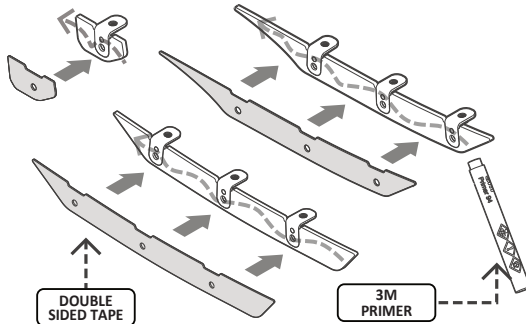
## MOUNTING UPPER AND LOWER CANARD TO VEHICLE

**PAGE 11**

**CONFIGURATION 4**

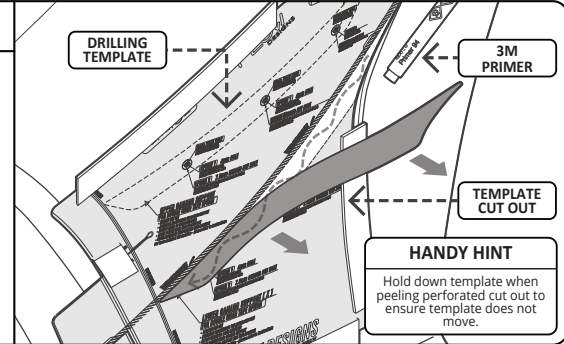
### STEP 5

- Prime and apply **Double Sided tape** to the back of the assembled canard support.



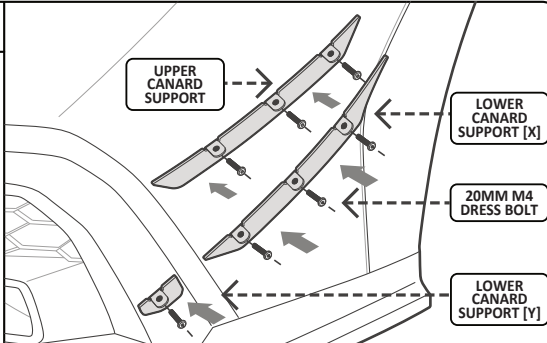
### STEP 6

- Peel perforated cut out on template before applying primer to the vehicle.
- Remove tape backing and align canard support to cutout in template.



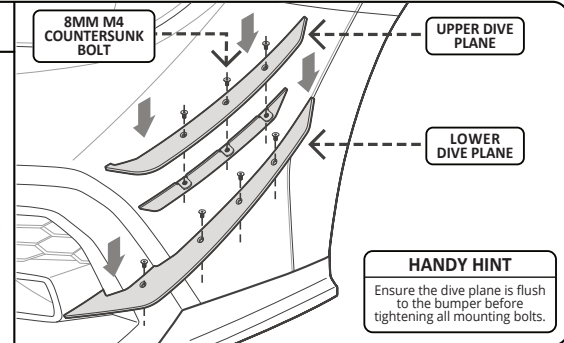
### STEP 7

- Stick the assembled upper and lower canard supports to the vehicle and secure using **mounting bolts** if mechanical fastening is used.
- Remove template from front bumper.



### STEP 8

- Align the **Lower Dive plane** to the canard support first.
- Mount the lower dive plane to the canard support using mounting bolts.
- Once the lower dive plane is installed, align and mount the upper dive plane to the upper supports.
- Tighten all bolts to finish installation.



## UPPER CANARD FITTING KIT

### OPTION 1

M4  
NUT & 9MM  
WASHER  
**X 6**

### OPTION 2

M4  
RUBBER NUT  
**X 6**

### CANARD SUPPORT MOUNTING BOLTS

DRESS BOLT  
BLACK STAINLESS  
M4 X 20MM  
**X 6**

### DIVE PLANE MOUNTING BOLTS

COUNTERSUNK BOLT  
BLACK STAINLESS  
M4 X 8MM  
**X 6**

### MOUNTING BRACKETS

**X 6**

### ALCOHOL SWAB + PRIMER

ALCOHOL SWAB  
**X 2**

### DOUBLE SIDED TAPE

3M DOUBLE SIDED TAPE SET  
**X 1**

