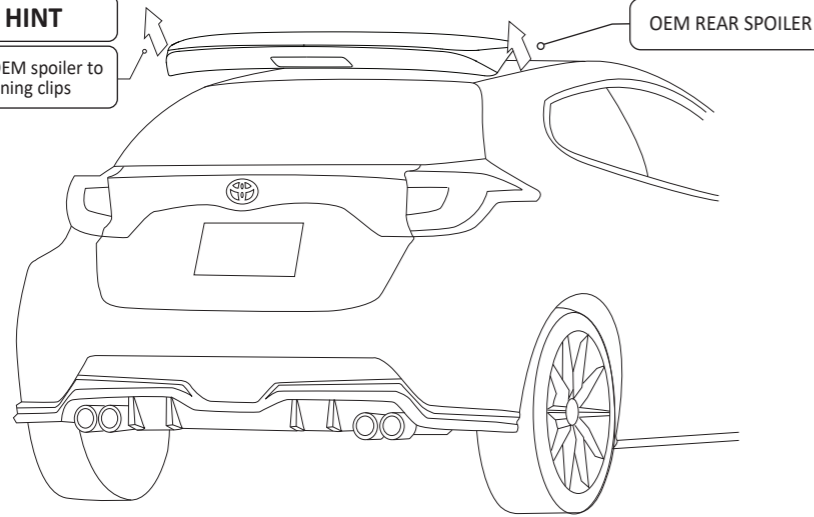


# FITTING GUIDE

## TOYOTA YARIS GR - REAR SPOILER EXTENSION

### HANDY HINT

Pull from side of OEM spoiler to release remaining clips



OEM REAR SPOILER

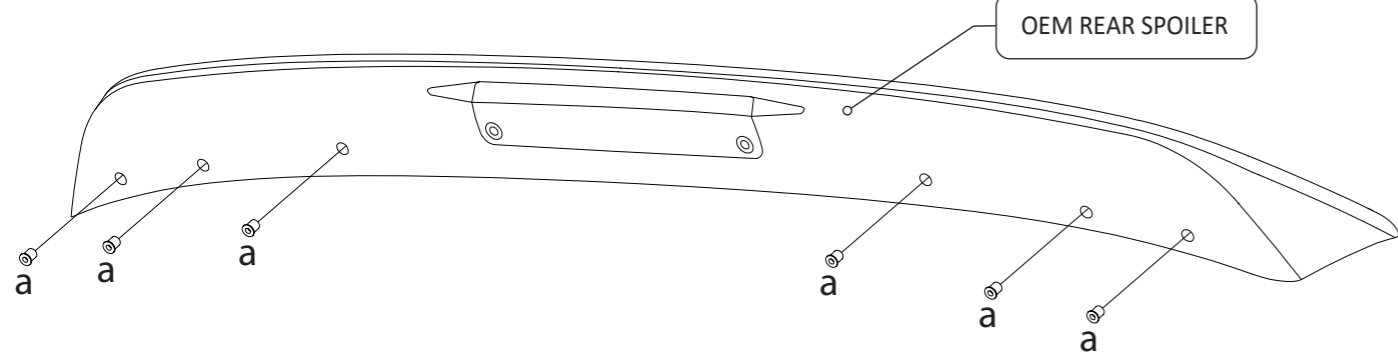
### HANDY HINTS

BOLT BOLT

5 Bolts attaching the OEM Spoiler to rear tailgate can be found on the **INSIDE** of the rear tailgate

### STEP 1

- Open rear tailgate to remove OEM Spoiler
- Remove plastic trim on tailgate and unclip brake light
- Remove the 5 bolts attaching the OEM Spoiler to the tailgate
- Close tailgate carefully and pull OEM Spoiler from the side to release remaining clips



OEM REAR SPOILER

### STEP 3

- Insert rubber nuts (a.) into OEM Spoiler

### FITTING KIT

a

M5 Rubber Nuts

X 6

PLEASE NOTE:  
DRILLING REQUIRED  
TO FASTEN TO OEM SPOILER  
DO NOT OVERTIGHTEN

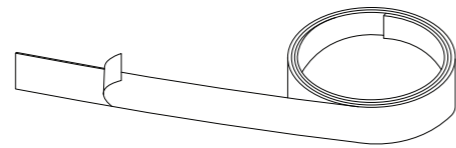
b

M5 BOLT  
25mm LONG

X 6

PLEASE NOTE:  
DRILLING REQUIRED  
TO FASTEN TO OEM SPOILER  
DO NOT OVERTIGHTEN

3m of DOUBLE SIDED TAPE



ALCOHOL SWAB



3M ADHESION PROMOTER

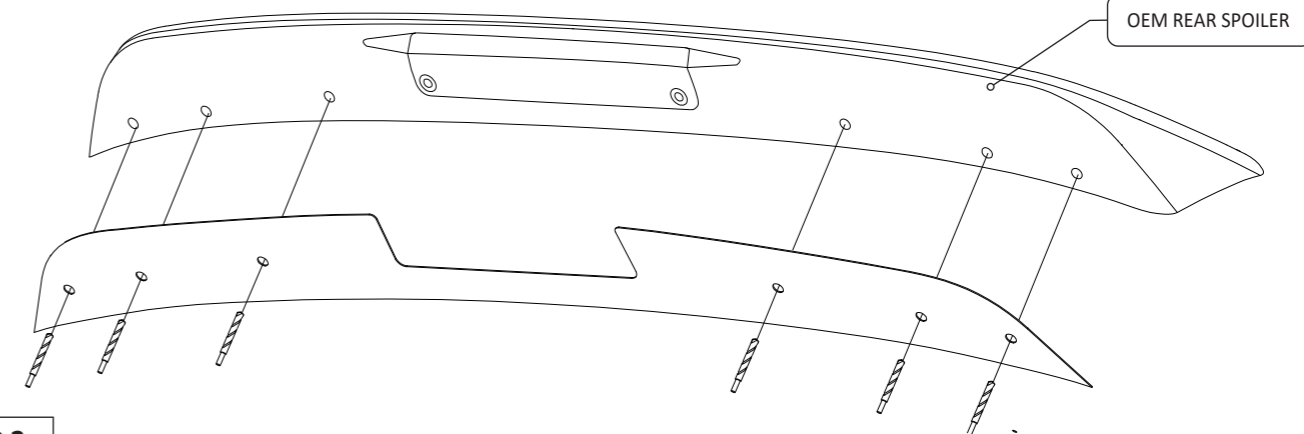


### INSTALLATION AND FITTING SERVICES

If you are having any difficulties please seek professional advise from the listed International and Domestic Authorised Dealers on our website.

[www.flowdesignsaustralia.com](http://www.flowdesignsaustralia.com)

## OEM REAR SPOILER REMOVAL REQUIRED

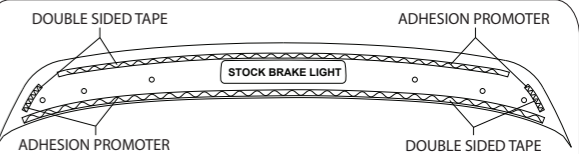


OEM REAR SPOILER

### STEP 2

- Align paper template with OEM Rear Spoiler and mark out drill holes
- Drill out 10mm hole using a step drill bit

### HANDY HINTS

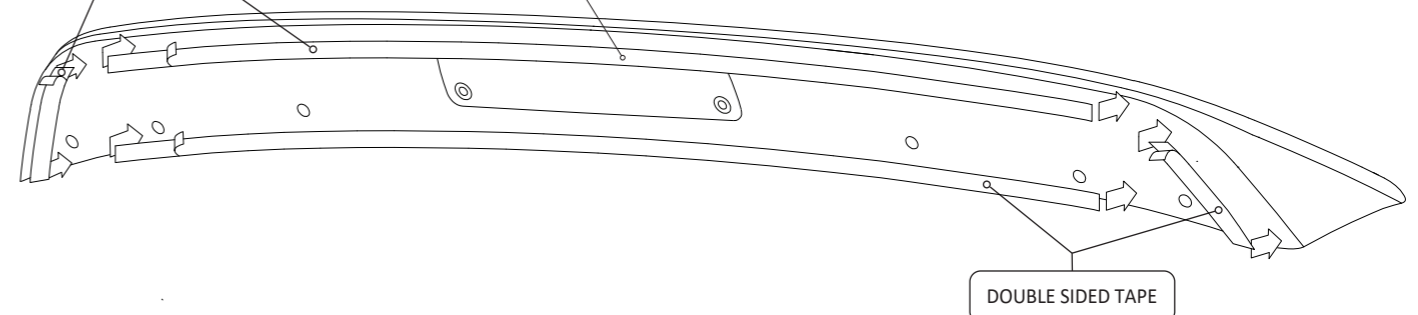


Use above diagram as a guide for where to stick double sided tape

### HANDY HINT

Clean surface with an alcohol swab, then apply 3M Adhesion Promoter let it dry before applying double sided tape

DOUBLE SIDED TAPE



DOUBLE SIDED TAPE

### STEP 4

- Apply double sided tape to OEM Rear Spoiler

**FLOW**  
DESIGNS

FLOW DESIGNS AUSTRALIA  
ABN : 99 605 842 199  
FACTORY 11  
6-7 NICOLE CLOSE  
BAYWATER NORTH  
VIC. 3153



#### TERMS AND CONDITIONS : MISUSE OF GOODS

This Product application is not intended for public road registered vehicles within Australia. Regulations may vary from Countries outside of Australia. Please check your Country's and State's road regulations before installing on a vehicle intended for public road use.

Flow Designs Australia PTY LTD will not be liable for any liabilities in relation to any use of the goods other than in strict accordance with the Company's instructions and for the purpose and application for which the goods were supplied by the Company.

The Client undertakes with the Company:

- That it will acquaint itself with the requirements of all relevant government or statutory and other authorities, bodies or corporations relating to the goods and/or services and to the applications to which the goods and/or services are to be put.
- That at all times while the goods are in its possession or under its control it will comply with such requirements.
- That it will procure that any purchaser of goods from it will also acquaint itself with, and will comply with, such requirements.
- That it will indemnify the Company against any liability resulting from a breach of any such requirements.

[www.flowdesignsaustralia.com](http://www.flowdesignsaustralia.com)

# FITTING GUIDE

## TOYOTA YARIS GR - REAR SPOILER EXTENSION

### INSTALLATION AND FITTING SERVICES

If you are having any difficulties please seek professional advice from the listed International and Domestic Authorised Dealers on our website.

[www.flowdesignsaustralia.com](http://www.flowdesignsaustralia.com)

**OEM REAR SPOILER  
REMOVAL REQUIRED**

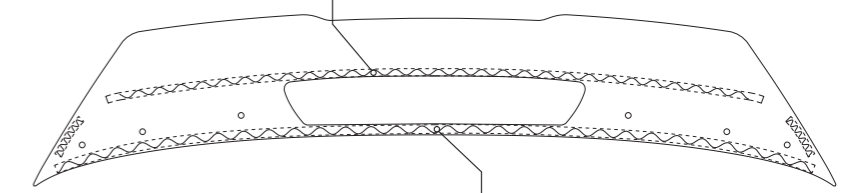
### STEP 5

- Choose between texture or gloss side face up. Gloss side has no engraved logo, optional Flow Designs Sticker provided.
- Using the bolts (b.), install Flow Designs Rear Spoiler Extension to OEM Rear Spoiler
- Ensure to apply pressure to Flow Designs Rear Spoiler Extension for correct alignment
- Reinstall OEM Rear Spoiler to car

**PLEASE NOTE : DO NOT OVERTIGHTEN - These bolts do not need to be very tight.**

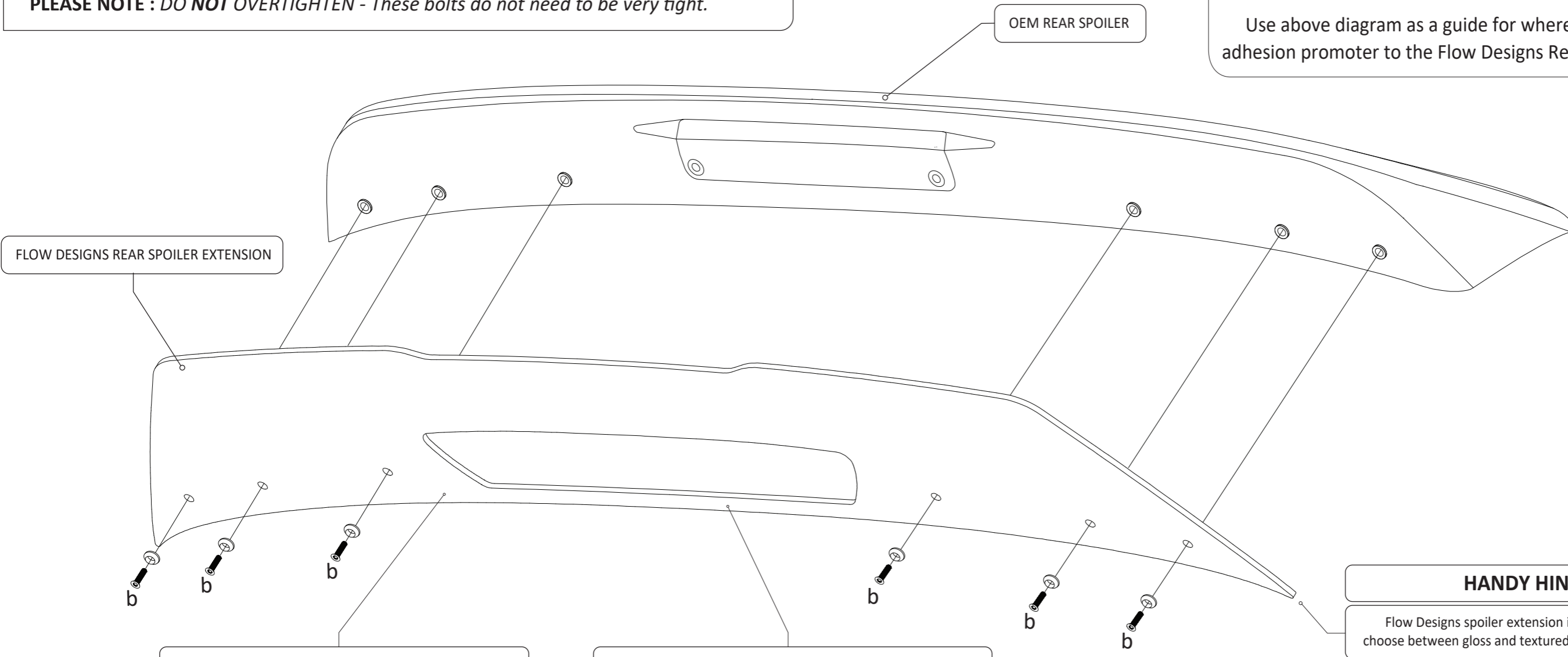
### HANDY HINTS

APPLY ADHESION PROMOTER WITHIN DASHED LINES



APPLY ADHESION PROMOTER WITHIN DASHED LINES

Use above diagram as a guide for where to apply the 3M adhesion promoter to the Flow Designs Rear Spoiler Extension



### HANDY HINT

- Clean surface with an alcohol swab, then apply 3M adhesion promoter and let it dry
- Once stuck to OEM Spoiler, hold in place for 10 minutes. **DO NOT** wash or drive car within 12 hours of installation

### HANDY HINT

- Flow Designs Rear Spoiler Extension needs to be flexed for correct alignment to OEM Spoiler.
- Apply firm pressure to ensure Flow Designs Rear Spoiler Extension to ensure extension adheres to OEM Rear Spoiler and aligns correctly

### HANDY HINT

Flow Designs spoiler extension is reversible, choose between gloss and textured side as desired