

FITTING GUIDE

TOYOTA YARIS GR - FIRE EXTINGUISHER BRACKET

INSTALLATION AND FITTING SERVICES

If you are having any difficulties please seek professional advise from the listed International and Domestic Authorised Dealers on our website.

www.flowdesignsaustralia.com

**SEAT REMOVAL
NOT REQUIRED**

STEP 1

- Fasten fire extinguisher mount to Flow Designs Bracket using bolts (a.)
- Attach fire extinguisher to fire extinguisher mount

PLEASE NOTE : FIRE EXTINGUISHER AND FIRE EXTINGUISHER MOUNT NOT INCLUDED WITH PURCHASE OF FLOW DESIGNS FIRE EXTINGUISHER BRACKET

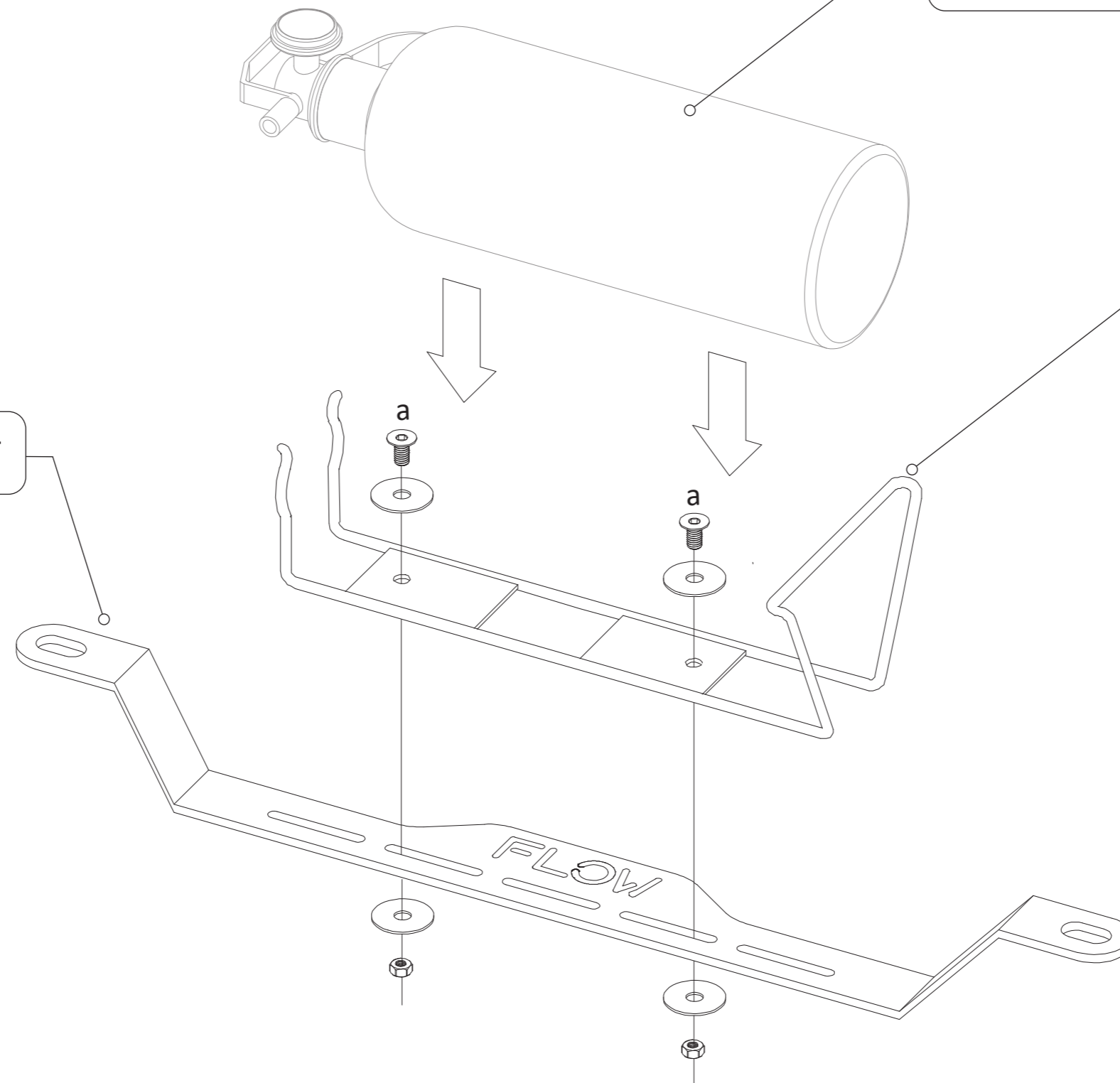
FIRE EXTINGUISHER

(NOT INCLUDED WITH FLOW DESIGNS
FIRE EXTINGUISHER BRACKET)

FIRE EXTINGUISHER MOUNT

(NOT INCLUDED WITH FLOW DESIGNS
FIRE EXTINGUISHER BRACKET)

FIRE EXTINGUISHER BRACKET



FITTING GUIDE

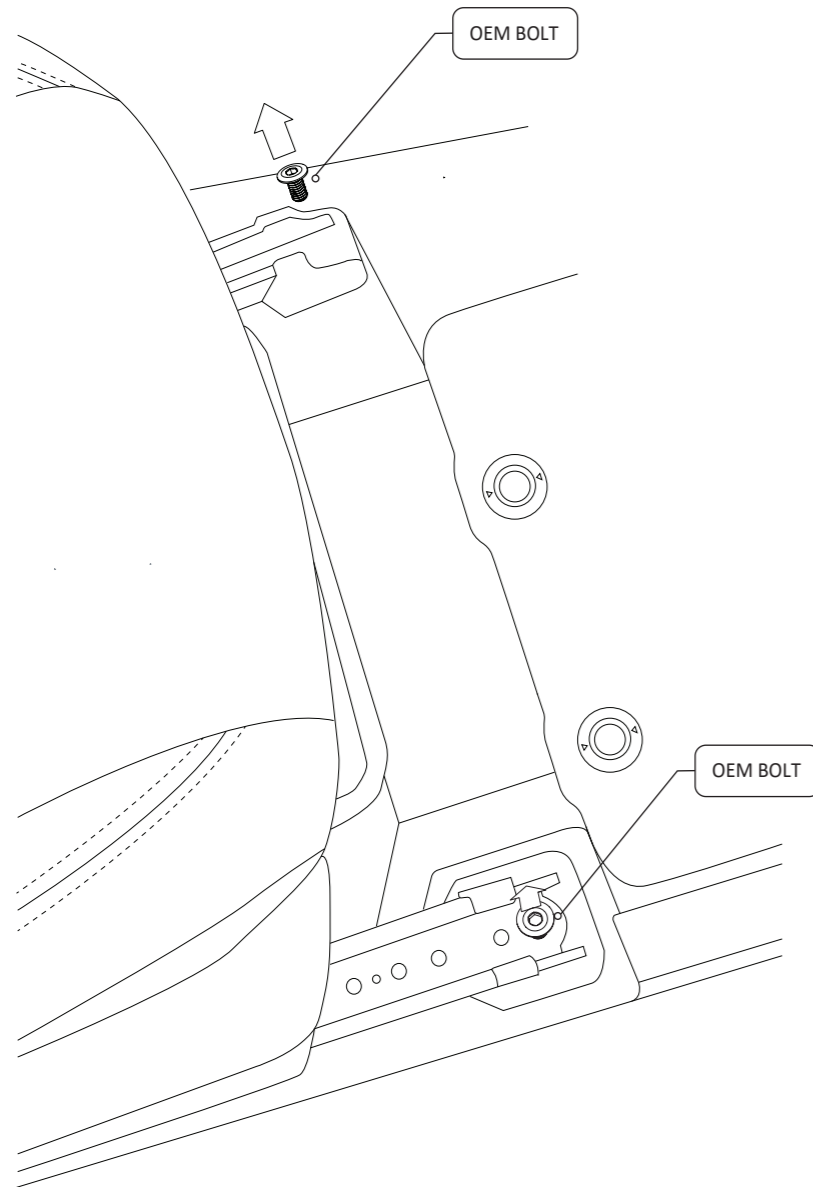
TOYOTA YARIS GR - FIRE EXTINGUISHER BRACKET

INSTALLATION AND FITTING SERVICES

If you are having any difficulties please seek professional advise from the listed International and Domestic Authorised Dealers on our website.

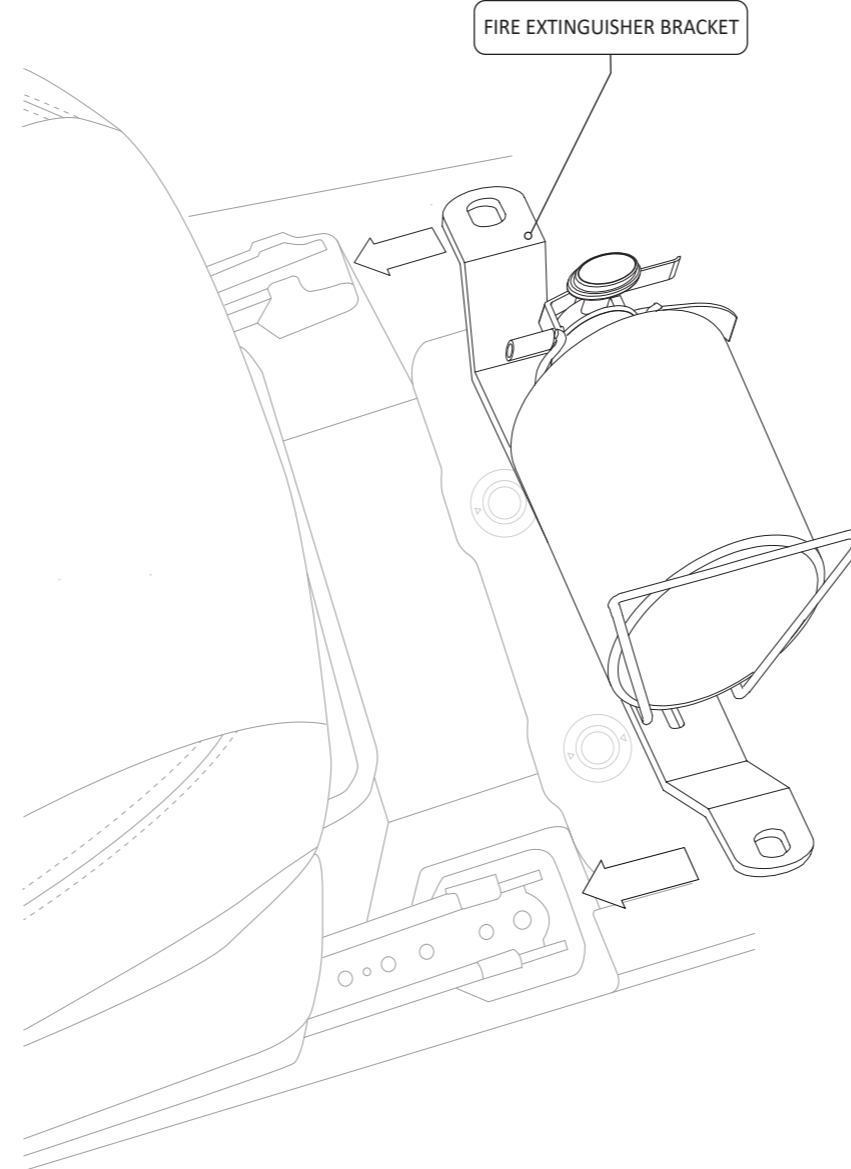
www.flowdesignsaustralia.com

SEAT REMOVAL NOT REQUIRED



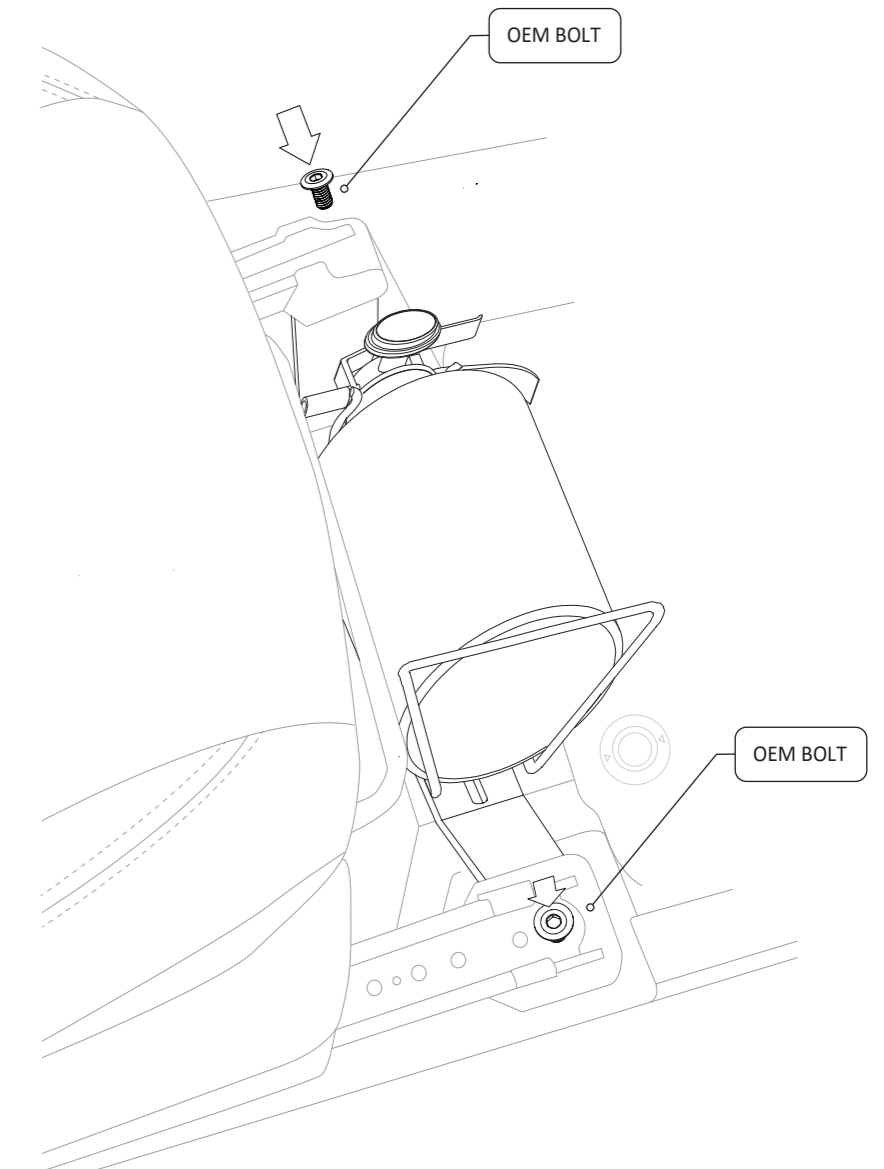
STEP 2

- Choose whether you want to install fire extinguisher in driver seat or passenger seat
- Slide seat to back position
- Remove two OEM bolts attaching seat rail to car



STEP 3

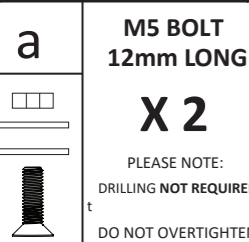
- Slide the Flow Designs Fire Extinguisher Bracket **underneath** the seat rail



STEP 4

- Reinstall the seat rail's OEM bolts, ensuring the Flow Designs Extinguisher bracket is also fastened

FITTING KIT



TERMS AND CONDITIONS : MISUSE OF GOODS
This Product application is not intended for public road registered vehicles within Australia. Regulations may vary from Countries outside of Australia. Please check your Country's and State's road regulations before installing on a vehicle intended for public road use.
Flow Designs Australia PTY LTD will not be liable for any liabilities in relation to any use of the goods other than in strict accordance with the Company's instructions and for the purpose and application for which the goods were supplied by the Company.
The Client undertakes with the Company:
• That it will acquaint itself with the requirements of all relevant government or statutory and other authorities, bodies or corporations relating to the goods and/or services and to the applications to which the goods and/or services are to be put.
• That at all times while the goods are in its possession or under its control it will comply with such requirements.
• That it will procure that any purchaser of goods from it will also acquaint itself with, and will comply with, such requirements.
• That it will indemnify the Company against any liability resulting from a breach of any such requirements.
www.flowdesignsaustralia.com