

FITTING DIAGRAM

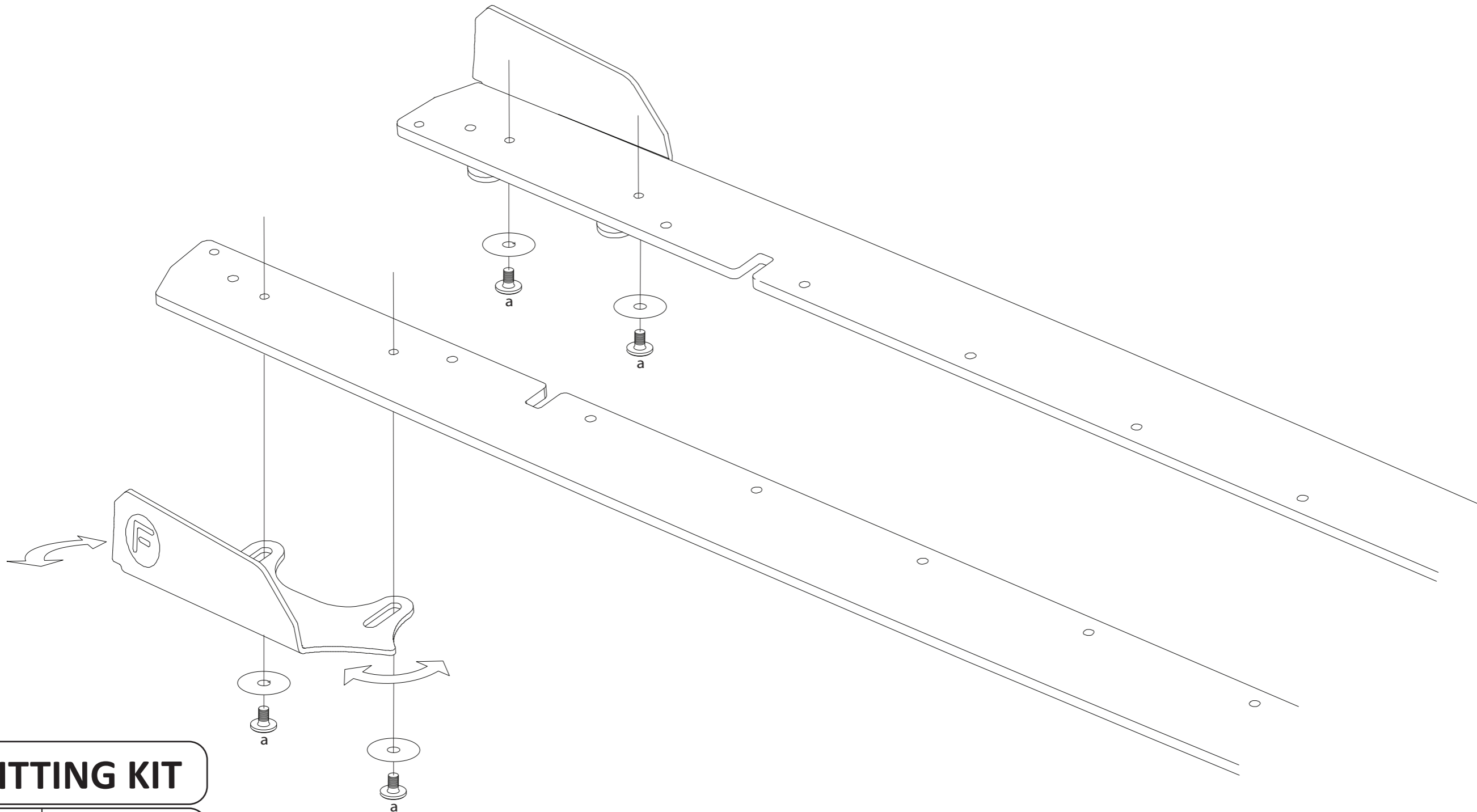
TOYOTA MZEA12R COROLLA: ADJUSTABLE SIDE WINGLETS

INSTALLATION AND FITTING SERVICES

If you are having any difficulties please seek professional advice from the listed International and Domestic Authorised Dealers on our website.

www.flowdesignsaustralia.com

**SIDE SKIRT REMOVAL
NOT REQUIRED**



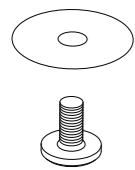
FITTING KIT

a

M6 BOLT
12mm LONG

X 4

PLEASE NOTE:
HAND TIGHTEN
DO NOT OVERTIGHTEN



PLEASE NOTE
FOR ADD ON ACCESSORIES

DO NOT
OVERTIGHTEN FASTENERS
INTO BRASS FITTINGS

HAND TIGHTEN ONLY

FLOW DESIGNS

FLOW DESIGNS AUSTRALIA
ABN - 99 605 942 199
FACTORY 11
6-7 NICOLE CLOSE
BAYSWATER NORTH
VIC. 3153

DESIGNED AND MANUFACTURED IN AUSTRALIA

TERMS AND CONDITIONS : MISUSE OF GOODS

By taking possession of this Flow Designs Australia product, you (the buyer) agree that you have read, understood and will comply with the following disclaimer:

- This product may not be suitable for road use in your area. We cannot be held liable for any penalties or infringements that may occur after installing any of our products.
- We cannot guarantee that this product will comply with subsequent aftermarket products you have applied to your vehicle.
- It is not legal to fit parts onto a road registered vehicle unless it carries and meets the design rules and public road regulations of your area, region and/or country.
- We do make our best effort to consider safety when designing our products, we want the scene to be a safe place for everyone!

This disclaimer absolves us (Flow Designs Australia) of any and all liability for breaches to any requirement as a result of installation of our products.

www.flowdesignsaustralia.com