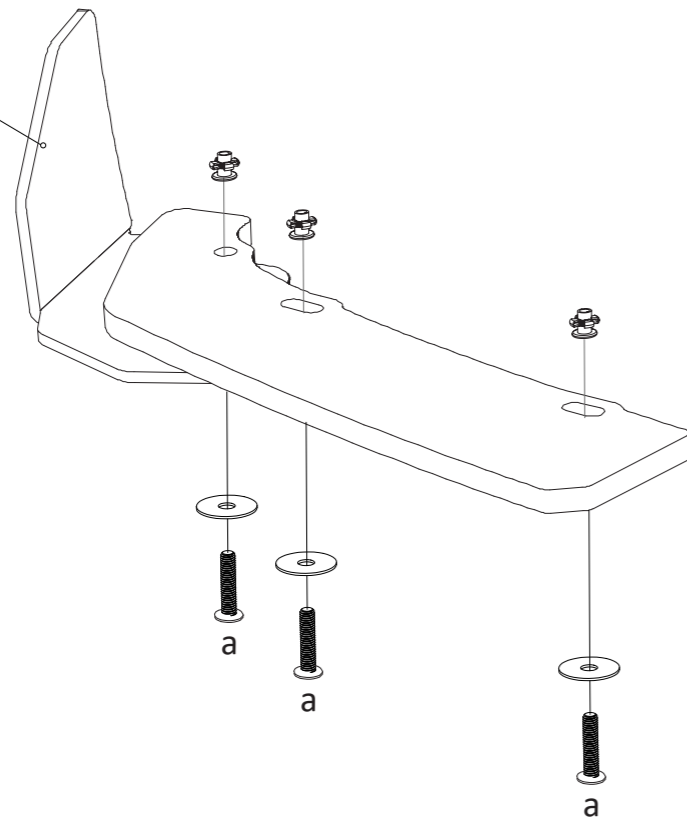


FITTING DIAGRAM

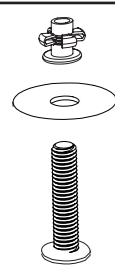
TOYOTA YARIS GR REAR SPATS + ADJUSTABLE REAR WINGLETS

OPTIONAL
ADJUSTABLE REAR SPAT WINGLET
(NOT INCLUDED)



FITTING KIT

a



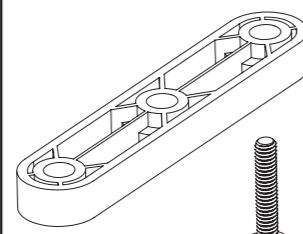
M6 BOLT
30mm LONG

X 6

PLEASE NOTE:
DRILLING REQUIRED
TO FASTEN TO BUMPER

PLEASE USE 11mm DRILL BIT

COMPRESSION TOOL



3 HOLE AEROSPACER x 1



30mm BOLT x 1

SPARE JACKNUTS



X 2

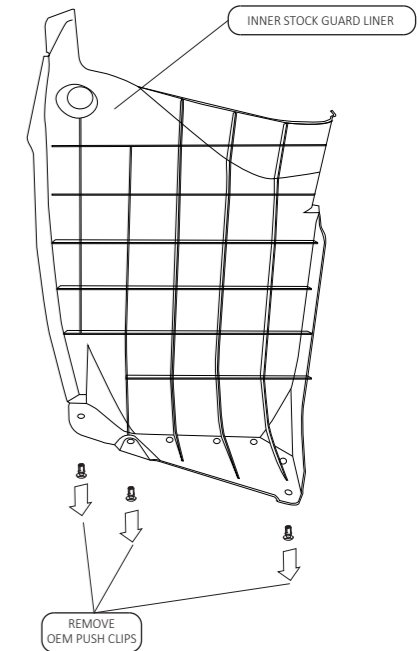
INSTALLATION AND FITTING SERVICES

If you are having any difficulties please seek professional advice from the listed International and Domestic Authorised Dealers on our website.

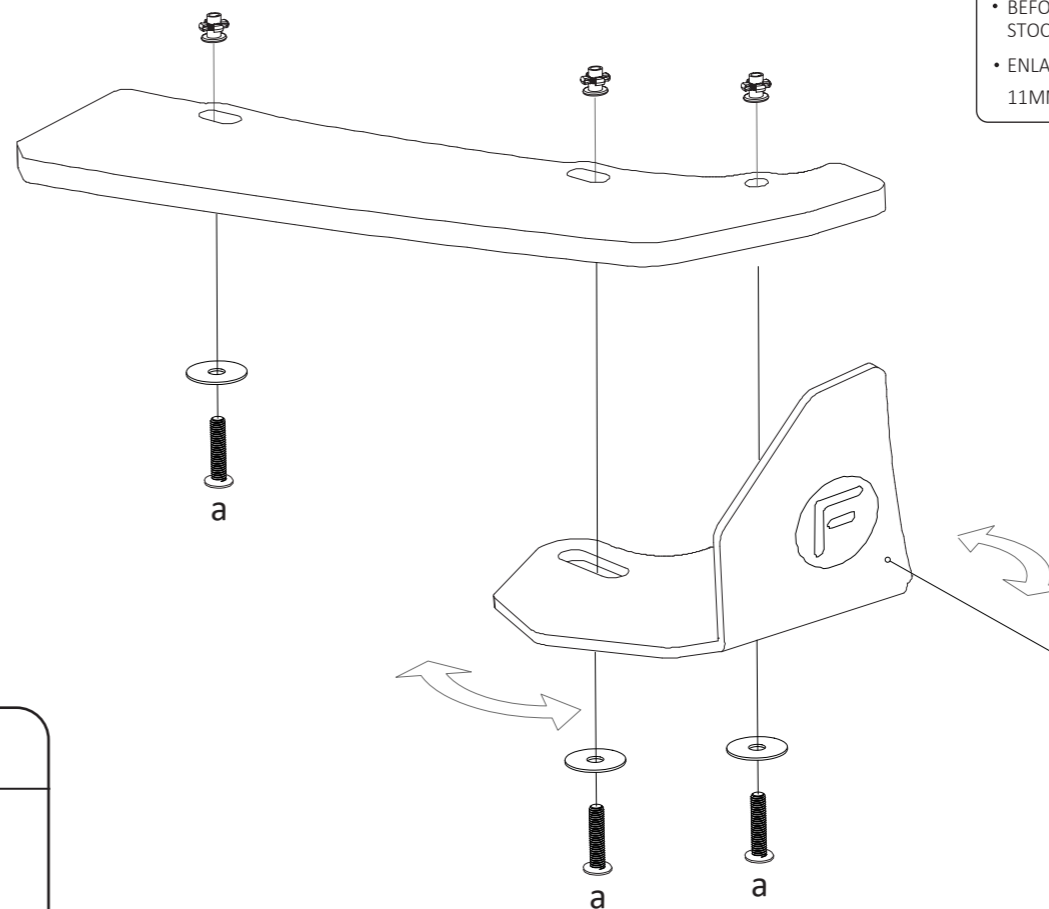
www.flowdesignsaustralia.com

BUMPER REMOVAL NOT REQUIRED

HANDY HINT



- BEFORE SPAT INSTALLATION REMOVE REAR INNER STOCK GUARD LINER OEM PUSH CLIPS
- ENLARGE INNER STOCK GUARD LINER HOLES USING AN 11MM DRILL BIT



OPTIONAL
ADJUSTABLE REAR SPAT WINGLET
(NOT INCLUDED)