

FITTING GUIDE

SUBARU WRX/RS NB HATCH: FIRE EXTINGUISHER BRACKET

INSTALLATION AND FITTING SERVICES

If you are having any difficulties please seek professional advice from the listed International and Domestic Authorised Dealers on our website.

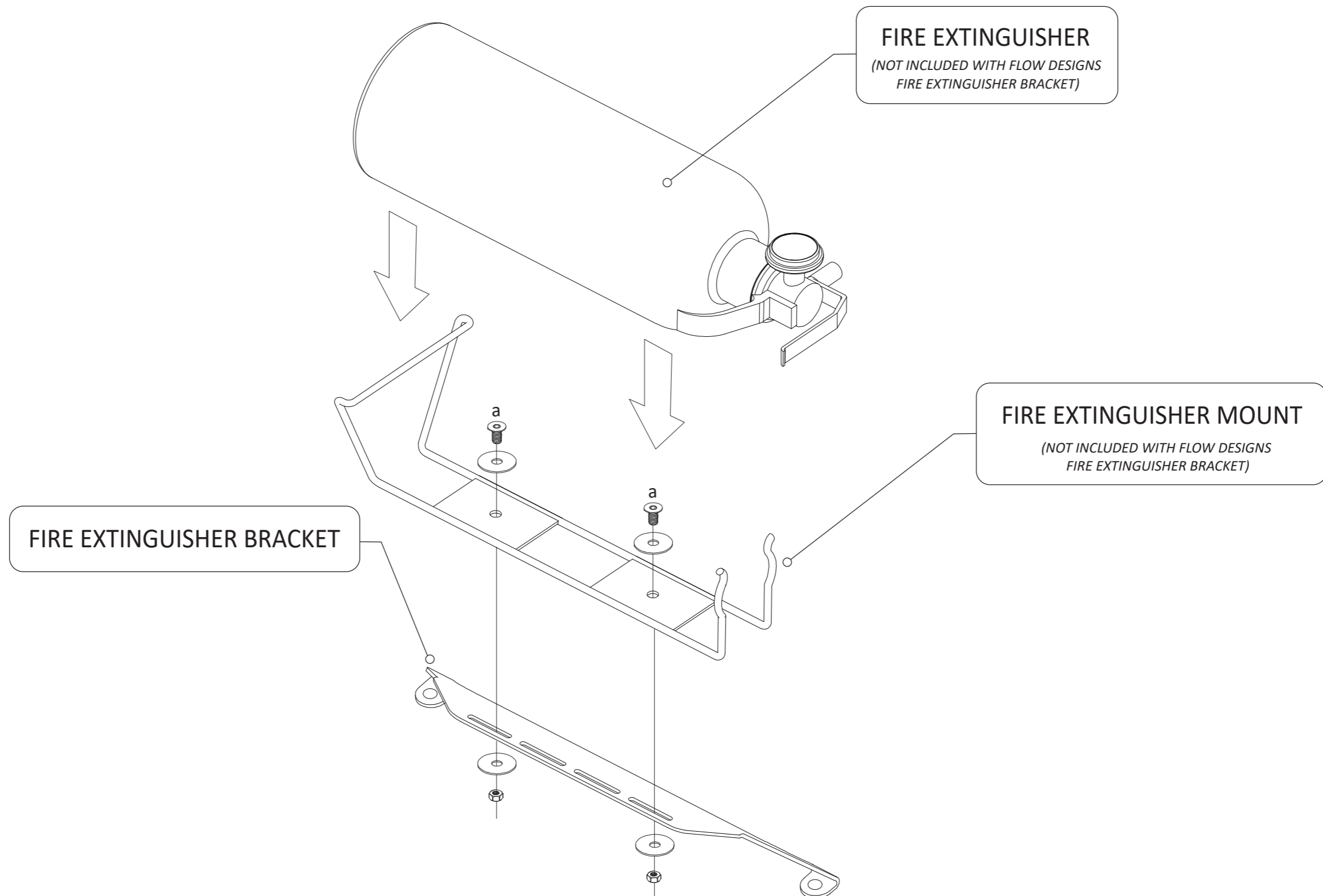
www.flowdesignsaustralia.com

**SEAT REMOVAL
NOT REQUIRED**

STEP 1

- Fasten fire extinguisher mount to Flow Designs Bracket using bolts (a.)

PLEASE NOTE : FIRE EXTINGUISHER AND FIRE EXTINGUISHER MOUNT NOT INCLUDED WITH PURCHASE OF FLOW DESIGNS FIRE EXTINGUISHER BRACKET



FITTING GUIDE

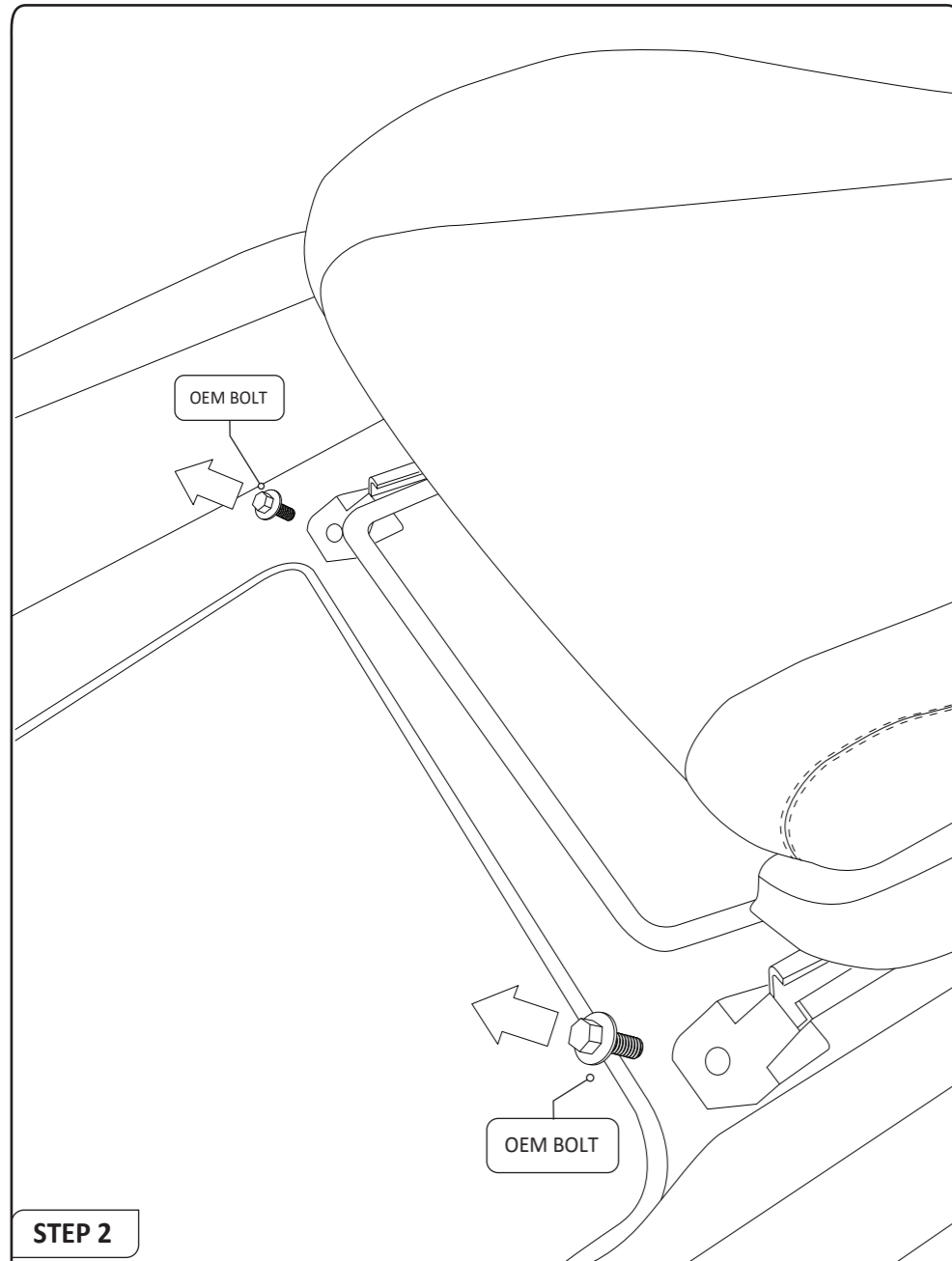
SUBARU WRX/RS NB HATCH - FIRE EXTINGUISHER BRACKET PAGE 2

INSTALLATION AND FITTING SERVICES

If you are having any difficulties please seek professional advice from the listed International and Domestic Authorised Dealers on our website.

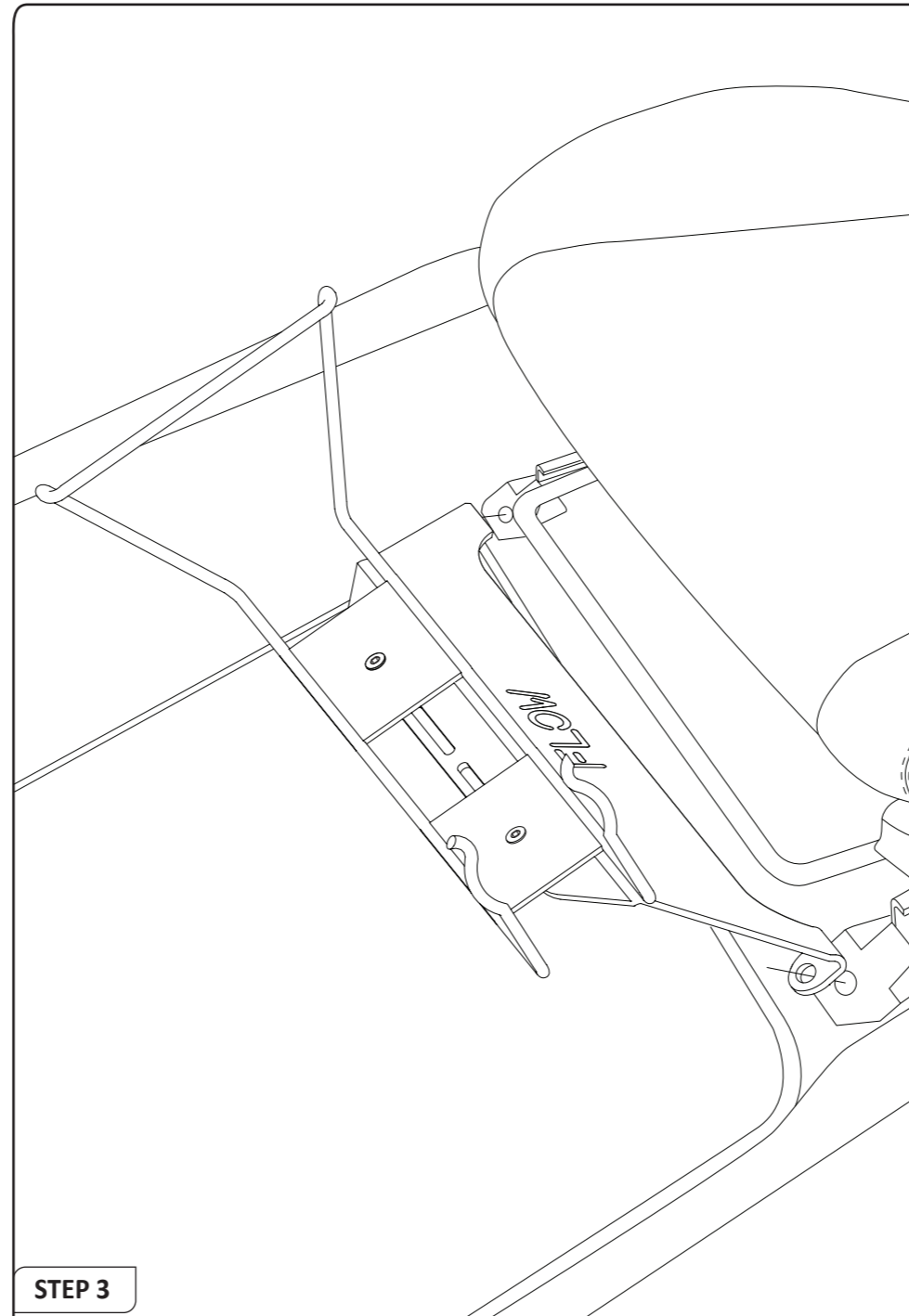
www.flowdesignsaustralia.com

**SEAT REMOVAL
NOT REQUIRED**



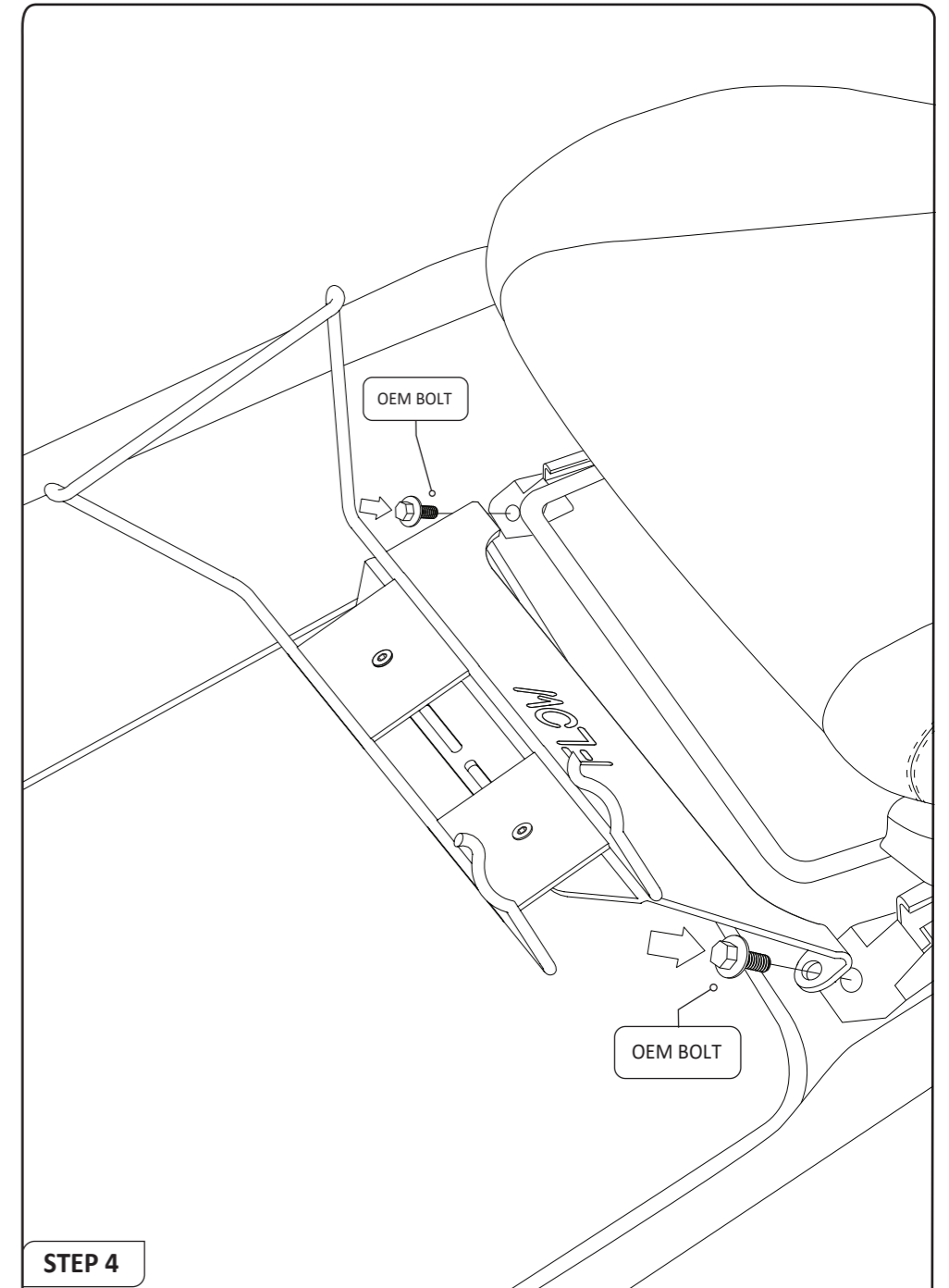
STEP 2

- Choose whether you want to install fire extinguisher in driver seat or passenger seat
- Slide seat to back position
- Remove two OEM bolts attaching seat rail to car



STEP 3

- Align the Flow Designs Fire Extinguisher Bracket with the OEM bolt holes



STEP 4

- Reinstall and tighten all the seat rail's OEM bolts, ensuring the Flow Designs Extinguisher bracket is also fastened

FITTING KIT

| | |
|---------------------------------------|------------------------------|
| a | M5 BOLT 12mm LONG |
| | X 2 |
| PLEASE NOTE: DRILLING NOT REQUIRED | |
| DO NOT OVERTIGHTEN | |

| | | |
|---|--|---|
| FLOW DESIGNS | <small>FLOW DESIGNS AUSTRALIA ABN : 99 605 842 199 FACTORY 11 6-7 NICOLE CLOSE BAYSWATER NORTH VIC. 3153</small> | <small>DESIGNED AND MANUFACTURED IN AUSTRALIA</small> |
| TERMS AND CONDITIONS : MISUSE OF GOODS This Product application is not intended for public road registered vehicles within Australia. Regulations may vary from Countries outside of Australia. Please check your Country's and State's road regulations before installing on a vehicle intended for public road use. Flow Designs Australia PTY LTD will not be liable for any liabilities in relation to any use of the goods other than in strict accordance with the Company's instructions and for the purpose and application for which the goods were supplied by the Company. The Client undertakes with the Company: • That it will acquaint itself with the requirements of all relevant government or statutory and other authorities, bodies or corporations relating to the goods and/or services and to the applications to which the goods and/or services are to be put. • That at all times while the goods are in its possession or under its control it will comply with such requirements. • That it will procure that any purchaser of goods from it will also acquaint itself with, and will comply with, such requirements. • That it will indemnify the Company against any liability resulting from a breach of any such requirements. | | |
| <small>www.flowdesignsaustralia.com</small> | | |