

FITTING DIAGRAM

VW MK7 GOLF R : REAR VALANCE + ADJUSTABLE FAIRING

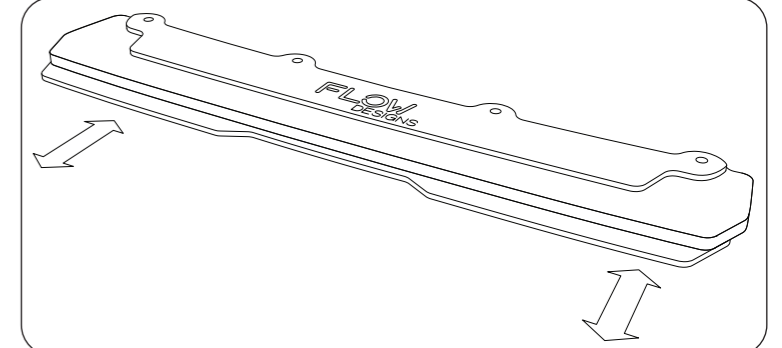
INSTALLATION AND FITTING SERVICES

If you are having any difficulties please seek professional advise from the listed International and Domestic Authorised Dealers on our website.

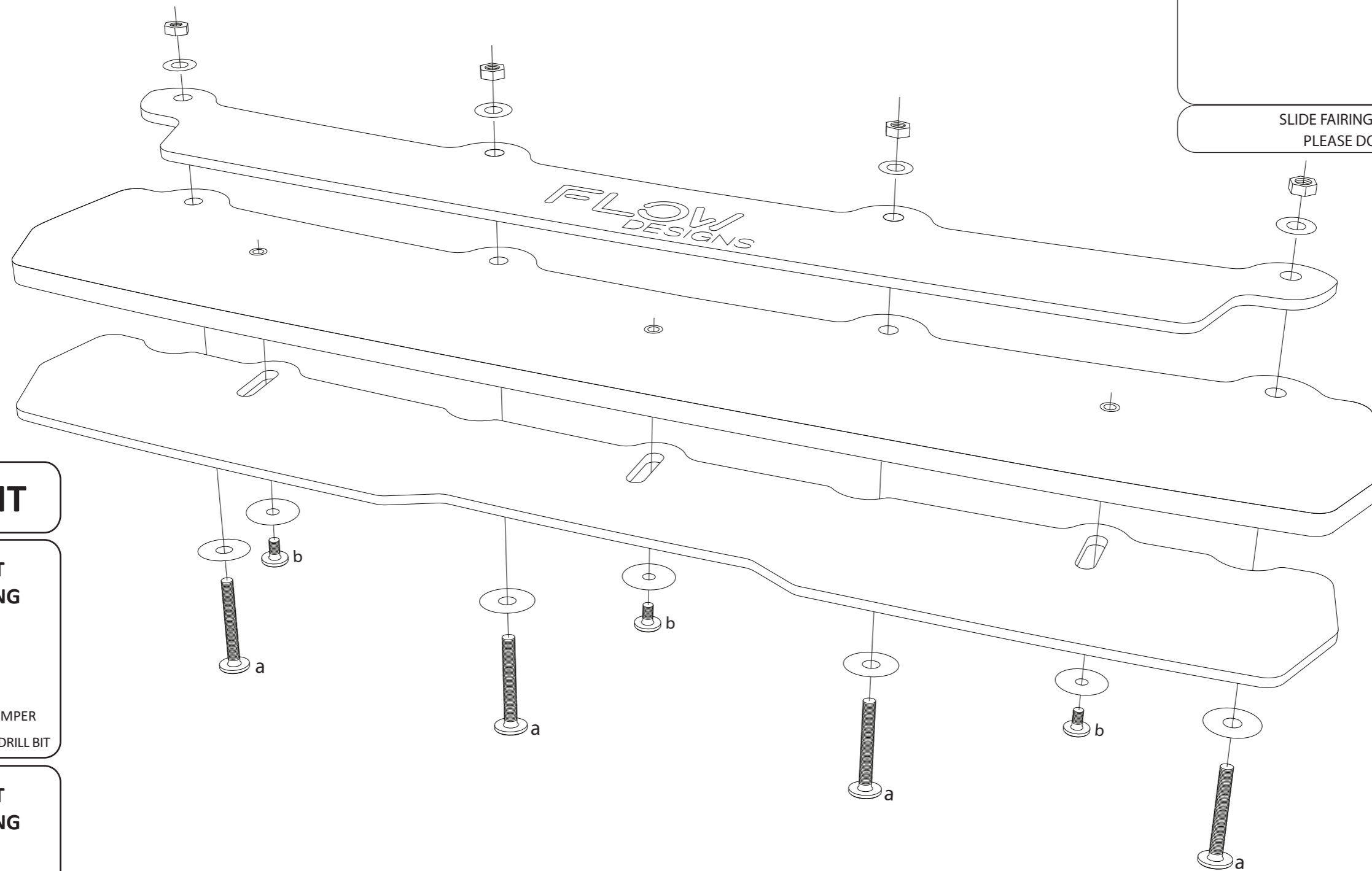
www.flowdesignsaustralia.com

**BUMPER REMOVAL
NOT REQUIRED**

HANDY HINTS



SLIDE FAIRING IN/OUT TO YOUR LIKING
PLEASE DO NOT OVERTIGHTEN



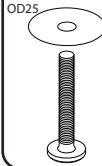
FITTING KIT

a

M6 BOLT
40mm LONG

X 4

OD18
OD25

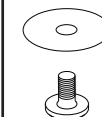


TO FASTEN TO BUMPER
PLEASE USE 8mm DRILL BIT

b

M6 BOLT
12mm LONG

X 3



PLEASE NOTE:
DO NOT OVERTIGHTEN
HAND TIGHTEN ONLY