

FITTING DIAGRAM

VW MK7 GOLF R: REAR SPAT + WINGLETS

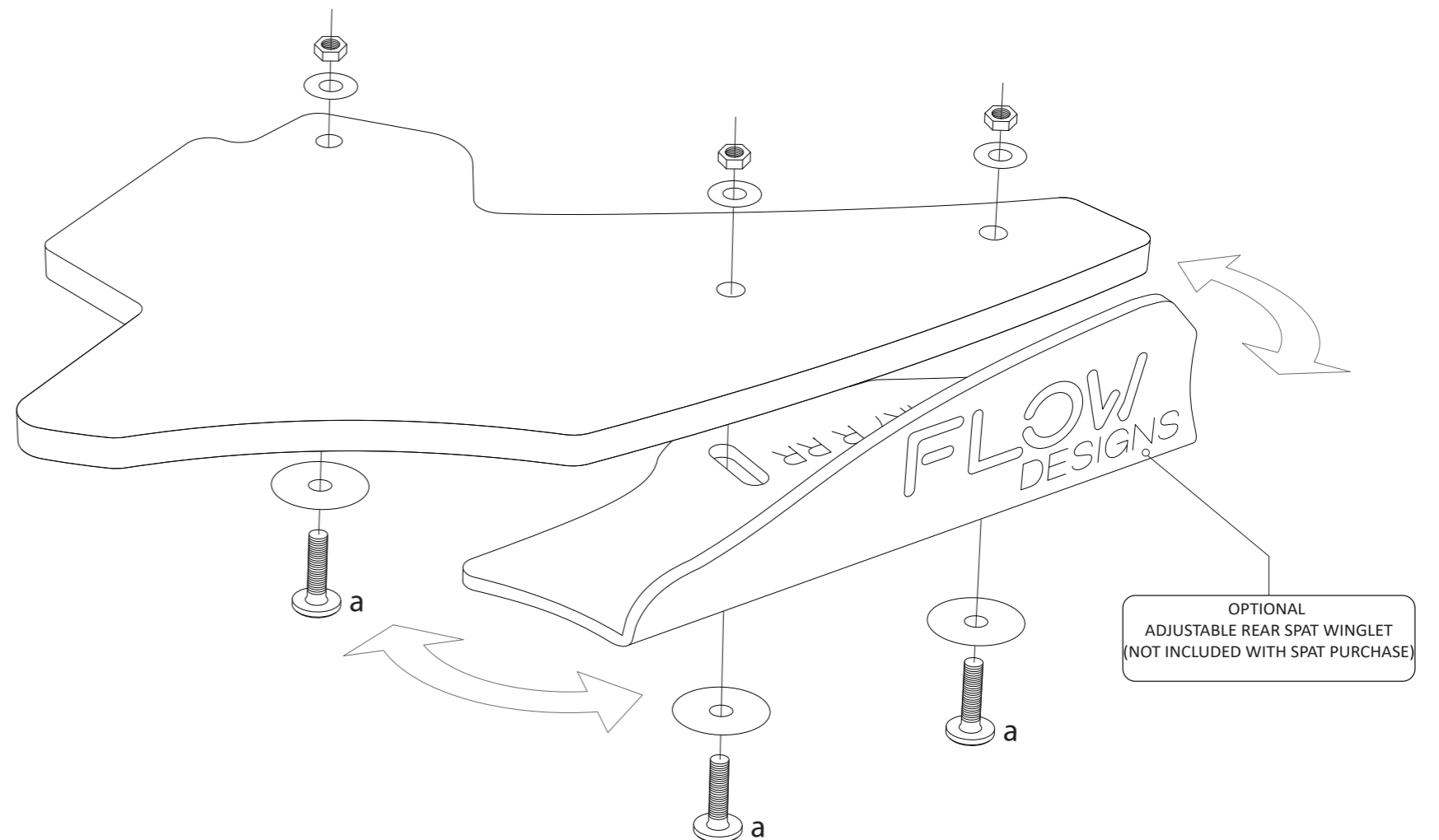
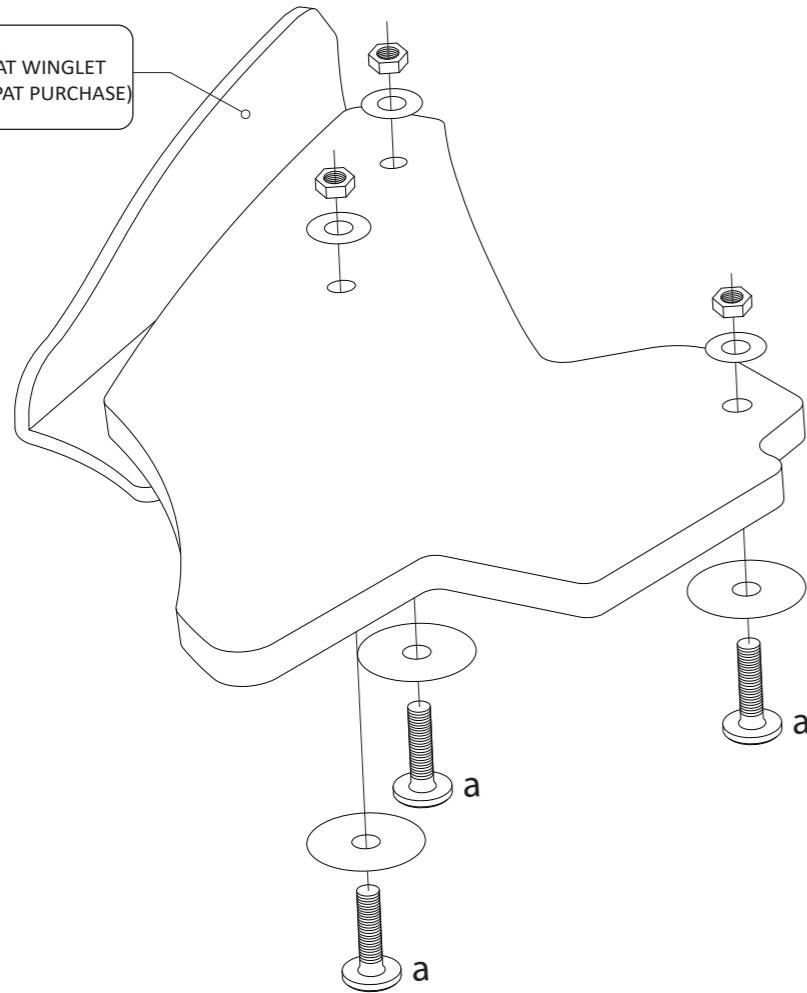
INSTALLATION AND FITTING SERVICES

If you are having any difficulties please seek professional advise from the listed International and Domestic Authorised Dealers on our website.

www.flowdesignsaustralia.com

BUMPER REMOVAL NOT REQUIRED

OPTIONAL
ADJUSTABLE REAR SPAT WINGLET
(NOT INCLUDED WITH SPAT PURCHASE)



FITTING KIT

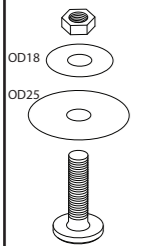
a

**M6 BOLT
30mm LONG**

X 6

PLEASE NOTE:
DRILLING REQUIRED
TO FASTEN TO BUMPER

PLEASE USE 8mm DRILL BIT



OPTIONAL
ADJUSTABLE REAR SPAT WINGLET
(NOT INCLUDED WITH SPAT PURCHASE)