

FITTING INSTRUCTIONS

MITSUBISHI EVOLUTION X: REAR VALANCE KIT

FITTING KIT

a

**M6 BOLT
25mm LONG**

X 4

PLEASE NOTE:
DRILLING REQUIRED
TO FASTEN TO BUMPER



b

**M6 BOLT
40mm LONG**

X 2

PLEASE NOTE:
DRILLING REQUIRED
TO FASTEN TO BUMPER

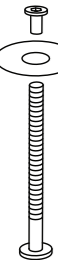


c

**M6 BOLT
65mm LONG**

X 2

PLEASE NOTE:
DRILLING NOT REQUIRED
TO FASTEN TO BUMPER

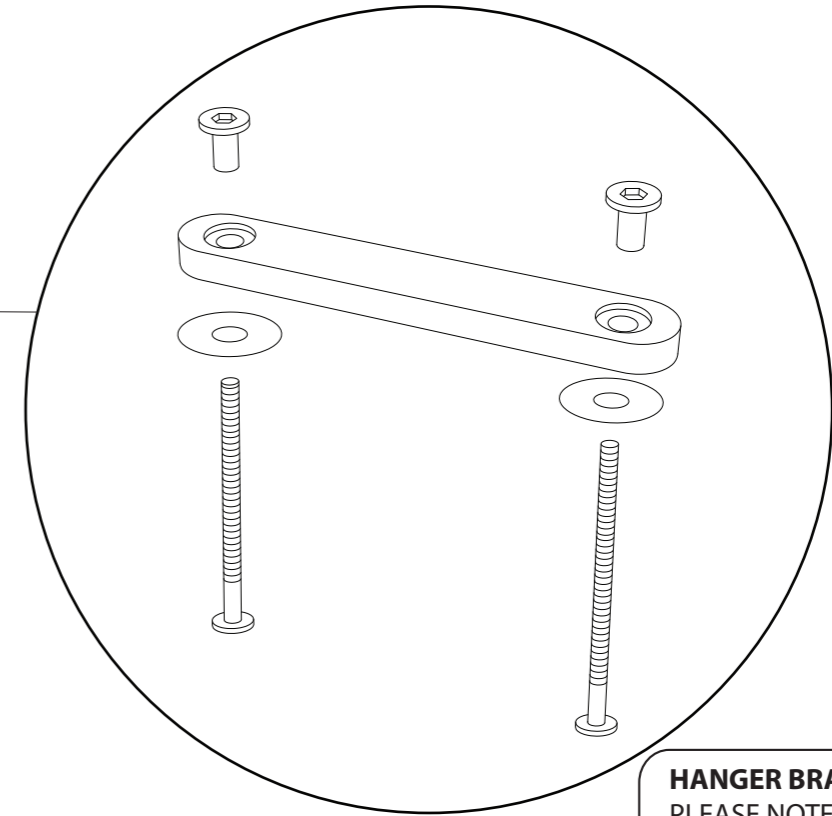
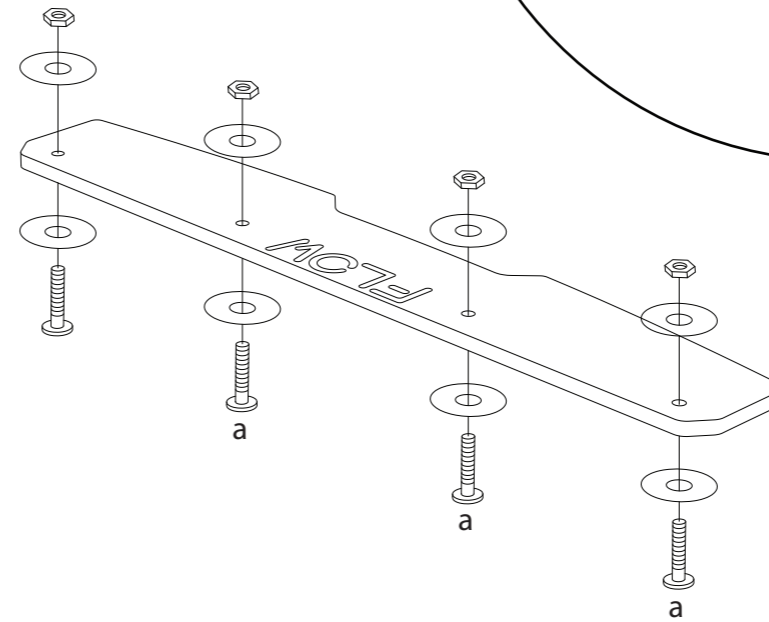
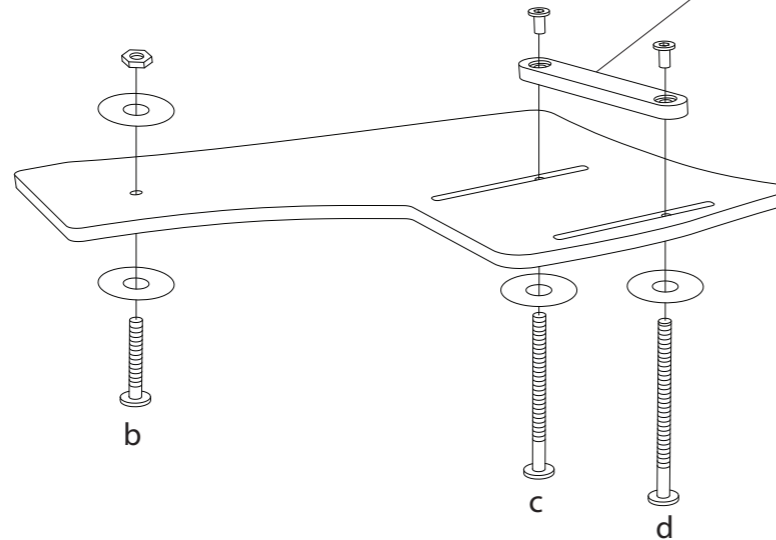
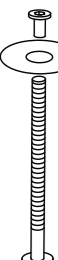


d

**M6 BOLT
75mm LONG**

X 2

PLEASE NOTE:
DRILLING NOT REQUIRED
TO FASTEN TO BUMPER



HANGER BRACKET
PLEASE NOTE: HANGER BRACKET
SITS INSIDE THE BUMPER

LOCATOR SLOTS
PLEASE NOTE: SLOTS ALIGN TO
BUMPER FINNS.

ONCE ALIGNED, USE THE PRE
DRILLED HOLES TO DRILL THROUGH
THE FIN

