

FITTING DIAGRAM

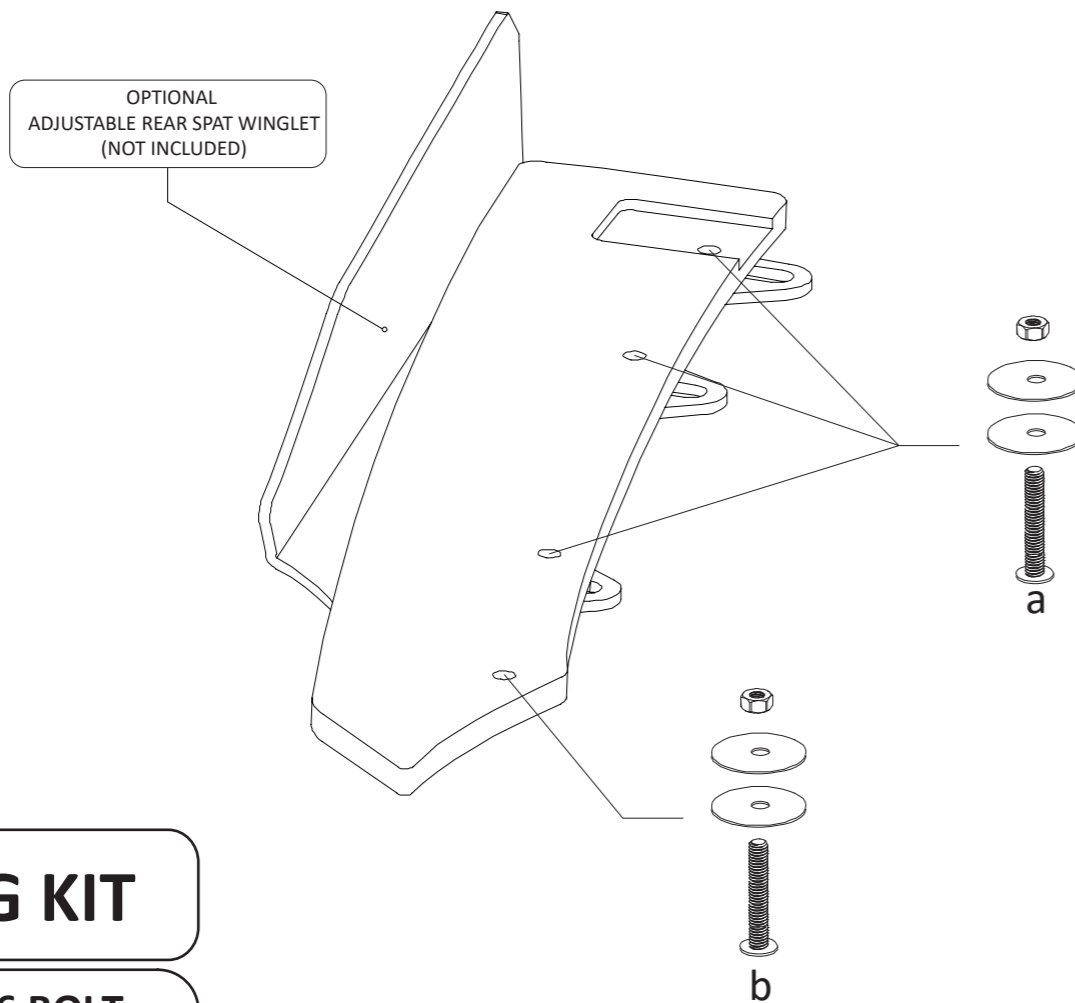
KIA STINGER GT REAR SPATS + ADJUSTABLE REAR WINGLETS

INSTALLATION AND FITTING SERVICES

If you are having any difficulties please seek professional advice from the listed International and Domestic Authorised Dealers on our website.

www.flowdesignsaustralia.com

BUMPER REMOVAL NOT REQUIRED

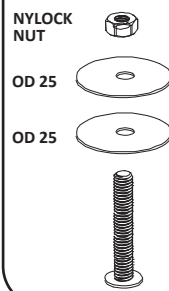


FITTING KIT

a

**M6 BOLT
30mm LONG**

X 6

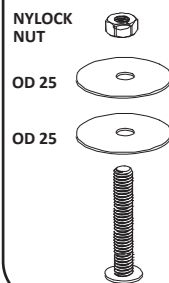


PLEASE NOTE:
DRILLING **NOT REQUIRED**
REPLACES PUSH CLIPS
TO FASTEN TO BUMPER
DO NOT OVERTIGHTEN

b

**M6 BOLT
30mm LONG**

X 2



PLEASE NOTE:
DRILLING **REQUIRED**
TO FASTEN TO BUMPER
DO NOT OVERTIGHTEN

