

# FITTING DIAGRAM

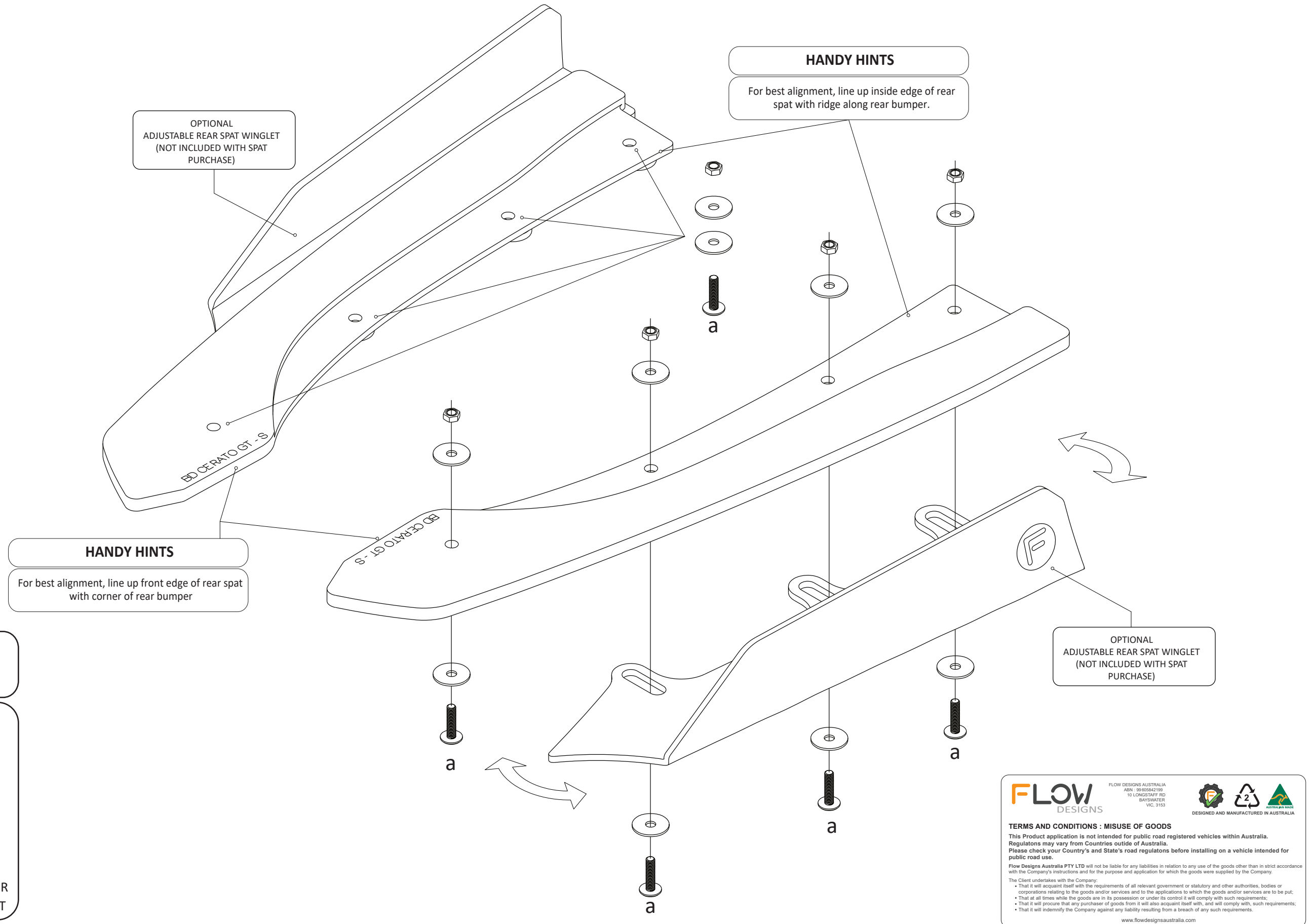
KIA BD CERATO GT PFL SEDAN REAR SPATS + ADJUSTABLE REAR WINGLETS

## INSTALLATION AND FITTING SERVICES

If you are having any difficulties please seek professional advice from the listed International and Domestic Authorised Dealers on our website.

[www.flowdesignsaustralia.com](http://www.flowdesignsaustralia.com)

# BUMPER REMOVAL NOT REQUIRED







OPTIONAL  
ADJUSTABLE REAR SPAT WINGLET  
(NOT INCLUDED WITH SPAT  
PURCHASE)

**HANDY HINTS**  
For best alignment, line up inside edge of rear spat with ridge along rear bumper.

**HANDY HINTS**  
For best alignment, line up front edge of rear spat with corner of rear bumper

OPTIONAL  
ADJUSTABLE REAR SPAT WINGLET  
(NOT INCLUDED WITH SPAT  
PURCHASE)

## FITTING KIT

<b>a</b>	<b>M6 BOLT 25mm LONG</b>  <b>X 8</b>  PLEASE NOTE: <b>DRILLING REQUIRED TO FASTEN TO BUMPER USE AN 8mm DRILL BIT</b>
NYLOCK NUT  OD 25  OD 25  	



**FLOW**  
DESIGNS

FLOW DESIGNS AUSTRALIA  
 ABN : 99 605842199  
 10 LONGSTAFF RD  
 BAYSWATER  
 VIC, 3153



**TERMS AND CONDITIONS : MISUSE OF GOODS**  
 This Product application is not intended for public road registered vehicles within Australia.  
 Regulations may vary from Countries outside of Australia.  
 Please check your Country's and State's road regulations before installing on a vehicle intended for public road use.

Flow Designs Australia PTY LTD will not be liable for any liabilities in relation to any use of the goods other than in strict accordance with the Company's instructions and for the purpose and application for which the goods were supplied by the Company.

The Client undertakes with the Company:

- That it will acquaint itself with the requirements of all relevant government or statutory and other authorities, bodies or corporations relating to the goods and/or services and to the applications to which the goods and/or services are to be put;
- That at all times while the goods are in its possession or under its control it will comply with such requirements;
- That it will procure that any purchaser of goods from it will also acquaint itself with, and will comply with, such requirements;
- That it will indemnify the Company against any liability resulting from a breach of any such requirements.

[www.flowdesignsaustralia.com](http://www.flowdesignsaustralia.com)