

FITTING DIAGRAM

HYUNDAI PD 1&2: FRONT SPLITTER INSTRUCTIONS

INSTALLATION AND FITTING SERVICES

If you are having any difficulties please seek professional advice from the listed International and Domestic Authorised Dealers on our website.

www.flowdesignsaustralia.com

BUMPER REMOVAL NOT REQUIRED

FITTING KIT

a

**M6 BOLT
50mm LONG
X 4**

PLEASE NOTE:
DRILLING REQUIRED
TO FASTEN TO BUMPER
PLEASE USE 8mm DRILL BIT

b

**M6 BOLT
25mm LONG
X 4**

PLEASE NOTE:
DRILLING REQUIRED
TO FASTEN TO BUMPER
PLEASE USE 8mm DRILL BIT

c

**M6 BOLT
25mm LONG
X 2**

PLEASE NOTE:
DRILLING NOT REQUIRED
TO FASTEN TO BUMPER
PLEASE USE 8mm DRILL BIT

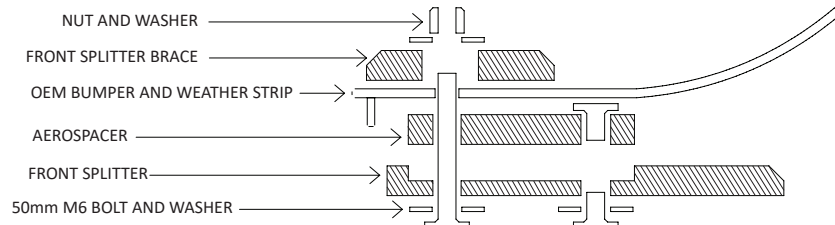
REINFORCEMENT BRACKET

X 1



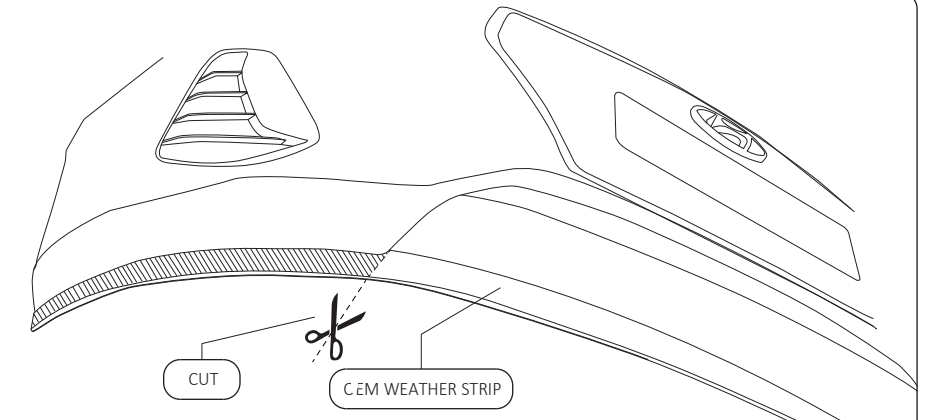
SCAN QR CODE TO ACCESS
FRONT SPLITTER
INSTRUCTIONAL VIDEO

HANDY HINT



- Drill holes for front splitter first, then insert brace above bumper
- Bolt through front splitter, OEM bumper and brace

HANDY HINT



INSTALLATION REQUIRES CUTTING OF THE OEM WEATHER STRIP
Refer to video for reference

- Mark out lines to trim the OEM weather strip
- Unclip the OEM weather strip and pull out to marked line
- Cut OEM weather strip with knife

HANDY HINT

Refer to notch in front splitter for guide to cut the OEM weather strip

HANDY HINT

Refer to notch in front splitter for guide to cut the OEM weather strip

PLEASE NOTE
FOR ADD ON ACCESSORIES

DO NOT
OVERTIGHTEN FASTENERS
INTO BRASS FITTINGS

HAND TIGHTEN ONLY

FLOW DESIGNS

FLOW DESIGNS AUSTRALIA
ABN : 99 605 842 199
FACTORY 11
6-7 NICOLE CLOSE
BAYSWATER NORTH
VIC. 3153

DESIGNED AND MANUFACTURED IN AUSTRALIA

TERMS AND CONDITIONS : MISUSE OF GOODS

By taking possession of this Flow Designs Australia product, you/the buyer agree that you have read, understood and will comply with the following disclaimer:

- This product may not be suitable for road use in your area. We cannot be held liable for any penalties or infringements that may occur after installing any of our products.
- We cannot guarantee that this product will comply with subsequent aftermarket products you have applied to your vehicle.
- It is not legal to fit parts onto a road registered vehicle unless it carries and meets the design rules and public road regulations of your area, region and/or country.
- We do make our best effort to consider safety when designing our products, we want the scene to be a safe place for everyone! This disclaimer absolves us (Flow Designs Australia) of any and all liability or breaches to any requirement as a result of installation of our products.

www.flowdesignsaustralia.com