

FITTING GUIDE

HYUNDAI i30N/PD 1,2,3: FIRE EXTINGUISHER BRACKET

INSTALLATION AND FITTING SERVICES

If you are having any difficulties please seek professional advice from the listed International and Domestic Authorised Dealers on our website.

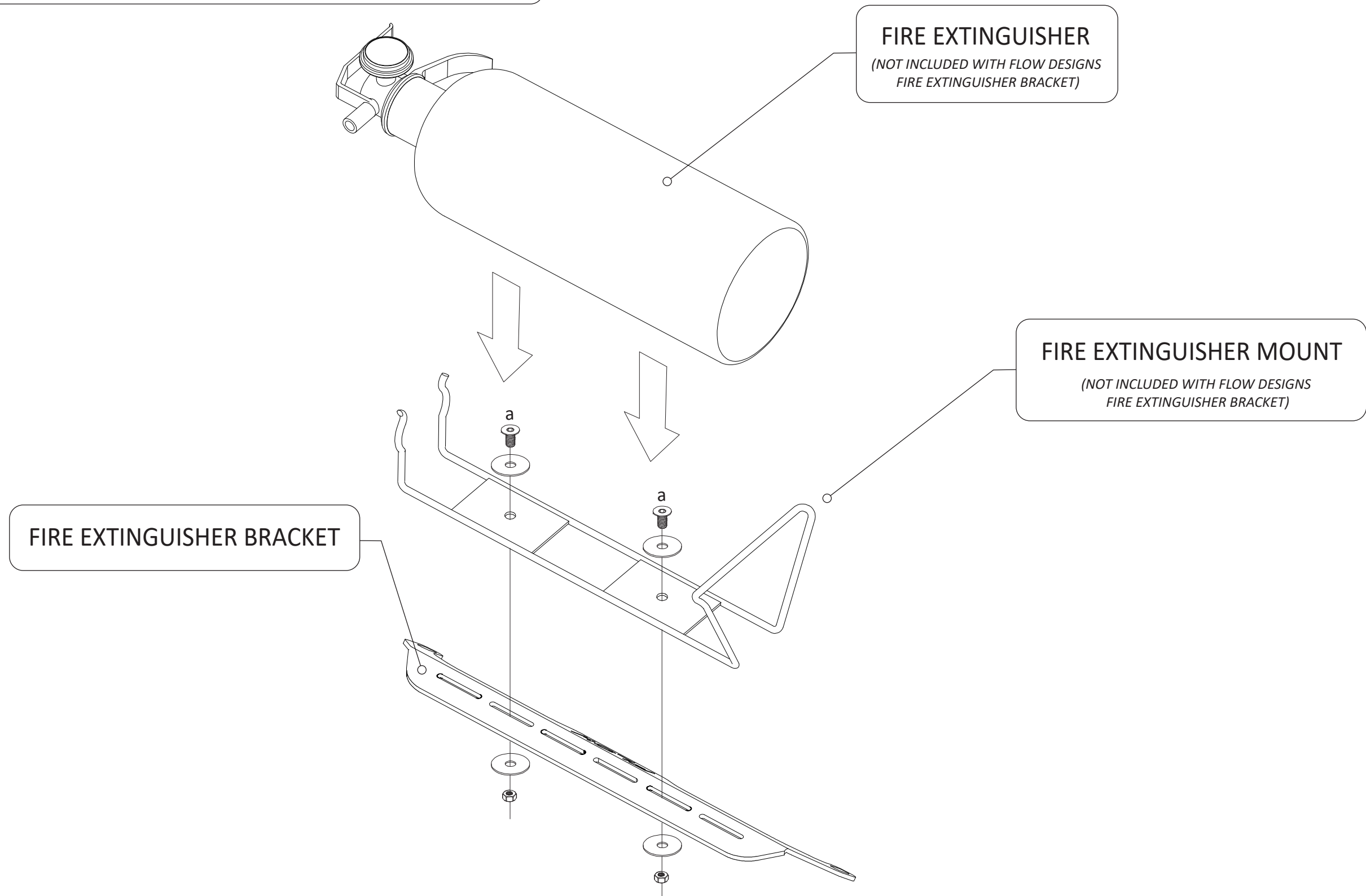
www.flowdesignsaustralia.com

**SEAT REMOVAL
NOT REQUIRED**

STEP 1

- Fasten fire extinguisher mount to Flow Designs Bracket using bolts (a.)
- Attach fire extinguisher to fire extinguisher mount

PLEASE NOTE : FIRE EXTINGUISHER AND FIRE EXTINGUISHER MOUNT NOT INCLUDED WITH PURCHASE OF FLOW DESIGNS FIRE EXTINGUISHER BRACKET



FITTING GUIDE

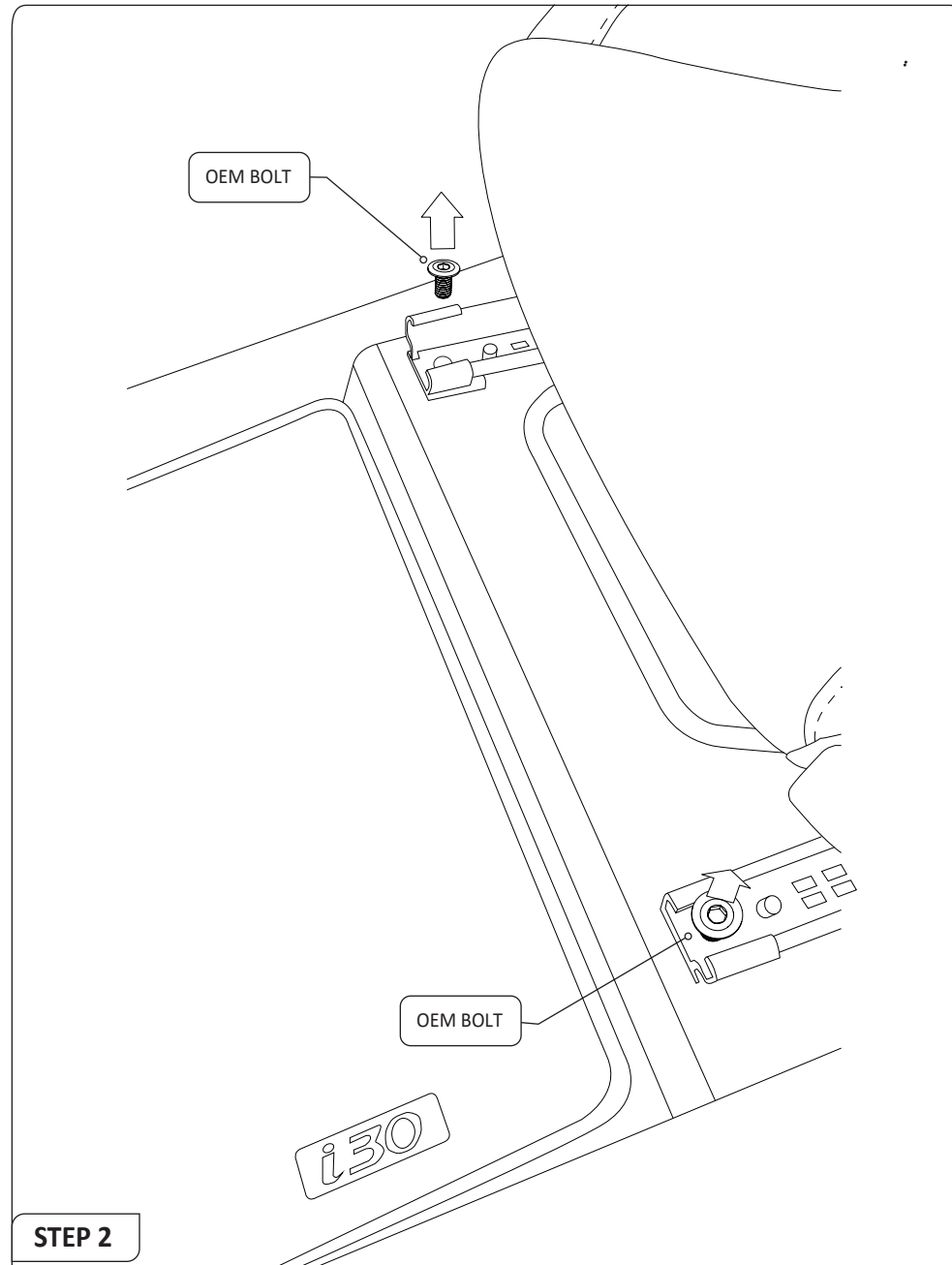
HYUNDAI i30N/PD 1,2,3: FIRE EXTINGUISHER BRACKET

INSTALLATION AND FITTING SERVICES

If you are having any difficulties please seek professional advice from the listed International and Domestic Authorised Dealers on our website.

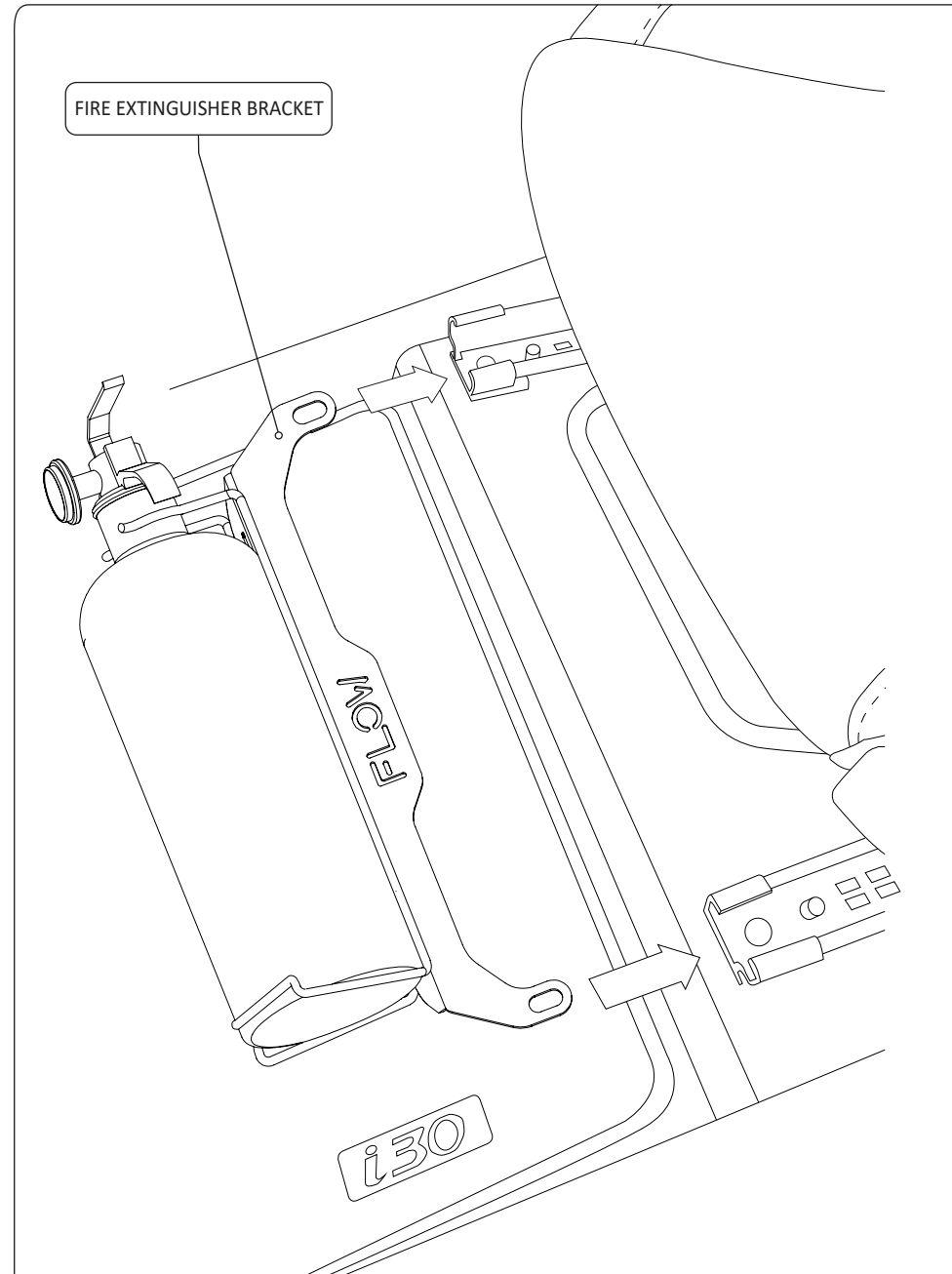
www.flowdesignsaustralia.com

SEAT REMOVAL NOT REQUIRED



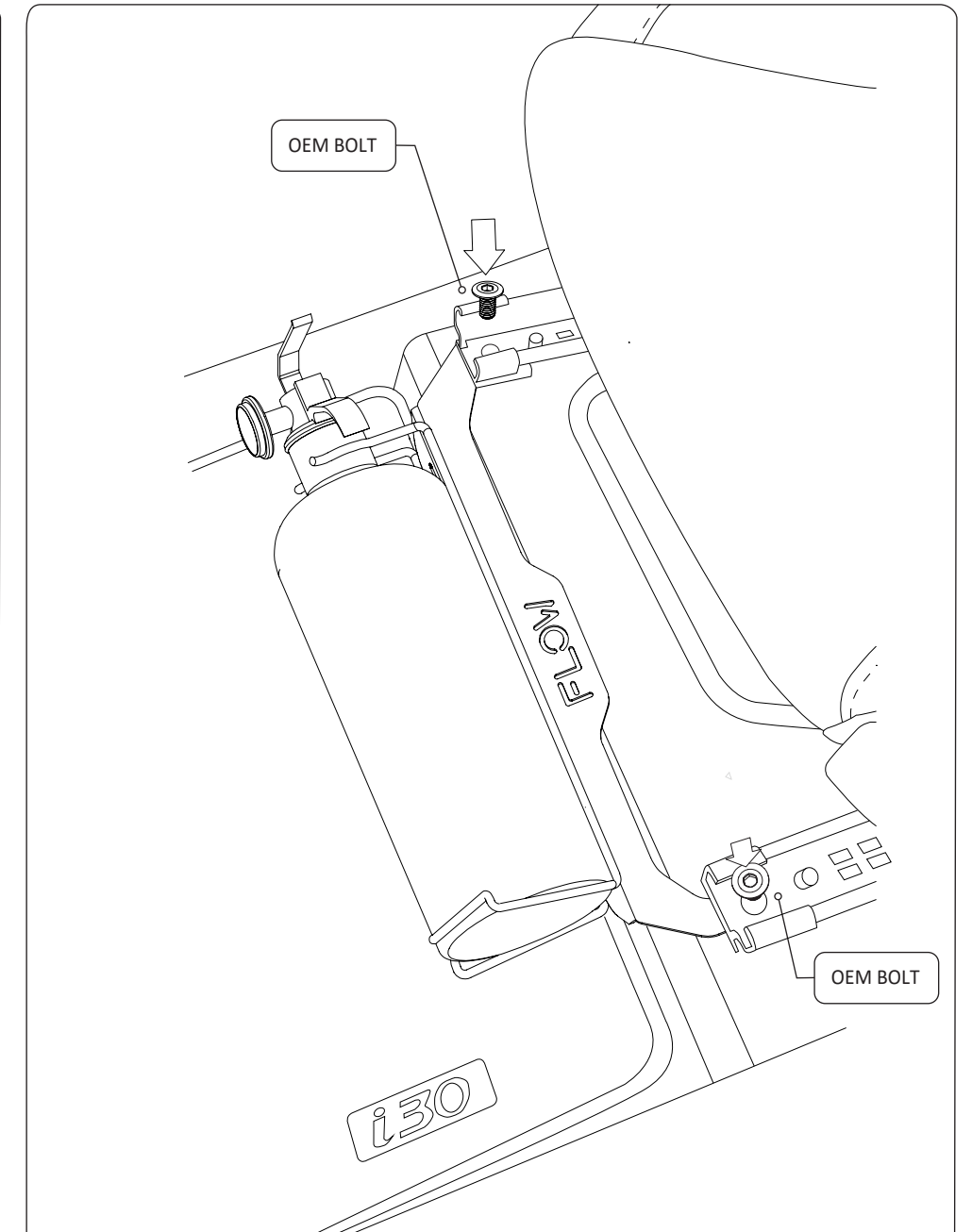
STEP 2

- Choose whether you want to install fire extinguisher in driver seat or passenger seat
- Slide seat to back position
- Remove two OEM bolts attaching seat rail to car



STEP 3

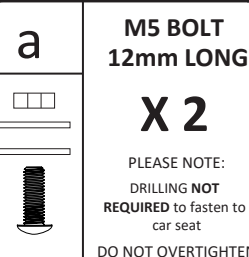
- Slide the Flow Designs Fire Extinguisher Bracket **underneath** the seat rail



STEP 4

- Reinstall the seat rail's OEM bolts, ensuring the Flow Designs Extinguisher bracket is also fastened

FITTING KIT



FLOW DESIGNS
FLOW DESIGNS AUSTRALIA
ABN - 99 605 842 190
FACTORY 11
10 LONGSTAFF RD
BAYSWATER
VIC. 3153
DESIGNED AND MANUFACTURED IN AUSTRALIA

TERMS AND CONDITIONS : MISUSE OF GOODS
By taking possession of this Flow Designs Australia product, you (the buyer) agree that you have read, understood and will comply with the following disclaimer:

- This product may not be suitable for road use in your area. We cannot be held liable for any penalties or infringements that may occur after installing any of our products.
- We cannot guarantee that this product will comply with subsequent aftermarket products you have applied to your vehicle.
- It is not legal to fit parts onto a road registered vehicle unless it carries and meets the design rules and public road regulations of your area, region and/or country.
- We do make our best effort to consider safety when designing our products, we want the scene to be a safe place for everyone!

This disclaimer absolves us (Flow Designs Australia) of any and all liability for breaches to any requirement as a result of installation of our products.

www.flowdesignsaustralia.com