

FITTING DIAGRAM

HYUNDAI PD i30N PERFORMANCE FASTBACK REAR SPATS + ADJUSTABLE REAR WINGLETS

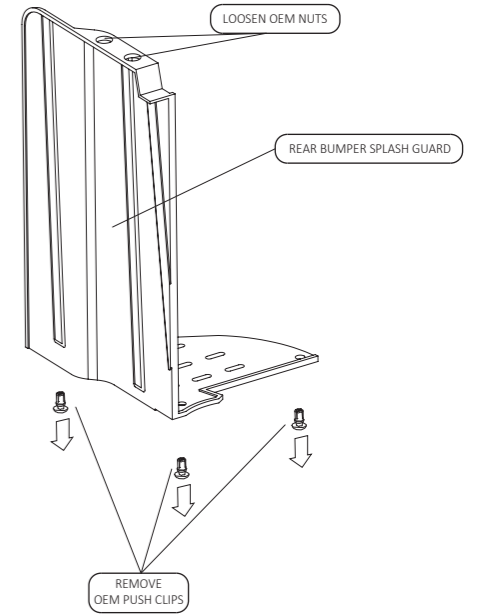
INSTALLATION AND FITTING SERVICES

If you are having any difficulties please seek professional advise from the listed International and Domestic Authorised Dealers on our website.

www.flowdesignsaustralia.com

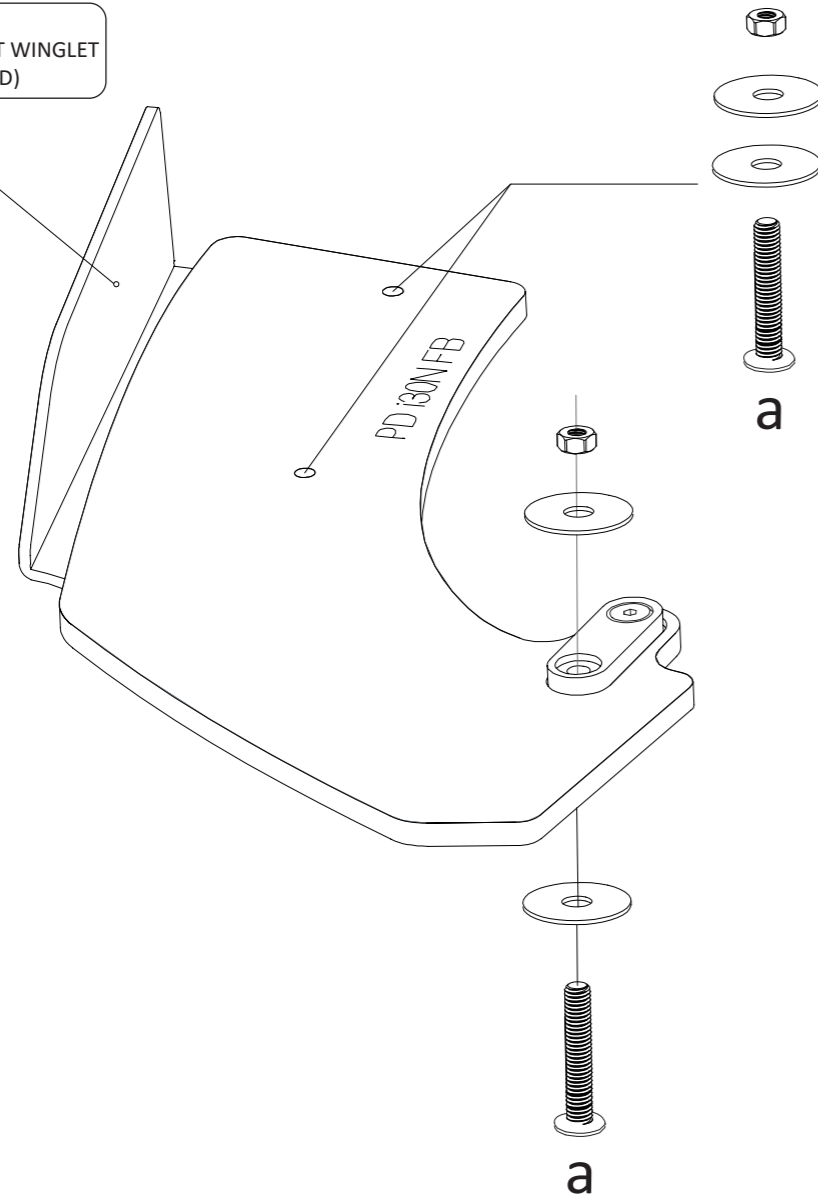
BUMPER REMOVAL NOT REQUIRED

HANDY HINT



- REMOVE REAR BUMPER SPLASH GUARD BEFORE SPAT INSTALLATION
- TO REMOVE, TAKE OUT OEM PUSH CLIPS AND LOOSEN OEM NUTS

OPTIONAL
ADJUSTABLE REAR SPAT WINGLET
(NOT INCLUDED)



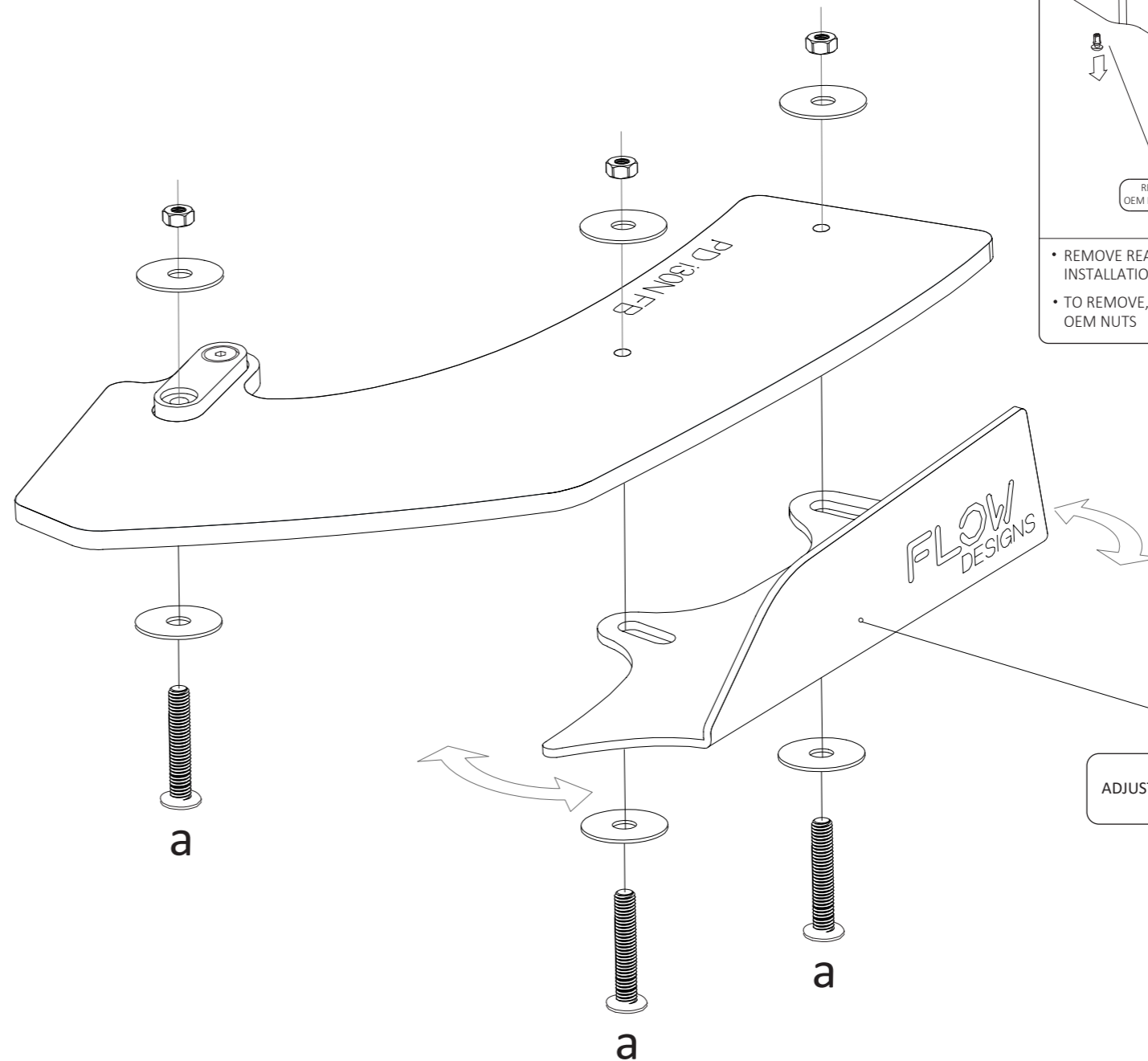
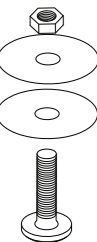
FITTING KIT

a

M6 BOLT
30mm LONG

X 6

PLEASE NOTE:
DRILLING REQUIRED
TO FASTEN TO BUMPER
PLEASE USE 8mm DRILL BIT



OPTIONAL
ADJUSTABLE REAR SPAT WINGLET
(NOT INCLUDED)