

FITTING GUIDE - PAGE 1

HYUNDAI PD i30N PERFORMANCE - SIDE SPLITTER INSTRUCTIONS

INSTALLATION AND FITTING SERVICES

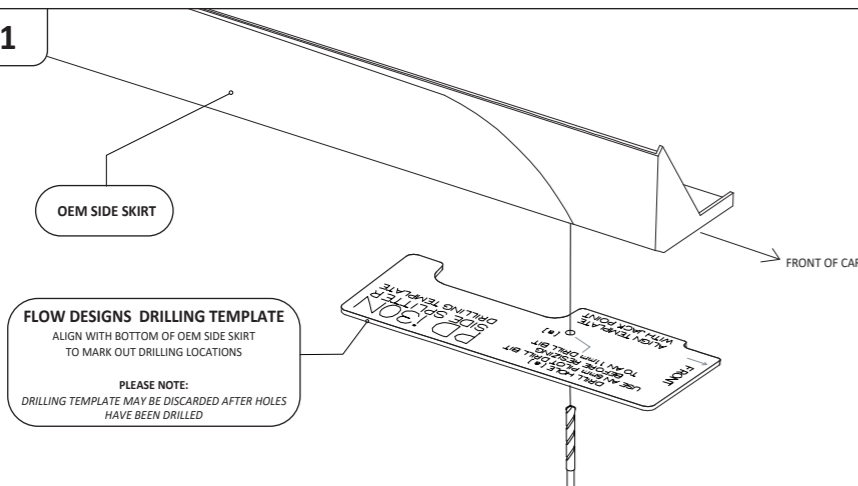
If you are having any difficulties please seek professional advise from the listed International and Domestic Authorised Dealers on our website.

www.flowdesignsaustralia.com

SIDE SKIRT REMOVAL NOT REQUIRED

JACK NUT INSTALLATION

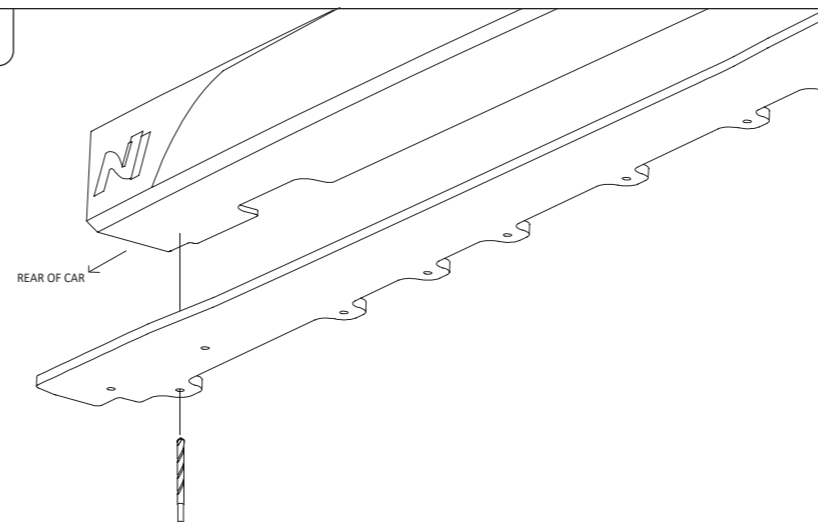
STEP 1



- Align drilling template with the bottom of the OEM side skirt
- Use a 8mm pilot drill bit before resizing to an 11mm drill bit to drill holes marked [a].

PLEASE NOTE : Drill bottom side of the template and through the OEM side skirt

STEP 2

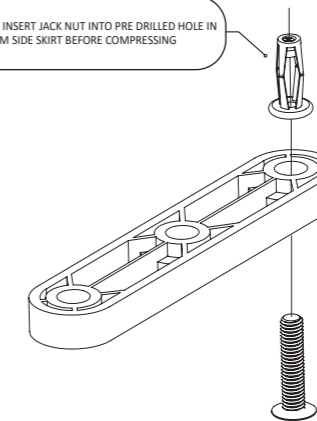


- Align Flow Deisgns i30N side splitter with OEM side skirt
- Using the the Flow Designs i30N side splitter as a guide, use a 8mm pilot drill bit to mark out hole towards the rear of the car
- Remove Flow Designs i30N side splitter and use 11mm drill bit to resize the marked out hole

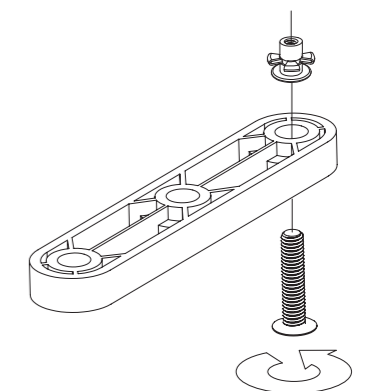
PLEASE NOTE : Drill bottom side of the template and through the OEM side skirt

STEP 3a

ENSURE TO INSERT JACK NUT INTO PRE DRILLED HOLE IN OEM SIDE SKIRT BEFORE COMPRESSION

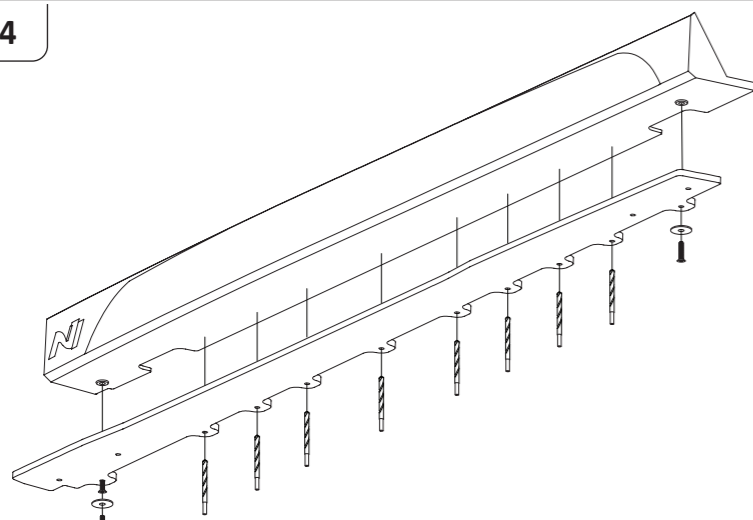


STEP 3b



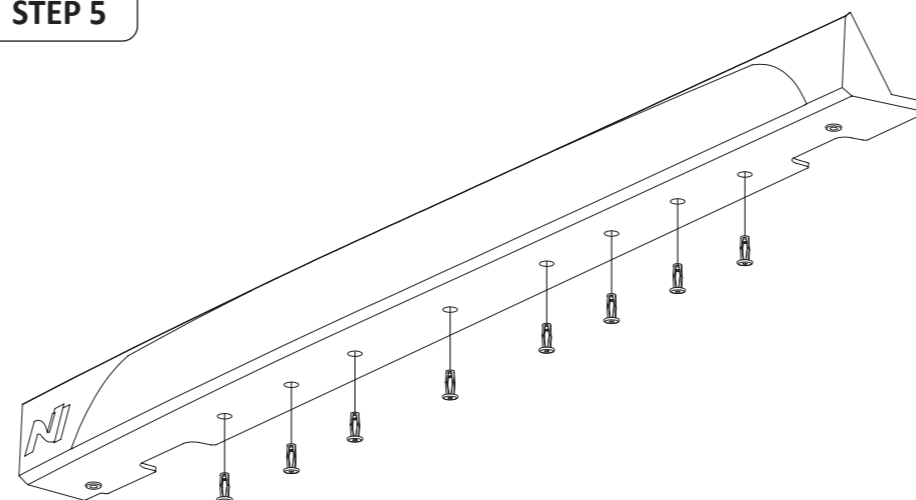
- Using provided Flow Designs Jack Nut Compression Tool, install provided jack nuts into the two drilled out holes in the OEM side skirt
- Please ensure that the jack nut is firmly inserted into pre-drilled holes in OEM side skirt

STEP 4



- Using provided 30mm bolts and the two installed jack nuts, install the Flow Deisgns i30N side splitter to the OEM side skirt
- Using the side splitter as a guide, use an 8mm pilot drill to mark out remaining holes
- Remove Flow Designs i30N side splitter and use an 11mm drill bit to resize the marked out holes.

STEP 5



- Using provided compression tool, install the remaining jack nuts into the OEM side skirt using the pre drilled holes

CONTINUE TO PAGE 2 TO FINISH INSTALLATION



SCAN QR CODE TO ACCESS AN INSTRUCTIONAL VIDEO ON HOW TO INSTALL JACK NUTS

FLOW
DESIGNS

FLOW DESIGNS AUSTRALIA
ABN: 99 809 842 199
FACTORY 11
6-7 NICOLE CLOSE
BAYSWATER NORTH
VIC. 3153



TERMS AND CONDITIONS : MISUSE OF GOODS

This Product application is not intended for public road registered vehicles within Australia. Regulations may vary from Countries outside of Australia. Please check your Country's and State's road regulations before installing on a vehicle intended for public road use.

Flow Designs Australia PTY LTD will not be liable for any liabilities in relation to any use of the goods other than in strict accordance with the Company's instructions and for the purpose and application for which the goods were supplied by the Company. The Client undertakes with the Company:

- That it will acquaint itself with the requirements of all relevant government or statutory and other authorities, bodies or corporations relating to the goods and/or services and to the applications to which the goods and/or services are to be put;
- That at all times while the goods are in its possession or under its control it will comply with such requirements;
- That it will procure that any purchaser of goods from it will also acquaint itself with, and will comply with, such requirements;
- That it will indemnify the Company against any liability resulting from a breach of any such requirements.

www.flowdesignsaustralia.com

FITTING DIAGRAM - PAGE 2

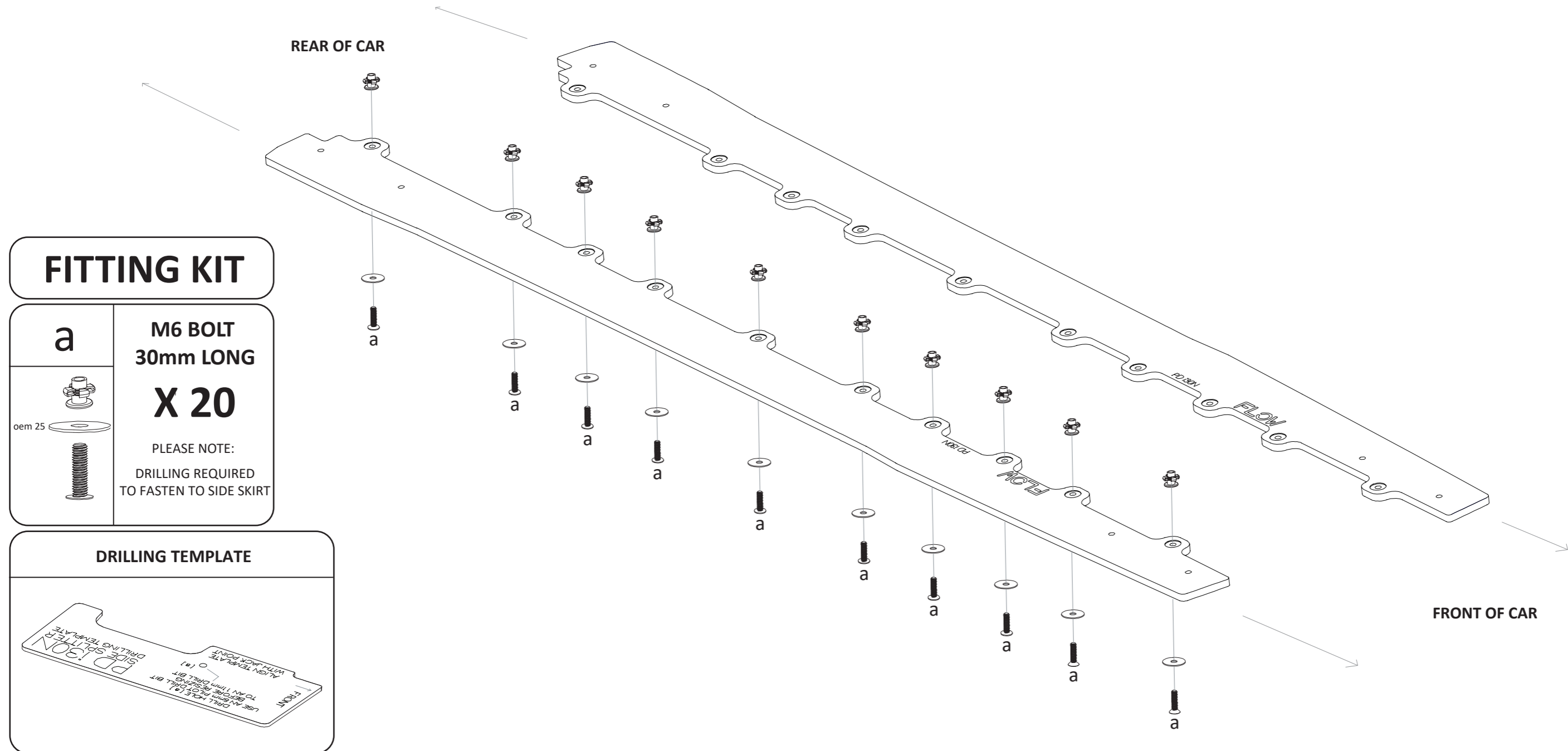
HYUNDAI PD i30N PERFORMANCE - SIDE SPLITTER INSTRUCTIONS

INSTALLATION AND FITTING SERVICES

If you are having any difficulties please seek professional advise from the listed International and Domestic Authorised Dealers on our website.

www.flowdesignsaustralia.com

BUMPER REMOVAL NOT REQUIRED



FITTING KIT

a

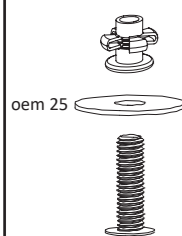
M6 BOLT
30mm LONG

X 20

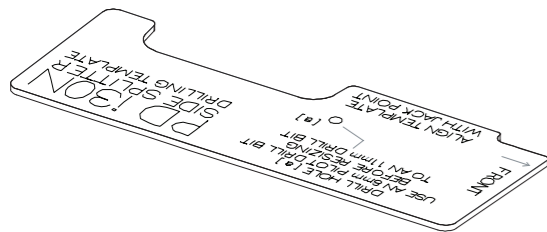
PLEASE NOTE:

DRILLING REQUIRED
TO FASTEN TO SIDE SKIRT

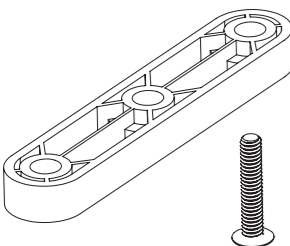
oem 25



DRILLING TEMPLATE



COMPRESSION TOOL



3 HOLE AEROSPACER x 1

30mm BOLT x 1

PLEASE NOTE
FOR ADD ON ACCESSORIES

DO NOT
OVERTIGHTEN FASTENERS
INTO BRASS FITTINGS

HAND TIGHTEN ONLY

FLOW
DESIGNS

FLOW
DESIGNS

FLOW DESIGNS AUSTRALIA
ABN : 99 605 842 199
FACTORY 11
6-7 NICOLE CLOSE
BAYSWATER NORTH
VIC, 3153

DESIGNED AND MANUFACTURED IN AUSTRALIA

TERMS AND CONDITIONS : MISUSE OF GOODS

By taking possession of this Flow Designs Australia product, you (the buyer) agree that you have read, understood and will comply with the following disclaimer;

- This product may not be suitable for road use in your area. We cannot be held liable for any penalties or infringements that may occur after installing any of our products.
- We cannot guarantee that this product will comply with subsequent aftermarket products you have applied to your vehicle.
- It is not legal to fit parts onto a road registered vehicle unless it carries and meets the design rules and public road regulations of your area, region and/or country.
- We do make our best effort to consider safety when designing our products, we want the scene to be a safe place for everyone!

This disclaimer absolves us (Flow Designs Australia) of any and all liability for breaches to any requirement as a result of installation of our products.

www.flowdesignsaustralia.com