

FITTING DIAGRAM

HONDA FK8 CIVIC TYPE R - SIDE SKIRT EXTENSION SPLITTER INSTRUCTIONS

INSTALLATION AND FITTING SERVICES

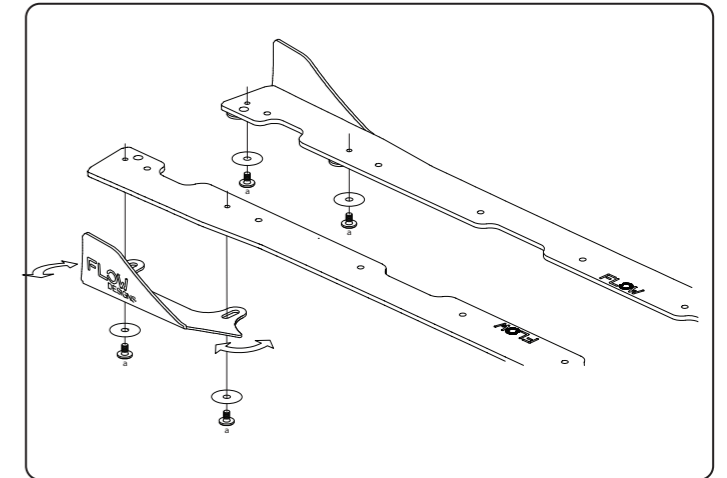
If you are having any difficulties please seek professional advice from the listed International and Domestic Authorised Dealers on our website.

www.flowdesignsaustralia.com

BUMPER REMOVAL NOT REQUIRED

HANDY HINTS

- Align hole with OEM side skirt rivet for proper alignment



OPTIONAL ACCESSORIES AVAILABLE SEPARATELY. SEE WWW.FLOWDESIGNSAUSTRALIA.COM

HANDY HINTS

- Align OEM side skirt mud flap within this pocket

REAR OF CAR

FRONT OF CAR

FITTING KIT

a

M6 BOLT
25mm LONG

X 18

PLEASE NOTE:

DRILLING REQUIRED TO FASTEN TO SIDE SKIRT
PLEASE USE 8mm DRILL BIT

oem 25

oem 25

PLEASE NOTE
FOR ADD ON ACCESSORIES

DO NOT
OVERTIGHTEN FASTENERS
INTO BRASS FITTINGS

HAND TIGHTEN ONLY

FLOW
DESIGNS

FLOW
DESIGNS

FLOW DESIGNS AUSTRALIA
ABN : 99 605 842 199
FACTORY 11
6-7 NICKLE CLOSE
BAYSWATER NORTH
VIC, 3153

DESIGNED AND MANUFACTURED IN AUSTRALIA

TERMS AND CONDITIONS : MISUSE OF GOODS

By taking possession of this Flow Designs Australia product, you (the buyer) agree that you have read, understood and will comply with the following disclaimer;

- This product may not be suitable for road use in your area. We cannot be held liable for any penalties or infringements that may occur after installing any of our products.
- We cannot guarantee that this product will comply with subsequent aftermarket products you have applied to your vehicle.
- It is not legal to fit parts onto a road registered vehicle unless it carries and meets the design rules and public road regulations of your area, region and/or country.
- We do make our best effort to consider safety when designing our products, we want the scene to be a safe place for everyone!

This disclaimer absolves us (Flow Designs Australia) of any and all liability for breaches to any requirement as a result of installation of our products.

www.flowdesignsaustralia.com