

FITTING DIAGRAM

HONDA CIVIC RS HATCH FK4/7: SPATS + ADJUSTABLE REAR WINGLETS

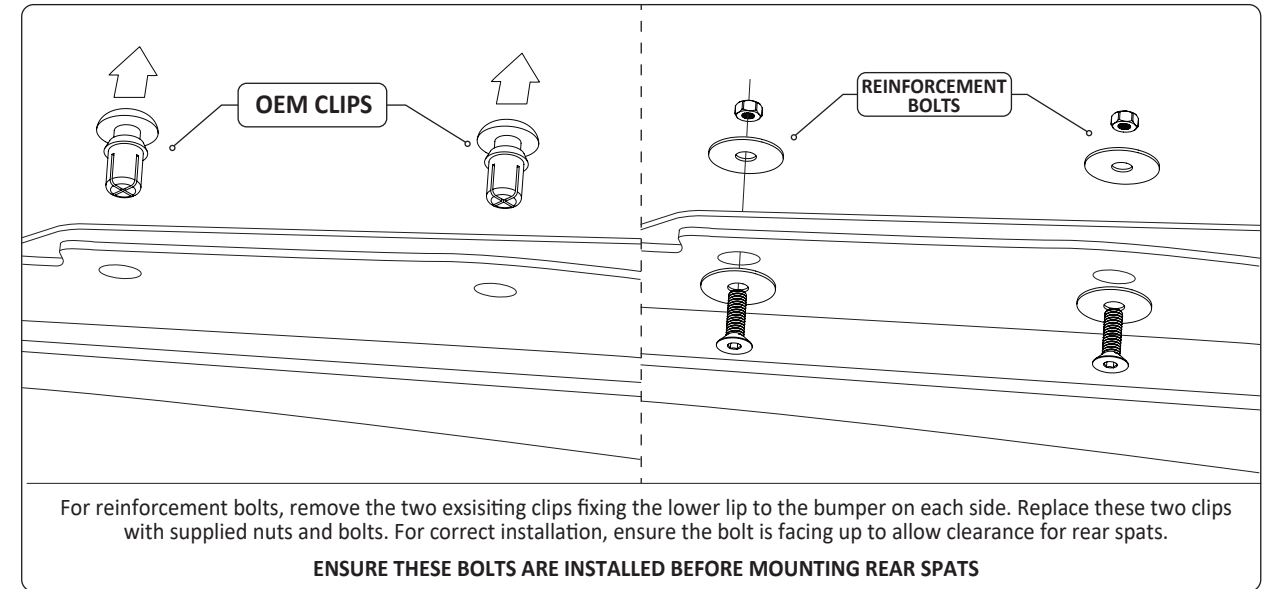
INSTALLATION AND FITTING SERVICES

If you are having any difficulties please seek professional advice from the listed International and Domestic Authorised Dealers on our website.

www.flowdesignsaustralia.com

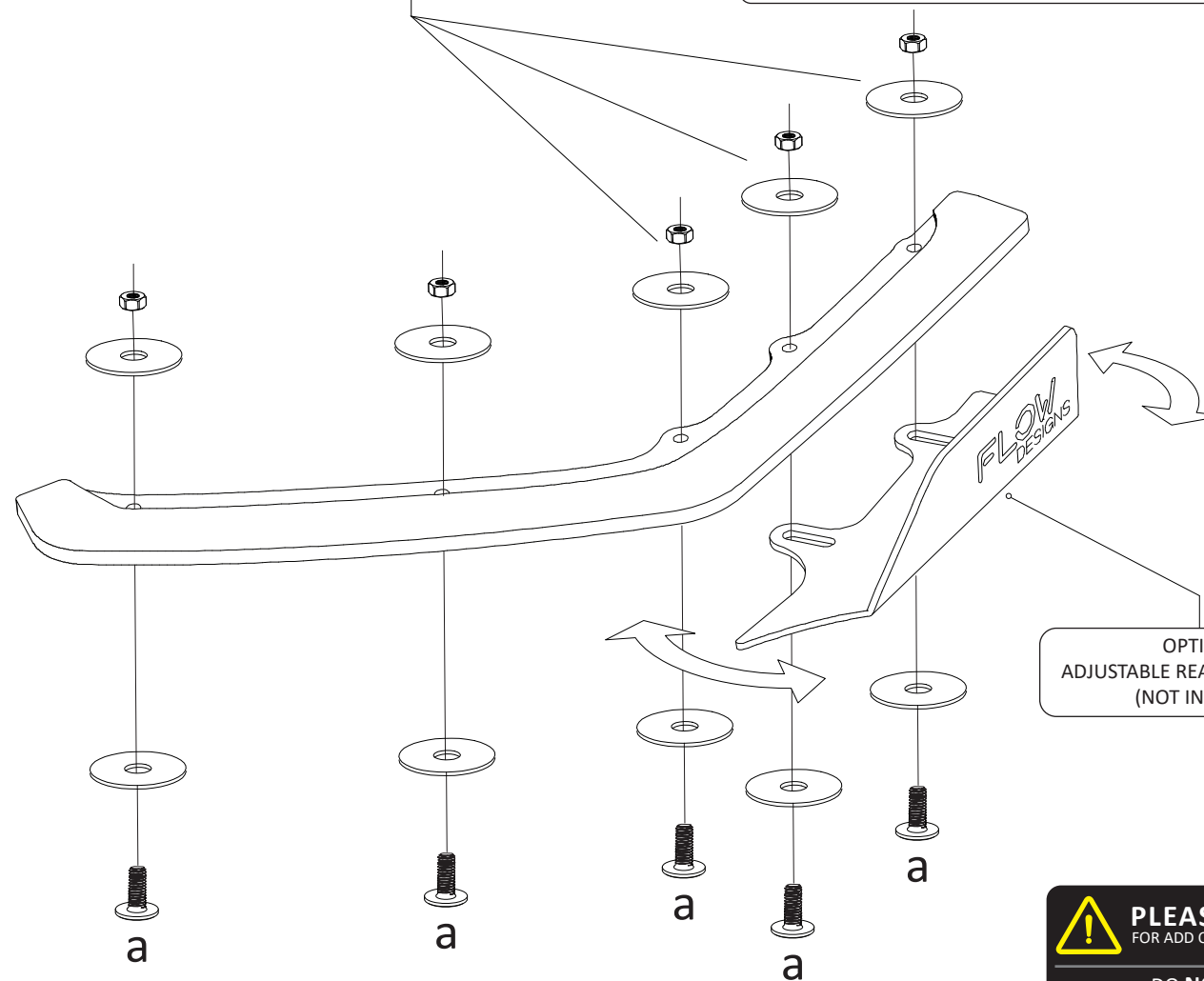
BUMPER REMOVAL NOT REQUIRED

HANDY HINT

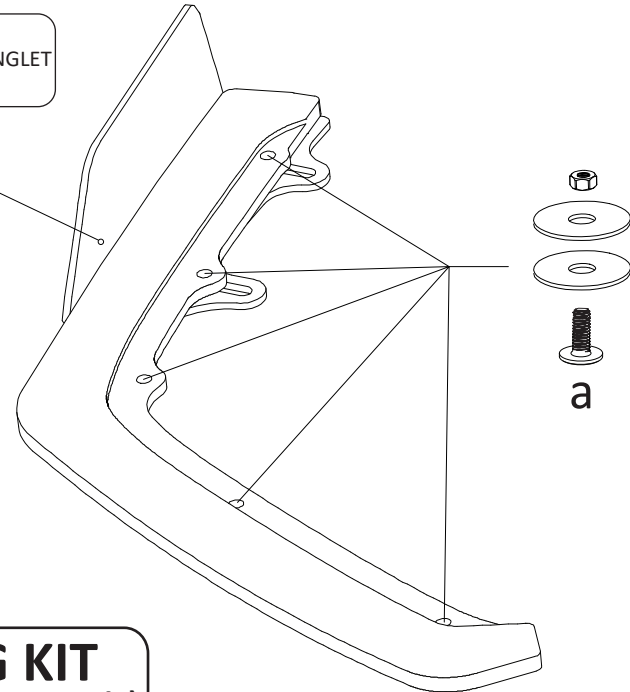


HANDY HINT

Align these three mounting holes with ridge on rear bumper



OPTIONAL ADJUSTABLE REAR SPAT WINGLET (NOT INCLUDED)



FITTING KIT (included with spats only)

a	M6 BOLT 25mm LONG X 10
 	<p>PLEASE NOTE: DRILLING REQUIRED TO FASTEN TO REAR LIP PLEASE USE 8mm DRILL BIT</p>

REINFORCEMENT BOLTS	M6 BOLT 20mm LONG X 4
 	<p>PLEASE NOTE: DRILLING NOT REQUIRED TO FASTEN TO BUMPER</p>

PLEASE NOTE FOR ADD ON ACCESSORIES

DO NOT OVERTIGHTEN FASTENERS INTO BRASS FITTINGS

HAND TIGHTEN ONLY

FLOW DESIGNS

FLOW DESIGNS AUSTRALIA
ABN: 99 605 842 199
10 LONGSTAFF RD
BAYSWATER VIC, 3153

TERMS AND CONDITIONS : MISUSE OF GOODS

This Product application is not intended for public road registered vehicles within Australia. Regulations may vary from Countries outside of Australia. Please check your Country's and State's road regulations before installing on a vehicle intended for public road use.

Flow Designs Australia PTY LTD will not be liable for any liabilities in relation to any use of the goods other than in strict accordance with the Company's instructions and for the purpose and application for which the goods were supplied by the Company.

The Client undertakes with the Company:

- That it will acquaint itself with the requirements of all relevant government or statutory and other authorities, bodies or corporations relating to the goods and/or services and to the applications to which the goods and/or services are to be put;
- That at all times while the goods are in its possession or under its control it will comply with such requirements;
- That it will procure that any purchaser of goods from it will also acquaint itself with, and will comply with, such requirements;
- That it will indemnify the Company against any liability resulting from a breach of any such requirements.

www.flowdesignsaustralia.com