

# FITTING DIAGRAM

## HONDA ACCORD EURO V3 - SIDE SPLITTER INSTRUCTIONS

### INSTALLATION AND FITTING SERVICES

If you are having any difficulties please seek professional advice from the listed International and Domestic Authorised Dealers on our website.

[www.flowdesignsaustralia.com](http://www.flowdesignsaustralia.com)

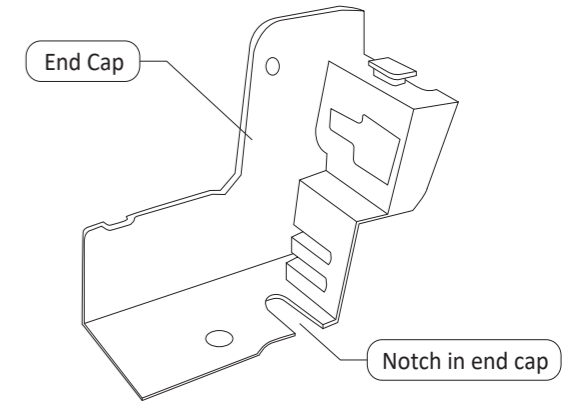
**SIDE SKIRT REMOVAL NOT REQUIRED**

### HANDY HINT

HONDA ACCORD EURO V3 SIDE SPLITTER FITS FOLLOWING BUMPERS

- PFL MODULO SIDE
- PFL EURO R SIDE
- PFL STOCK SIDE
- FL EURO R / SPORTS SIDE
- FL MODULO SIDE
- FL STOCK SIDE

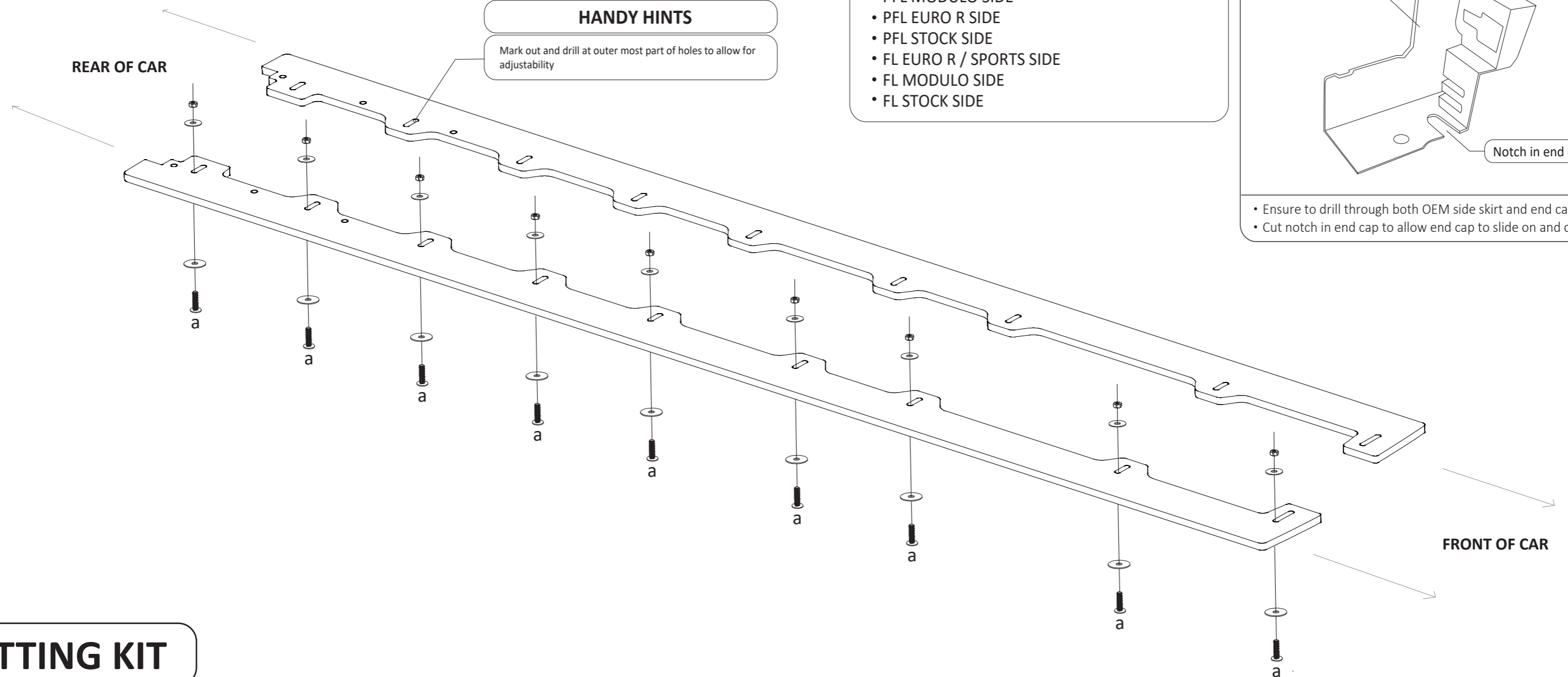
### HANDY HINTS



- Ensure to drill through both OEM side skirt and end cap
- Cut notch in end cap to allow end cap to slide on and off

### HANDY HINTS

Mark out and drill at outer most part of holes to allow for adjustability



## FITTING KIT

a

**M6 BOLT  
25mm LONG**

**X 18**

PLEASE NOTE:

DRILLING REQUIRED  
TO FASTEN TO SIDE SKIRT  
PLEASE USE 8mm DRILL BIT

oem 18

oem 25

**PLEASE NOTE**  
FOR ADD ON ACCESSORIES

**DO NOT**  
OVERTIGHTEN FASTENERS  
INTO BRASS FITTINGS

HAND TIGHTEN ONLY

**FLOW**  
DESIGNS

**FLOW**  
DESIGNS

FLOW DESIGNS AUSTRALIA  
ABN : 99 605 842 199  
FACTORY 11  
6-7 NICOLE CLOSE  
BAYSWATER NORTH  
VIC, 3153

DESIGNED AND MANUFACTURED IN AUSTRALIA

**TERMS AND CONDITIONS : MISUSE OF GOODS**

By taking possession of this Flow Designs Australia product, you (the buyer) agree that you have read, understood and will comply with the following disclaimer;

- This product may not be suitable for road use in your area. We cannot be held liable for any penalties or infringements that may occur after installing any of our products.
- We cannot guarantee that this product will comply with subsequent aftermarket products you have applied to your vehicle.
- It is not legal to fit parts onto a road registered vehicle unless it carries and meets the design rules and public road regulations of your area, region and/or country.
- We do make our best effort to consider safety when designing our products, we want the scene to be a safe place for everyone!

This disclaimer absolves us (Flow Designs Australia) of any and all liability for breaches to any requirement as a result of installation of our products.

[www.flowdesignsaustralia.com](http://www.flowdesignsaustralia.com)