

# FITTING DIAGRAM

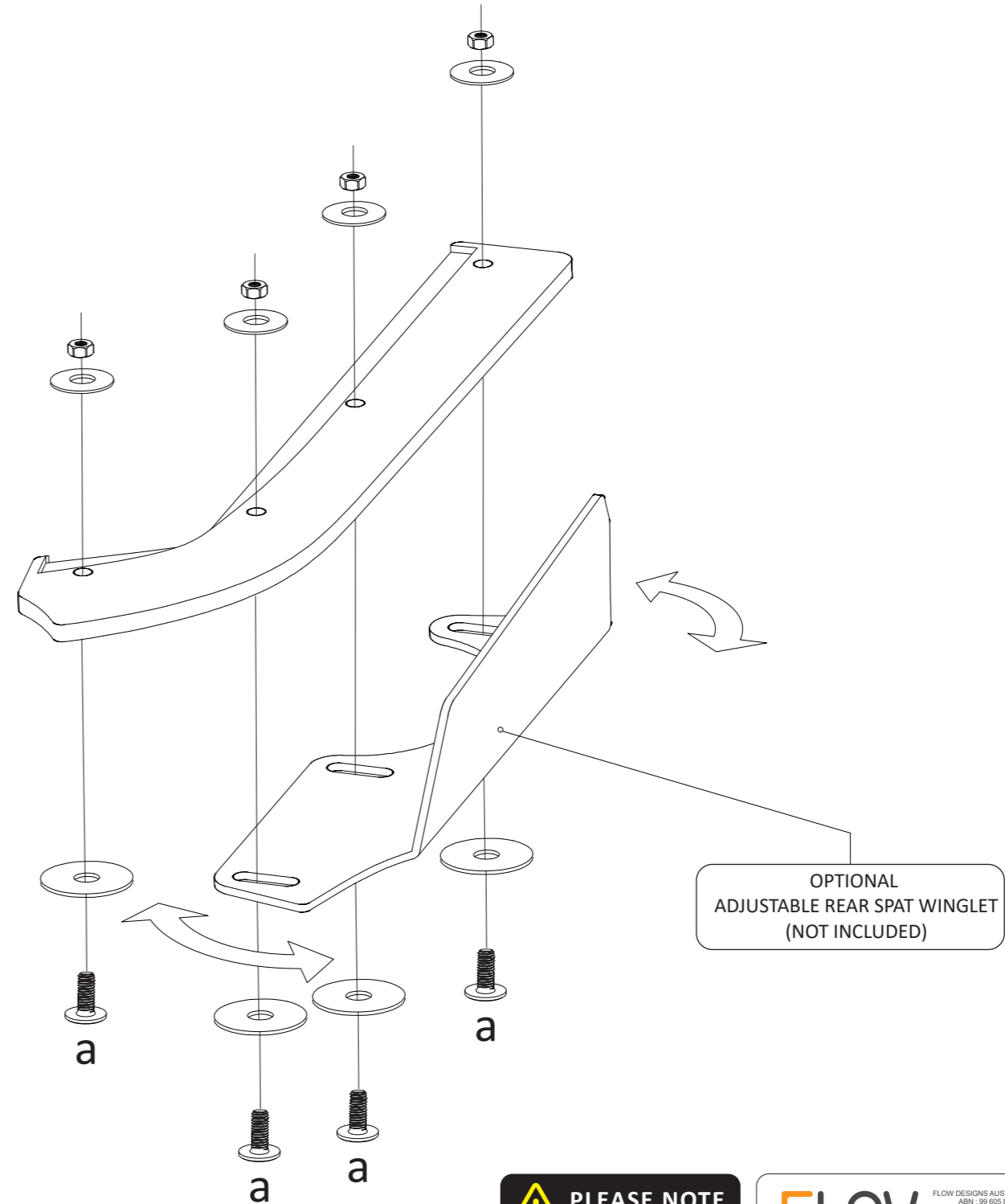
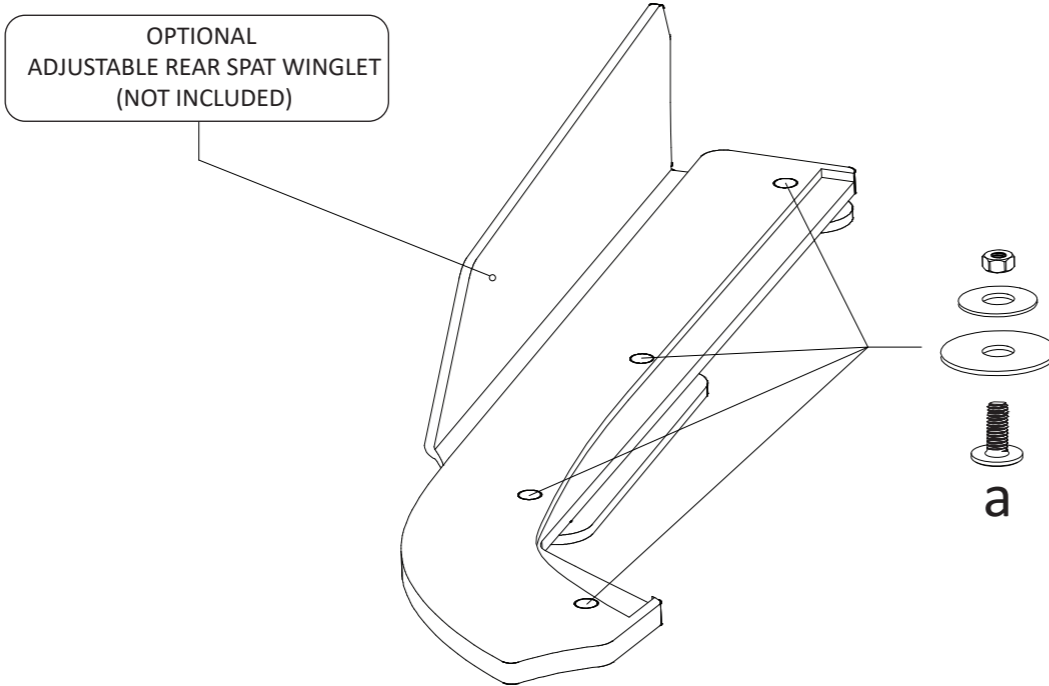
HONDA ACCORD EURO SPATS + ADJUSTABLE REAR WINGLETS

## INSTALLATION AND FITTING SERVICES

If you are having any difficulties please seek professional advice from the listed International and Domestic Authorised Dealers on our website.

[www.flowdesignsaustralia.com](http://www.flowdesignsaustralia.com)

# BUMPER REMOVAL NOT REQUIRED



## FITTING KIT (included with spats only)

<b>a</b>	<b>M6 BOLT</b> <b>25mm LONG</b> <b>X 8</b>
<small>NYLOC NUT</small>  <small>OD 18</small>  <small>OD 25</small>  	<p>PLEASE NOTE:  <b>DRILLING REQUIRED</b>  <b>TO FASTEN TO REAR LIP</b>  <b>DO NOT OVERTIGHTEN</b>  <b>PLEASE USE 8.5mm DRILL BIT</b></p>

**PLEASE NOTE**  
FOR ADD ON ACCESSORIES

**DO NOT**  
OVERTIGHTEN FASTENERS  
INTO BRASS FITTINGS

HAND TIGHTEN ONLY

**FLOW**  
DESIGNS

**FLOW** DESIGNS

FLOW DESIGNS AUSTRALIA  
 ABN : 99 055 842 199  
 FACTORY 11  
 6-7 NICOLE CLOSE  
 BAYSWATER NORTH  
 VIC. 3153

DESIGNED AND MANUFACTURED IN AUSTRALIA

**TERMS AND CONDITIONS : MISUSE OF GOODS**

By taking possession of this Flow Designs Australia product, you (the buyer) agree that you have read, understood and will comply with the following disclaimer:

- This product may not be suitable for road use in your area. We cannot be held liable for any penalties or infringements that may occur after installing any of our products.
- We cannot guarantee that this product will comply with subsequent aftermarket products you have applied to your vehicle.
- It is not legal to fit parts onto a road registered vehicle unless it carries and meets the design rules and public road regulations of your area, region and/or country.
- We do make our best effort to consider safety when designing our products, we want the scene to be a safe place for everyone!

This disclaimer absolves us (Flow Designs Australia) of any and all liability for breaches to any requirement as a result of installation of our products.

[www.flowdesignsaustralia.com](http://www.flowdesignsaustralia.com)