

# FITTING GUIDE - PAGE 1

HOLDEN VE / VF COMMODORE SERIES 1 & 2 WAGON:  
SPOILER EXTENSION INSTRUCTIONS

## INSTALLATION AND FITTING SERVICES

If you are having any difficulties please seek professional advice from the listed International and Domestic Authorised Dealers on our website.

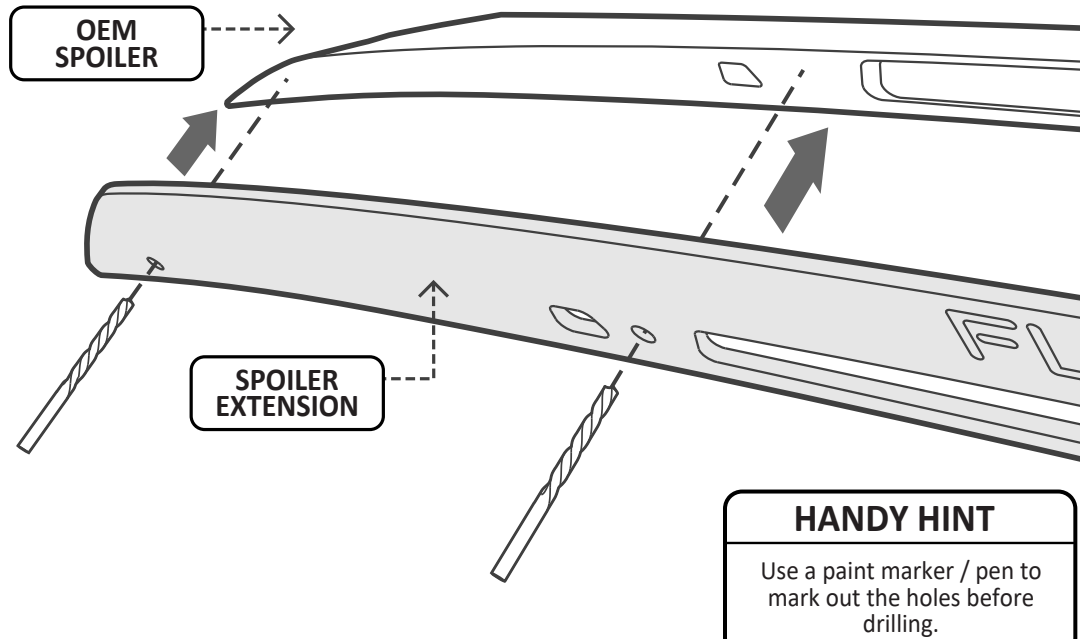
www.flowdesignsaustralia.com

# OEM REAR SPOILER REMOVAL NOT REQUIRED

## STEP 1

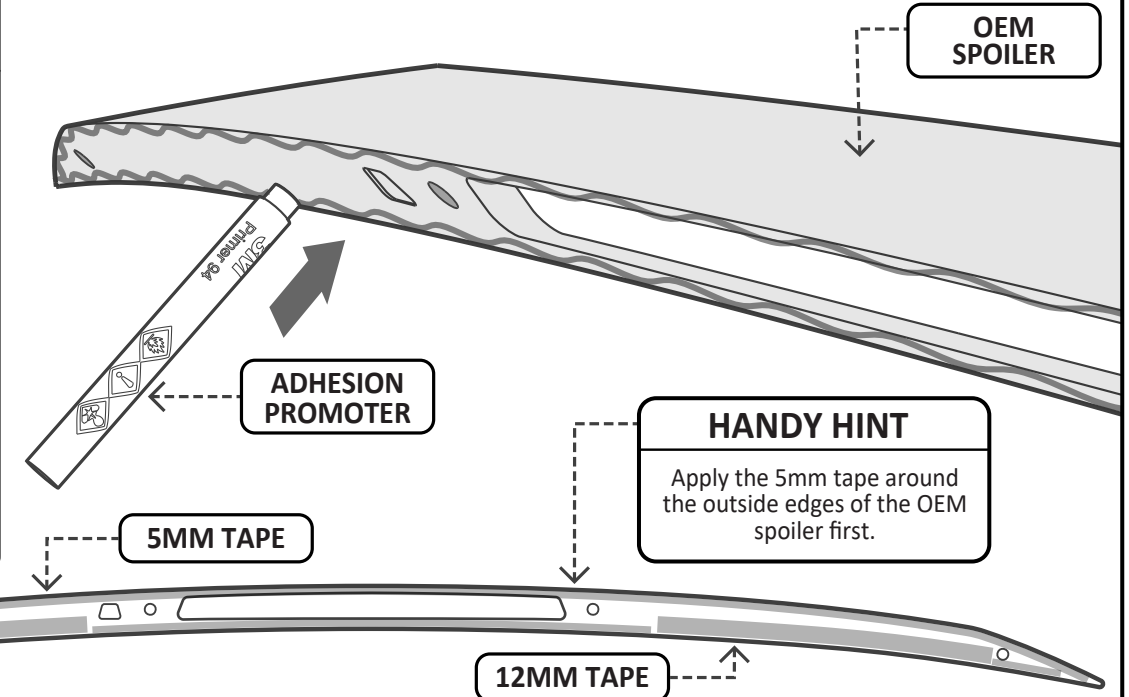
- Align the **Spoiler Extension** to the corners of the OEM spoiler on the car and **mark out holes for drilling**.
- Pre-drill the mounting holes in the OEM spoiler using a **6mm** drill bit, then enlarge to **10mm** using a step drill bit.

**NOTE: DO NOT USE DRILL BIT LARGER THAN 10MM**



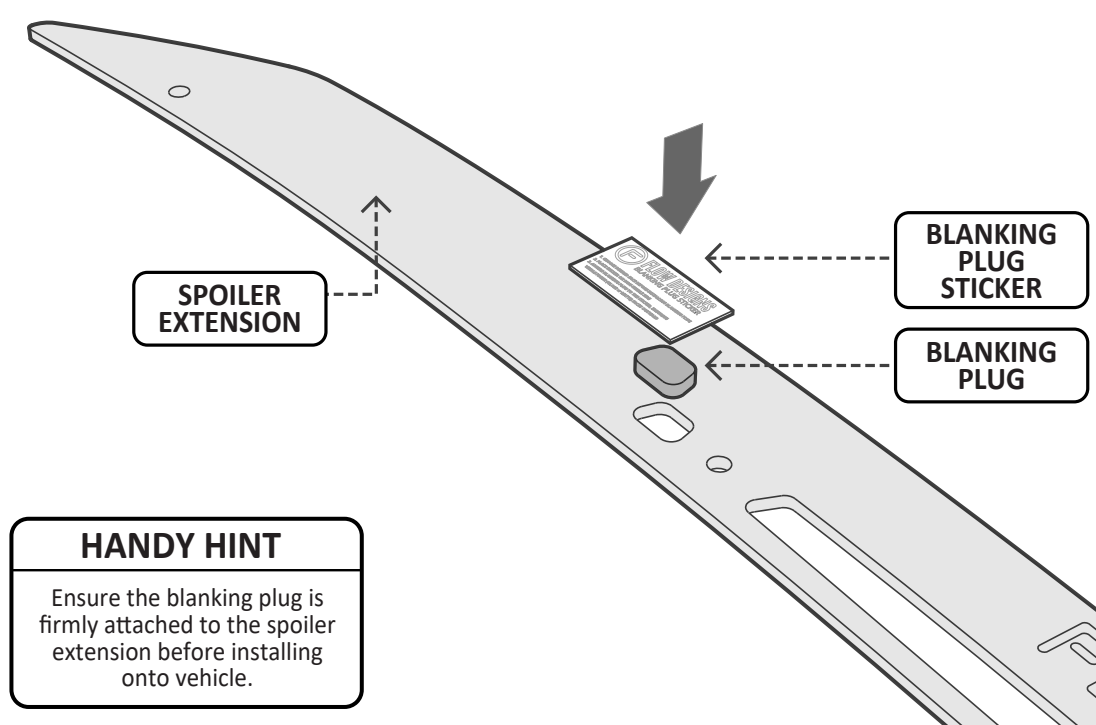
## STEP 2

- Clean surface of OEM rear spoiler with **alcohol swab**.
- Apply **3M** **adhesion promoter** to OEM spoiler where double side tape will be applied.
- Apply **double side tape** to OEM spoiler as shown in the diagram.



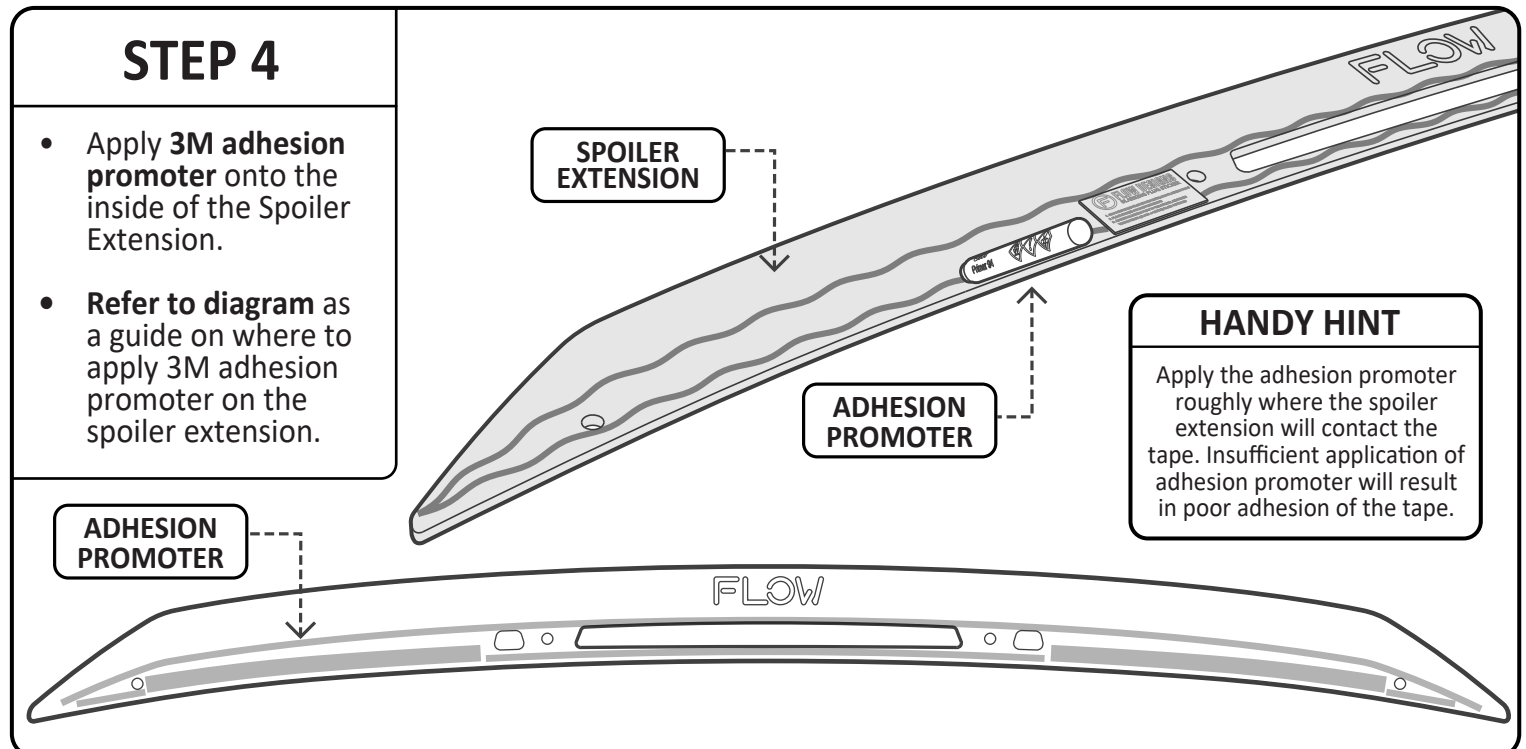
## STEP 3

- Spoiler extension is reversible. Choose between **texture** or **gloss** side face up.
- Insert **blanking plug** into the spoiler extension on the **side without the washer jet**.
- Fasten with **sticker** on **inside** face of spoiler extension.



## STEP 4

- Apply **3M** **adhesion promoter** onto the inside of the Spoiler Extension.
- Refer to diagram as a guide on where to apply 3M adhesion promoter on the spoiler extension.



## FITTING KIT

a

**M5 BOLTS  
20MM LONG**

**X 4**

PLEASE NOTE:  
DRILLING REQUIRED  
TO FASTEN TO OEM SPOILER  
DO NOT OVERTIGHTEN

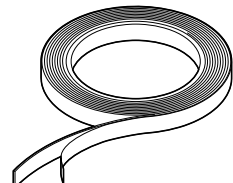
b

**M5  
RUBBER NUTS**

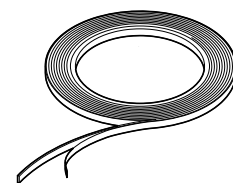
**X 4**

PLEASE NOTE:  
DRILLING REQUIRED  
TO FASTEN TO OEM SPOILER  
DO NOT OVERTIGHTEN

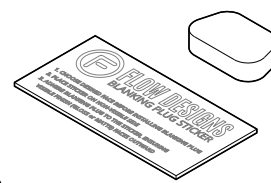
**3M OF 12mm  
DOUBLE SIDED TAPE**



**3M OF 5mm  
DOUBLE SIDED TAPE**



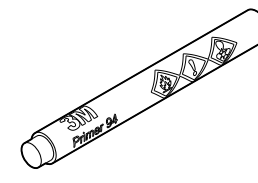
**BLANKING PLUG &  
STICKER**



**ALCOHOL SWAB**



**3M ADHESION PROMOTER**



**TERMS AND CONDITIONS: MISUSE OF GOODS**  
By taking possession of the Flow Designs Australia product, you (the buyer) agree that you have read, understood and will comply with the following disclaimer:  
• This product may not be suitable for road use in your area. We cannot be held liable for any penalties or infringements that may occur after installing any of our products.  
• We cannot guarantee that this product will comply with all subsequent aftermarket products you have applied to your vehicle.  
• It is not legal to fit parts onto a road registered vehicle unless it carries and meets the designs rules and public road regulations of your area, region and/or country.  
• We do our best effort to consider safety when designing our products. We want the scene to be a safe place for everyone!  
This disclaimer absolves us (Flow Designs Australia) of any and all liability or breaches to any requirement as a result of installation of our products.

www.flowdesignsaustralia.com

# FITTING GUIDE - PAGE 2

HOLDEN VE / VF COMMODORE SERIES 1 & 2 WAGON:  
SPOILER EXTENSION INSTRUCTIONS

## INSTALLATION AND FITTING SERVICES

If you are having any difficulties please seek professional advice from the listed International and Domestic Authorised Dealers on our website.

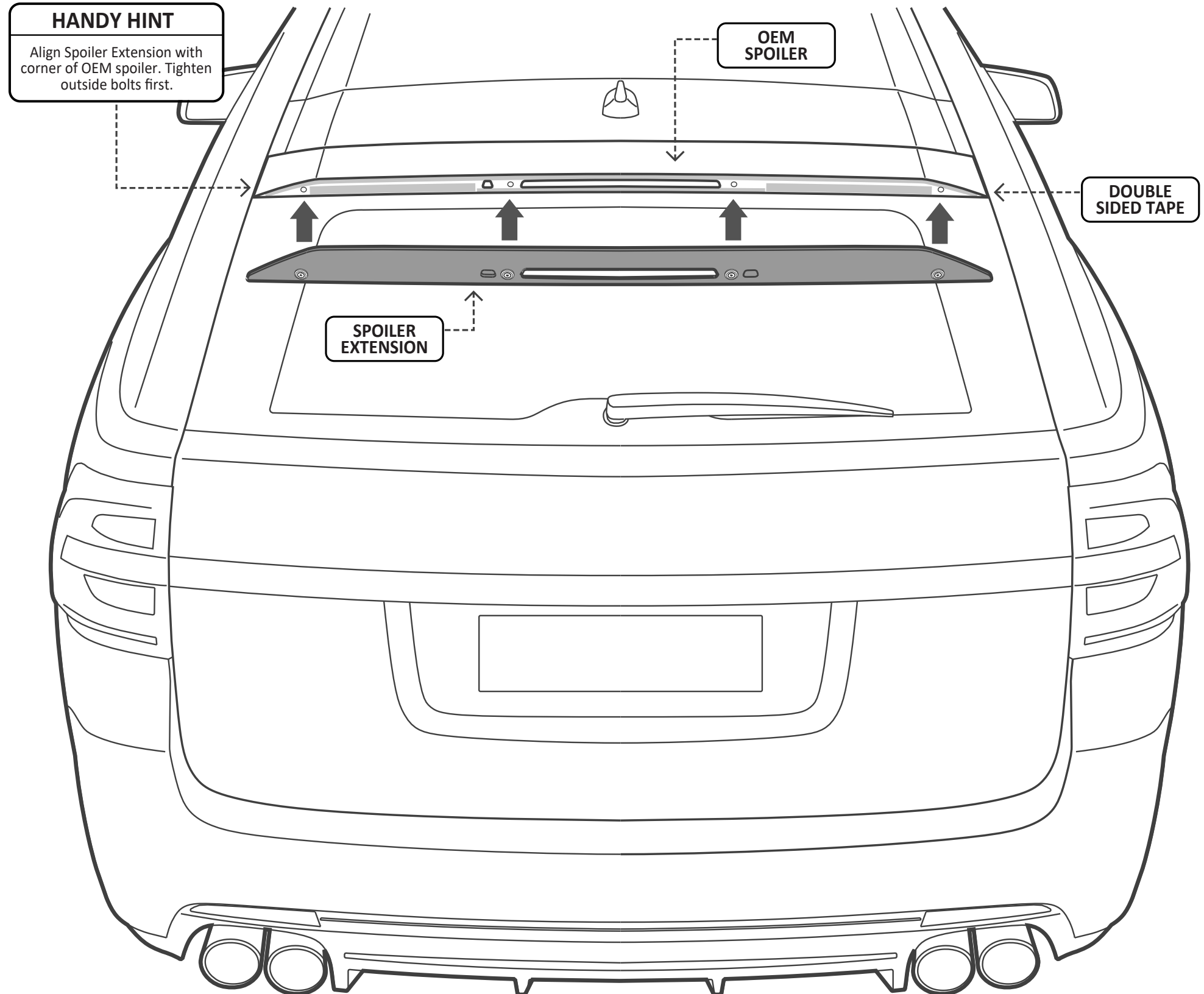
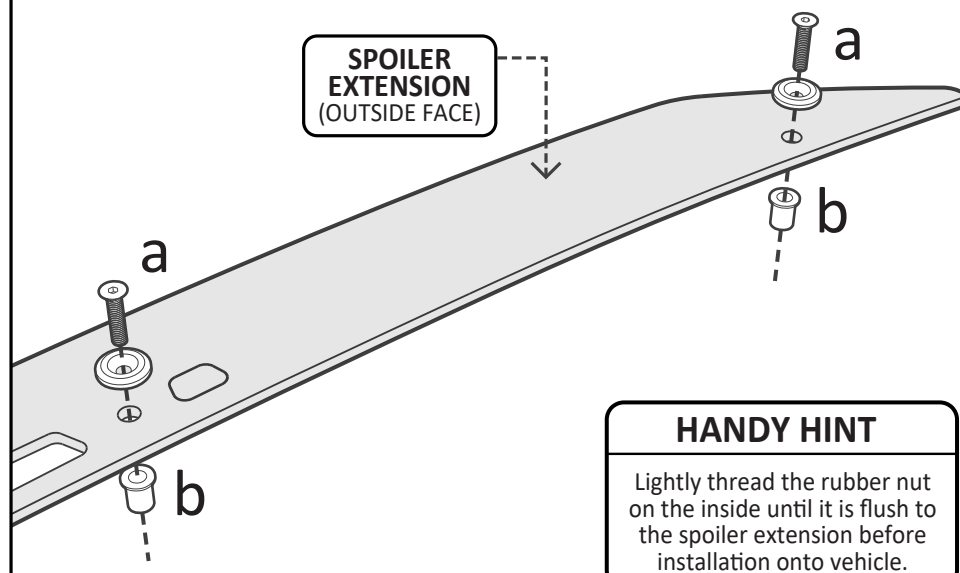
[www.flowdesignsaustralia.com](http://www.flowdesignsaustralia.com)

**OEM REAR SPOILER  
REMOVAL NOT REQUIRED**

## STEP 5

- Place **mounting bolts (a)** through the Flow Designs Spoiler Extension.
- Lightly **thread the rubber nuts (b)** on the inside of the spoiler extension.
- **Align pre-threaded rubber nuts** on the spoiler extension with **pre-drilled holes** in OEM spoiler.
- **Remove double sided tape** on OEM spoiler.
- **Push rubber nuts** into holes and **firmly hold** spoiler extension in place
- **Tighten bolts (a)** to finish installation.
- Once stuck to OEM Spoiler, hold in place for 2 minutes. **DO NOT** wash or drive car within 6 hours of installation.

**PLEASE NOTE : DO NOT OVERTIGHTEN** - These bolts should be hand tight to avoid the rubber nut from being pulled out of the hole.



### TERMS AND CONDITIONS: MISUSE OF GOODS

By taking possession of the Flow Designs Australia product, you (the buyer) agree that you have read, understood and will comply with the following disclaimer:

- This product may not be suitable for road use in your area. We cannot be held liable for any penalties or infringements that may occur after installing any of our products.
- We cannot guarantee that this product will comply with all subsequent aftermarket products you have applied to your vehicle.
- It is not legal to fit parts onto a road registered vehicle unless it carries and meets the designs rules and public road regulations of your area, region and/or country.
- We do our best effort to consider safety when designing our products. We want the scene to be a safe place for everyone!

This disclaimer absolves us (Flow Designs Australia) of any and all liability or breaches to any requirement as a result of installation of our products.

[www.flowdesignsaustralia.com](http://www.flowdesignsaustralia.com)