

FITTING GUIDE

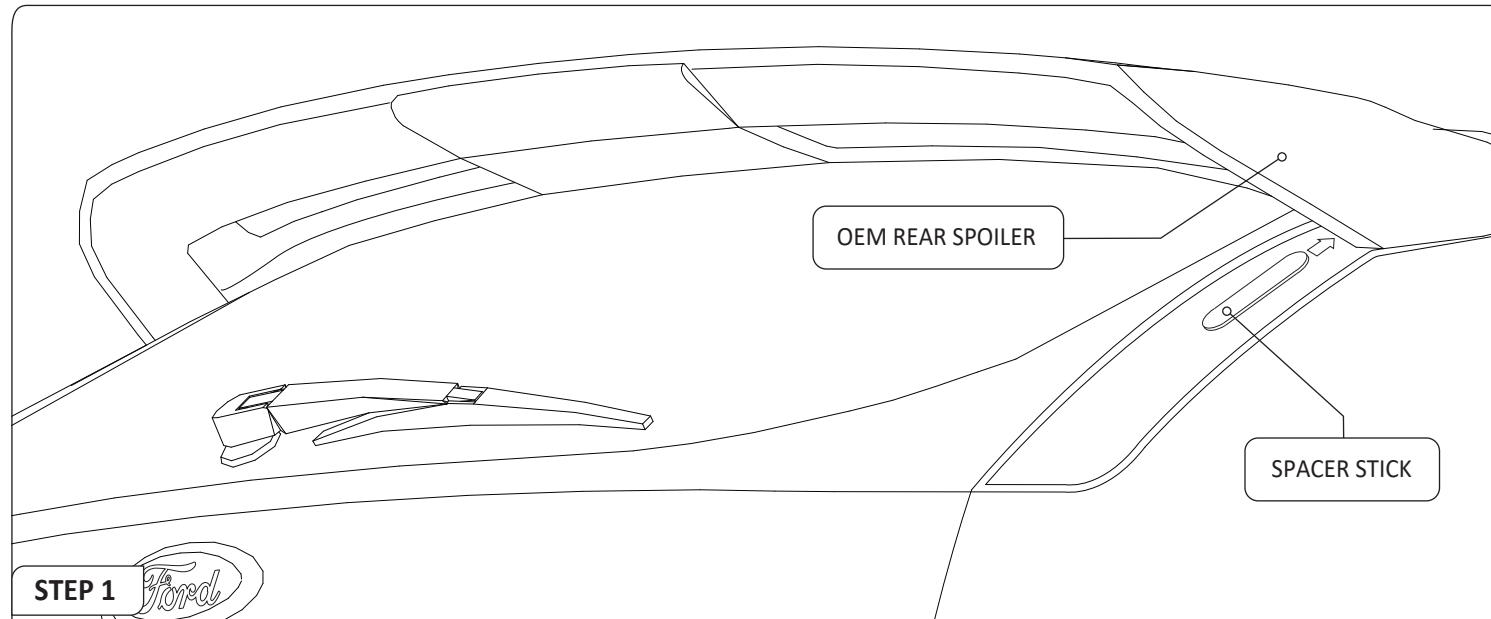
FORD XR5 FOCUS TURBO - REAR SPOILER EXTENSION

INSTALLATION AND FITTING SERVICES

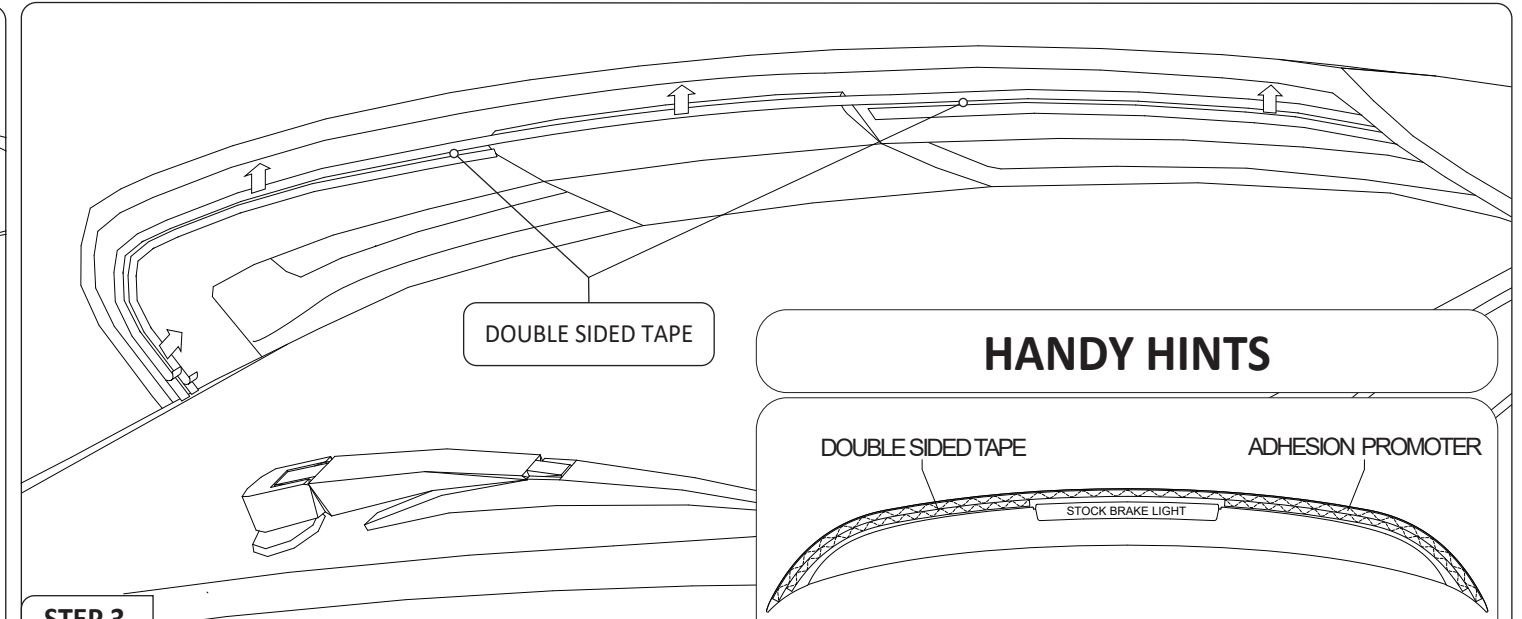
If you are having any difficulties please seek professional advice from the listed International and Domestic Authorised Dealers on our website.

www.flowdesignsaustralia.com

OEM REAR SPOILER REMOVAL NOT REQUIRED

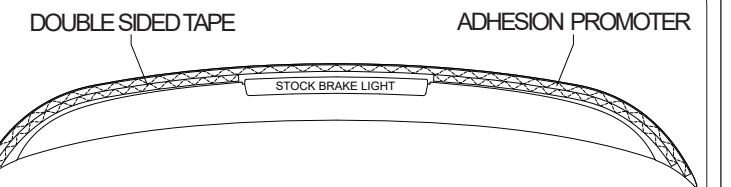


- Remove double sided tape from spacer stick
- Place the spacer stick on the rear tail light **underneath** the OEM rear spoiler by opening the boot. Ensure to place a spacer stick beneath both left and right tail lights.

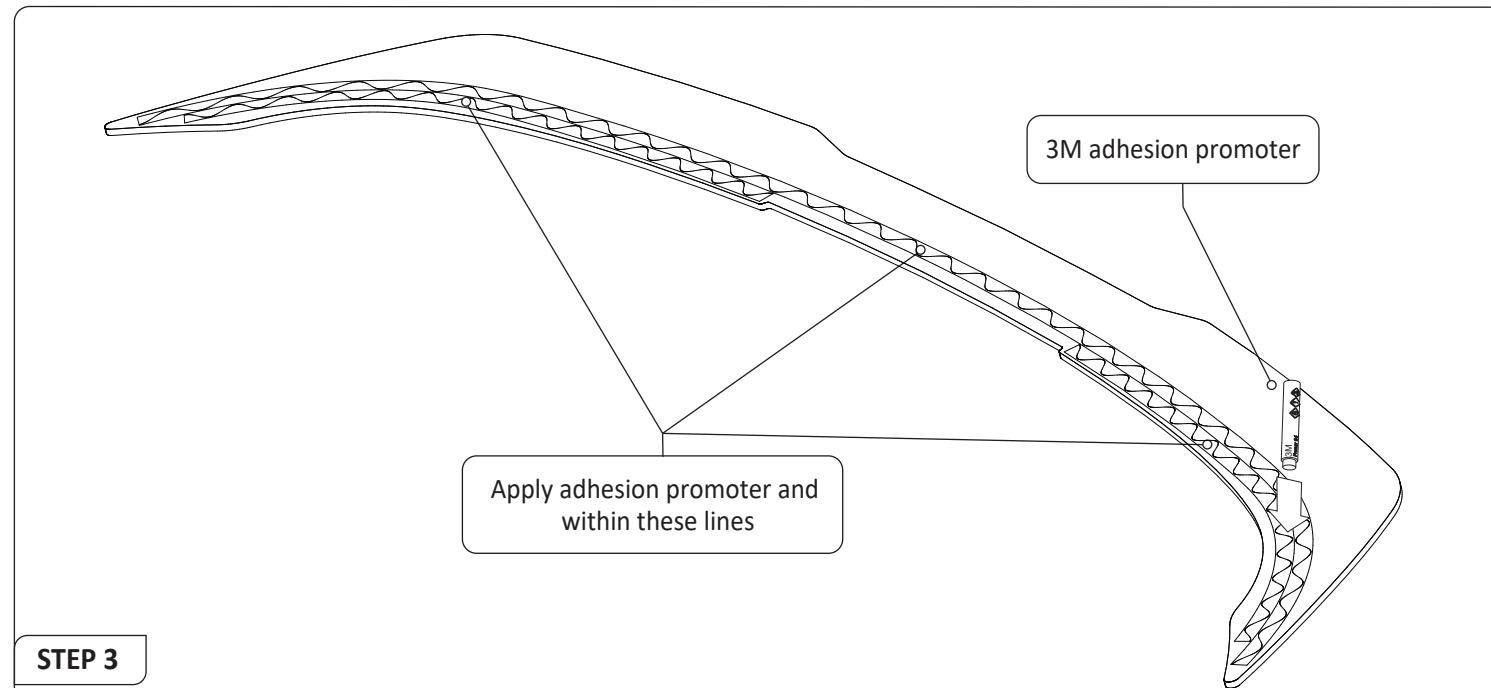


- Clean surface of OEM rear spoiler with **alcohol swab**
- Apply **3M adhesion promoter** and then double sided tape

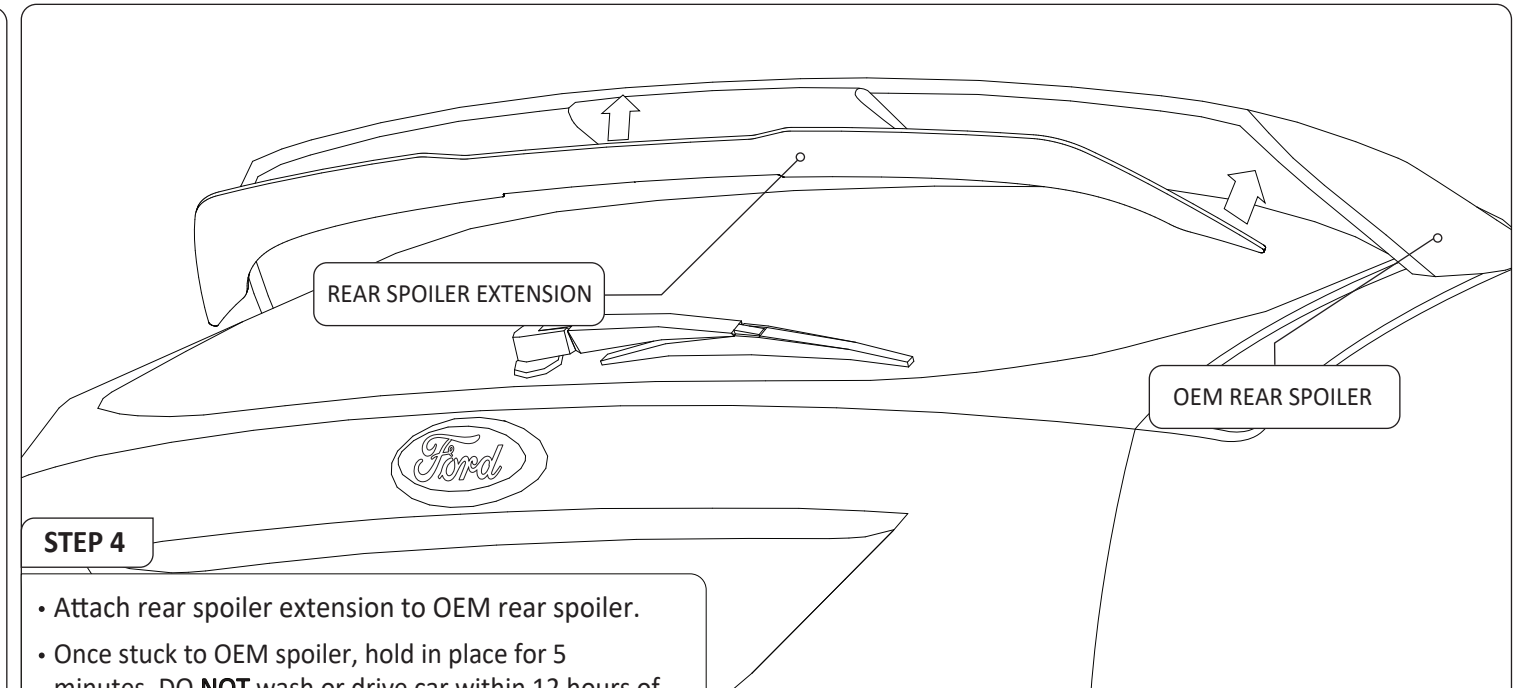
HANDY HINTS



Use above diagram as a guide for where to stick double sided tape



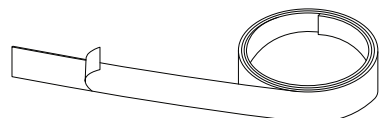
- Apply adhesion promoter to the rear spoiler extension using lines shown above as a guide



- Attach rear spoiler extension to OEM rear spoiler.
- Once stuck to OEM spoiler, hold in place for 5 minutes. **DO NOT** wash or drive car within 12 hours of installation.

FITTING KIT

3m of DOUBLE SIDED TAPE



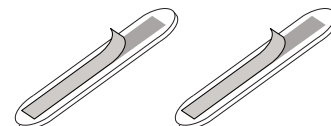
ALCOHOL SWAB



3M ADHESION PROMOTER



SPACER STICKS x2



TERMS AND CONDITIONS : MISUSE OF GOODS

By taking possession of this Flow Designs Australia product, you (the buyer) agree that you have read, understood and will comply with the following disclaimer:

- This product may not be suitable for road use in your area. We cannot be held liable for any penalties or infringements that may occur after installing any of our products.
- We cannot guarantee that this product will comply with subsequent aftermarket products you have applied to your vehicle.
- It is not legal to fit parts onto a road registered vehicle unless it carries and meets the design rules and public road regulations of your area, region and/or country.
- We do make our best effort to consider safety when designing our products, we want the scene to be a safe place for everyone! This disclaimer absolves us (Flow Designs Australia) of any and all liability for breaches to any requirement as a result of installation of our products.

www.flowdesignsaustralia.com