

FITTING DIAGRAM

FORD MUSTANG S550 FN GT REAR SPATS + ADJUSTABLE REAR WINGLETS

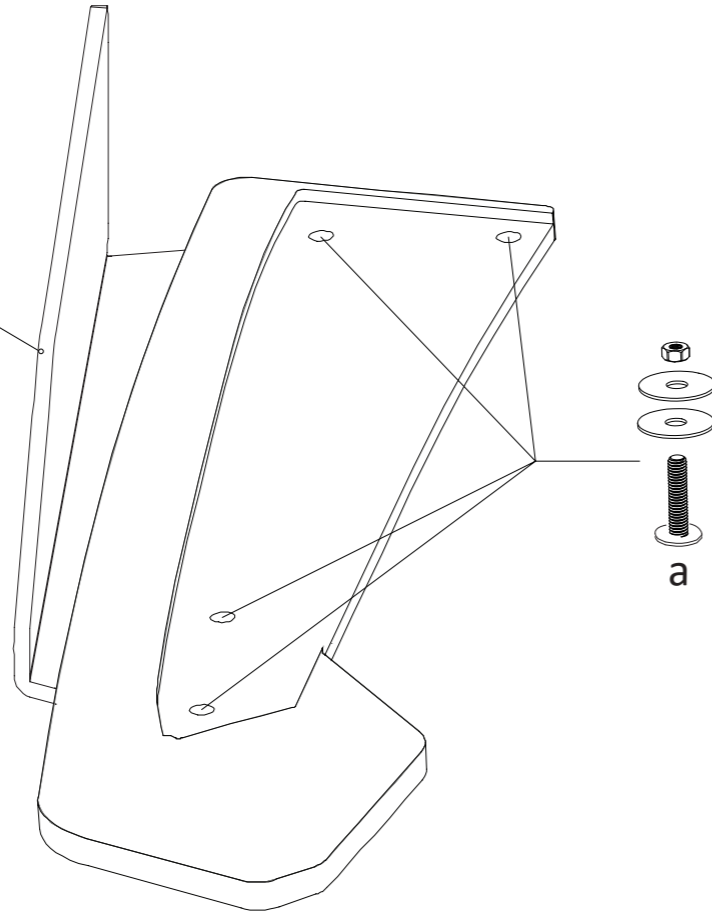
INSTALLATION AND FITTING SERVICES

If you are having any difficulties please seek professional advise from the listed International and Domestic Authorised Dealers on our website.

www.flowdesignsaustralia.com

BUMPER REMOVAL NOT REQUIRED

OPTIONAL
ADJUSTABLE REAR SPAT WINGLET
(NOT INCLUDED)



a

FITTING KIT

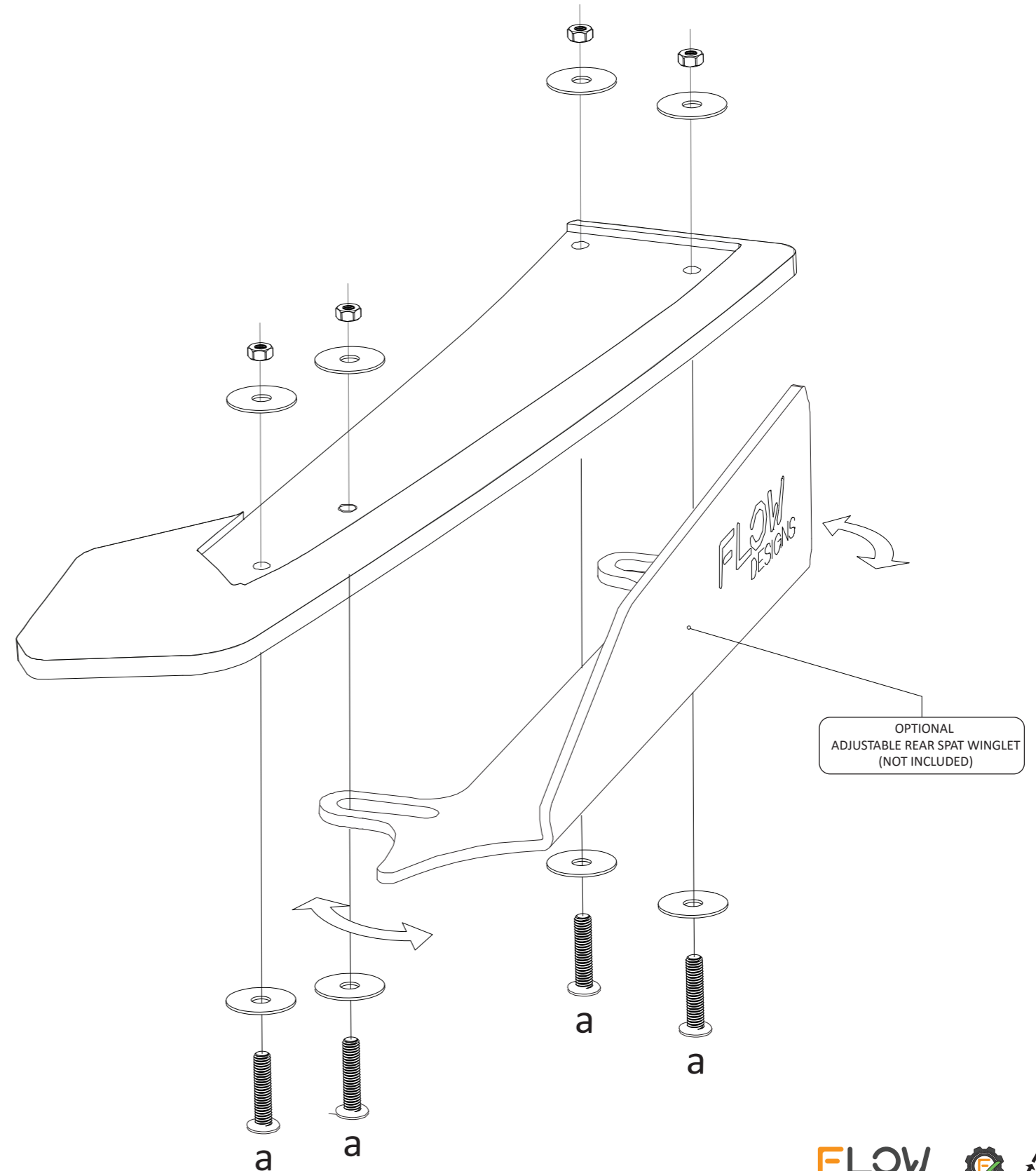
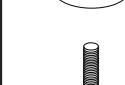
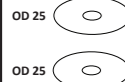
a

M6 BOLT
25mm LONG

X 8

PLEASE NOTE:
DRILLING REQUIRED
TO FASTEN TO BUMPER

PLEASE USE 8mm DRILL BIT



OPTIONAL
ADJUSTABLE REAR SPAT WINGLET
(NOT INCLUDED)