

FITTING DIAGRAM

FORD MUSTANG S550 FM GT REAR DIFFUSER + FLOW-LOCK FINS

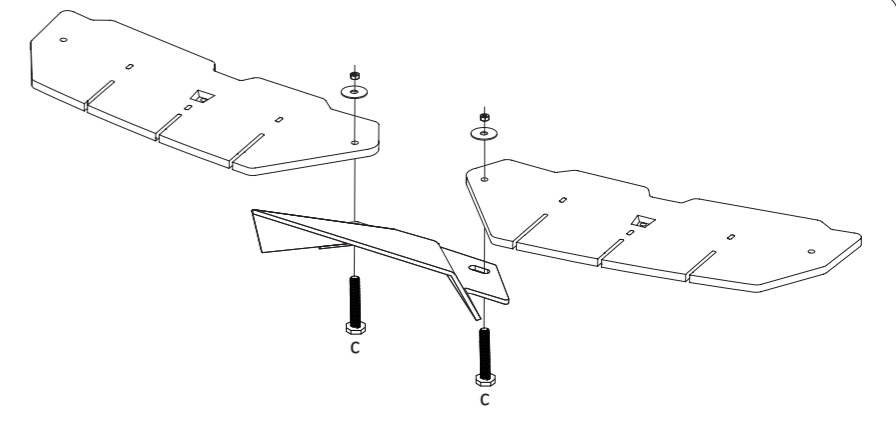
INSTALLATION AND FITTING SERVICES

If you are having any difficulties please seek professional advise from the listed International and Domestic Authorised Dealers on our website.

www.flowdesignsaustralia.com

BUMPER REMOVAL NOT REQUIRED

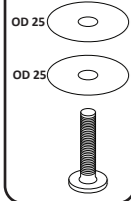
HANDY HINTS



- To install optional centre bracket, align with inside of Flow Designs diffusers.
- Using bolts (c.), fasten optional centre bracket and Flow Designs Diffusers to OEM diffuser.

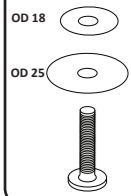
FITTING KIT

a
M6 BOLT
25mm LONG
X 2



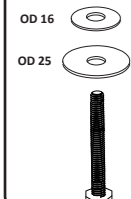
PLEASE NOTE:
DRILLING **REQUIRED**
TO FASTEN TO BUMPER
PLEASE USE 8mm DRILL BIT

b
M6 BOLT
25mm LONG
X 2

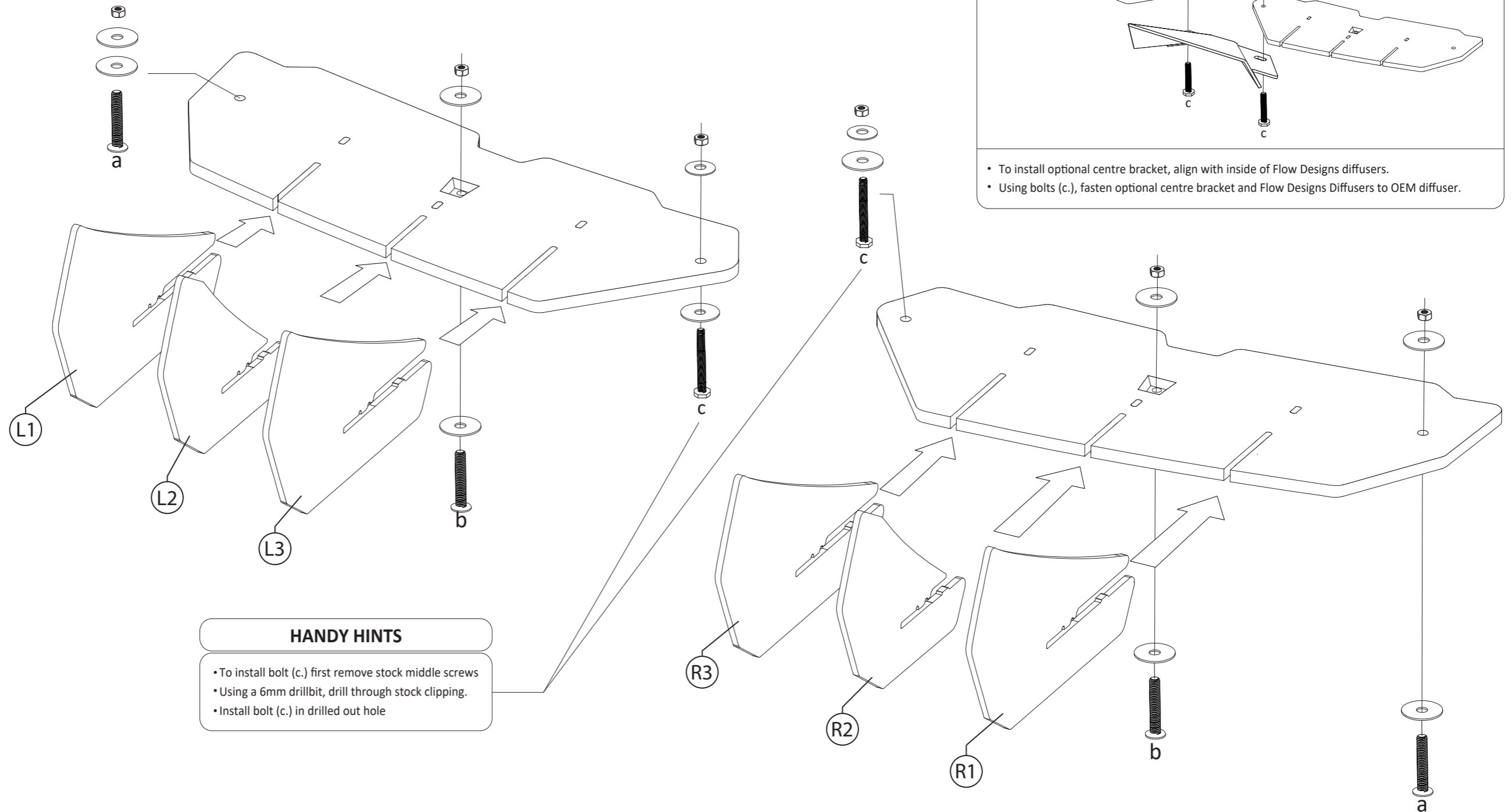


PLEASE NOTE:
DRILLING **REQUIRED**
TO FASTEN TO BUMPER
PLEASE USE 8mm DRILL BIT

c
M5 BOLT
50mm LONG
X 2



PLEASE NOTE:
DRILLING **REQUIRED**
TO FASTEN TO BUMPER
PLEASE USE 6mm DRILL BIT



HANDY HINTS

- To install bolt (c.) first remove stock middle screws
- Using a 6mm drillbit, drill through stock clipping.
- Install bolt (c.) in drilled out hole