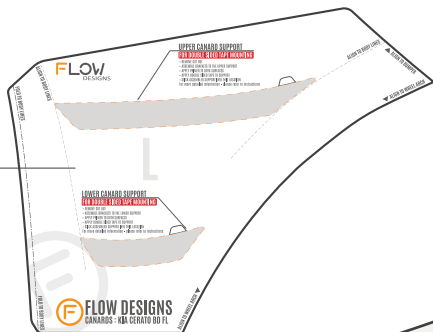




FLOW DESIGNS

KIA CERATO BD FACELIFT INSTRUCTIONS CANARD SET

MOUNTING
TEMPLATE



UPPER CANARD
DIVE PLANE

BLACK STAINLESS
M4 COUNTERSUNK BOLT

DOUBLE SIDED TAPE

BLACK STAINLESS MOUNTING BRACKET

UPPER CANARD SUPPORT

BLACK STAINLESS
M4 COUNTERSUNK BOLT

DOUBLE SIDED TAPE

BLACK STAINLESS MOUNTING BRACKET

LOWER CANARD SUPPORT

WATCH ME
BEFORE INSTALLATION



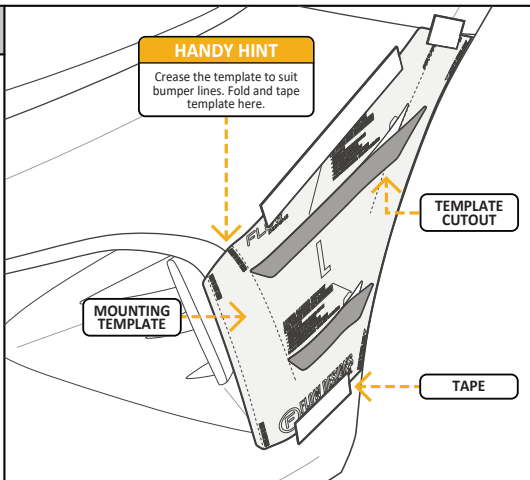
FLOW
DESIGNS

CANARD SET INSTALLATION INSTRUCTIONS

KIA CERATO BD FACELIFT

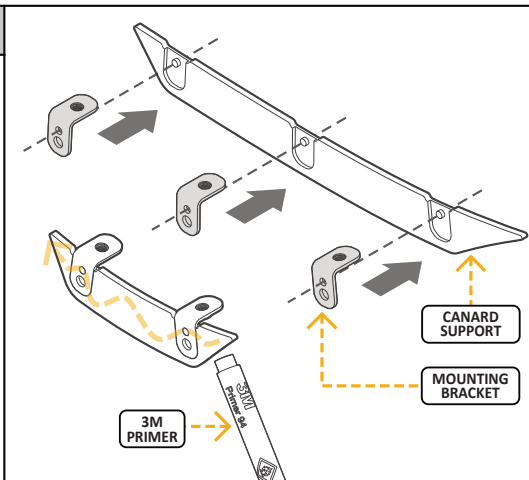
STEP 1

- **CLEAN THE BUMPER BEFORE INSTALLING CANARDS.**
- **Align the template to the front bumper and wheel arch.**
- Contour the template along the fold lines to suit the vehicle.
- **Tape the template to the vehicle.**
- **Peel perforated cut-out on template for both upper and lower canard supports.**



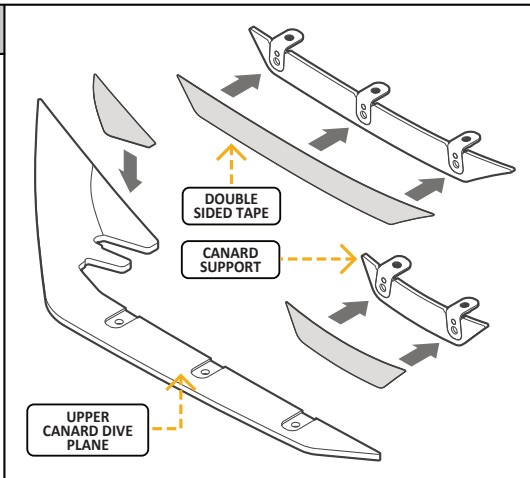
STEP 2

- **Assemble the mounting brackets to the upper and lower canard supports.**
- Use one of the provided primer sticks and **apply primer to the back of all canard supports and area as marked on the upper dive plane.**



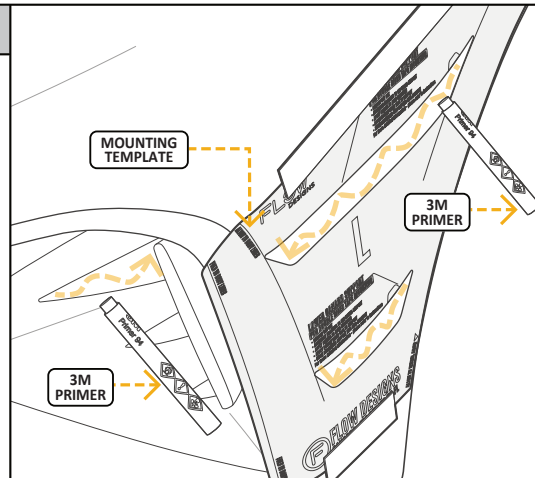
STEP 3

- **Apply double-sided tape to the back side of the canard supports.**
- **Apply double-sided tape to upper dive plane** as shown in the installation video.



STEP 4

- **Use the alcohol swab to clean the area within the cut-out on the template.**
- **Apply primer both sides of the vehicle** within cut-out on template.
- **Apply primer to the bumper around the vent** as shown in the installation video.



STEP 5

- Peel backing of **double-sided tape** on the canard supports.
- **Align the upper and lower canard supports** to the template and adhere to bumper.
- Hold the canard support to the vehicle for 1-2 minutes.
- **Remove template** from vehicle.

HANDY HINT

Firmly hold the canard support to the vehicle once aligned and mounted for 1-2 minutes.

MOUNTING TEMPLATE

UPPER CANARD SUPPORT

LOWER CANARD SUPPORT

STEP 6

- **Align and mount the lower canard dive plane** to the lower canard support first.
- Ensure the lower canard dive plane is flush to the bumper before tightening the dive plane mounting bolts.

HANDY HINT

Ensure the dive plane is flush to the bumper before tightening all mounting bolts.

8MM M4 COUNTERSUNK BOLT

LOWER CANARD DIVE PLANE

LOWER CANARD SUPPORT

STEP 7

- Peel the backing of the **double-sided tape** on the upper dive plane.
- **Align and mount the upper dive plane** to the upper canard support.
- Ensure the upper canard dive plane is flush to the bumper before tightening the dive plane mounting bolts.

HANDY HINT

Ensure the dive plane is flush to the bumper and to bumper vent trim before tightening mounting bolts.

UPPER CANARD DIVE PLANE

8MM M4 COUNTERSUNK BOLT

UPPER CANARD SUPPORT

STEP 8

- **Repeat steps 6 & 7 on opposite side** of vehicle to complete canard installation.

CANARD FITTING KIT

DIVE PLANE MOUNTING BOLTS



COUNTERSUNK BOLT
BLACK STAINLESS
M4 X 8MM
X 10

MOUNTING BRACKETS



X 10

ALCOHOL SWAB + PRIMER



X 2

DOUBLE SIDED TAPE



3M DOUBLE SIDED TAPE SET
X 1

PARTS AND FITTING KIT

KIA CERATO BD FACELIFT

PARTS LIST



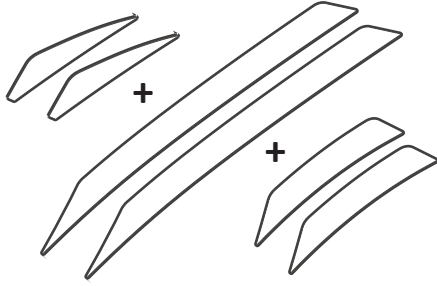
X 10
MOUNTING
BRACKETS



X 10
BLACK STAINLESS
BOLT
COUNTERSUNK
M4 X 8MM



X 2
ALCOHOL
SWAB
+
PRIMER



X 2
UPPER CANARD
SUPPORT

X 2
UPPER CANARD
DIVE PLANE

X 1
3M DOUBLE
SIDED TAPE
SET

X 2
LOWER CANARD
DIVE PLANE

X 2
LOWER CANARD
SUPPORT



X 1
2.5MM
ALLEN KEY

X 2
MOUNTING
TEMPLATE

