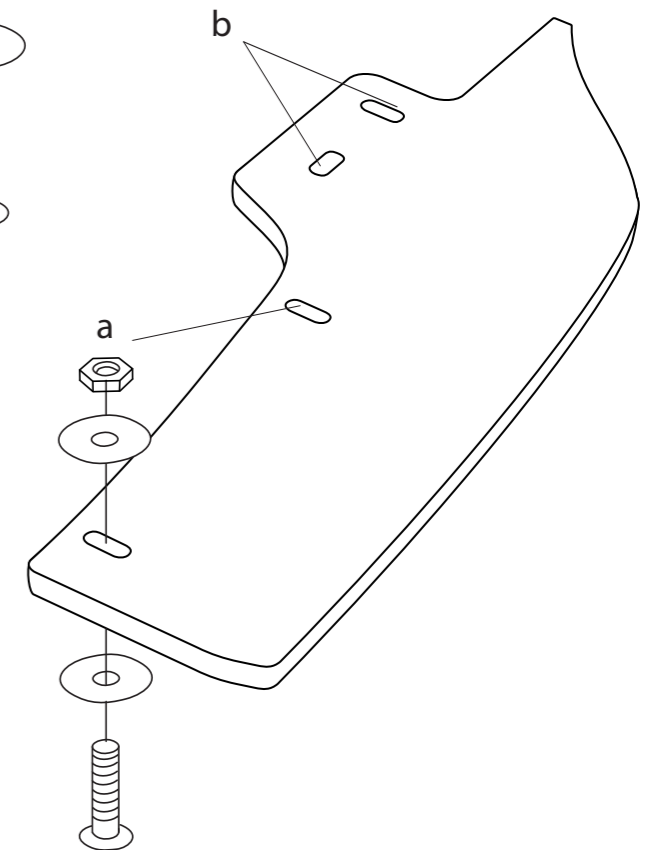
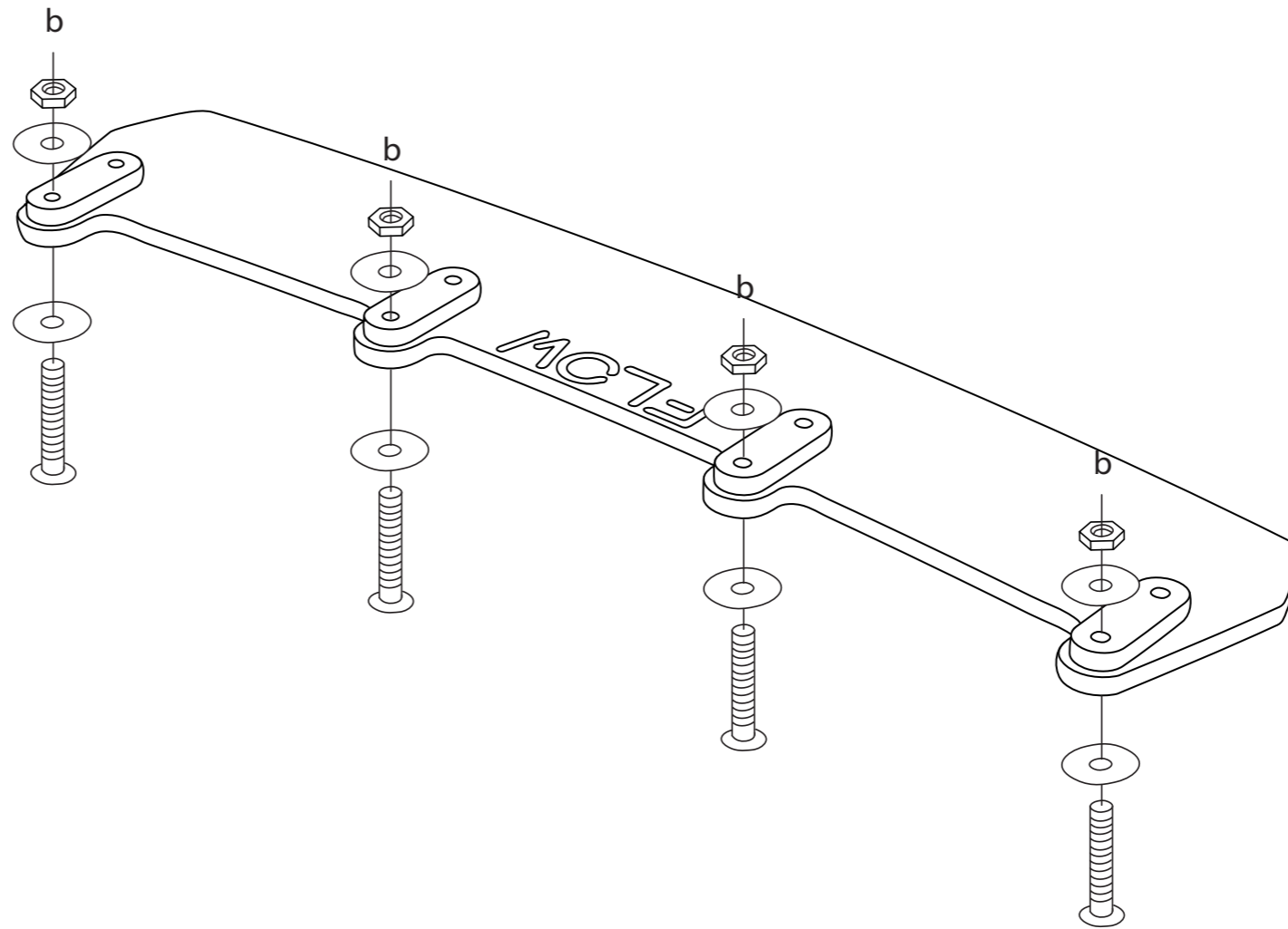
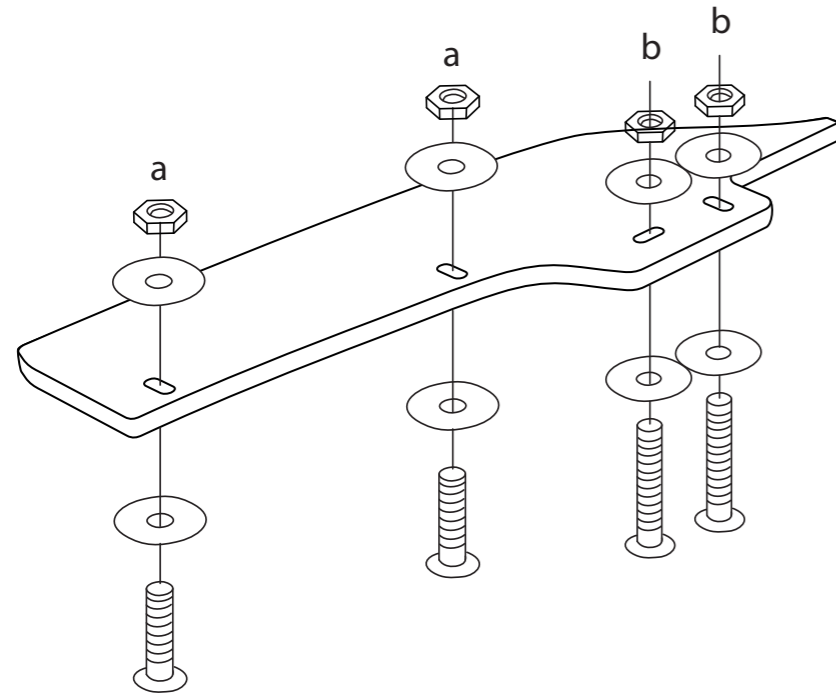


FITTING INSTRUCTIONS

AUDI S3 8V REAR VALANCE



FITTING KIT

NOTE: DRILLING REQUIRED
TO FASTEN BUMPER

a



**30mm
x4**

b



**40mm
x8**