

FITTING DIAGRAM

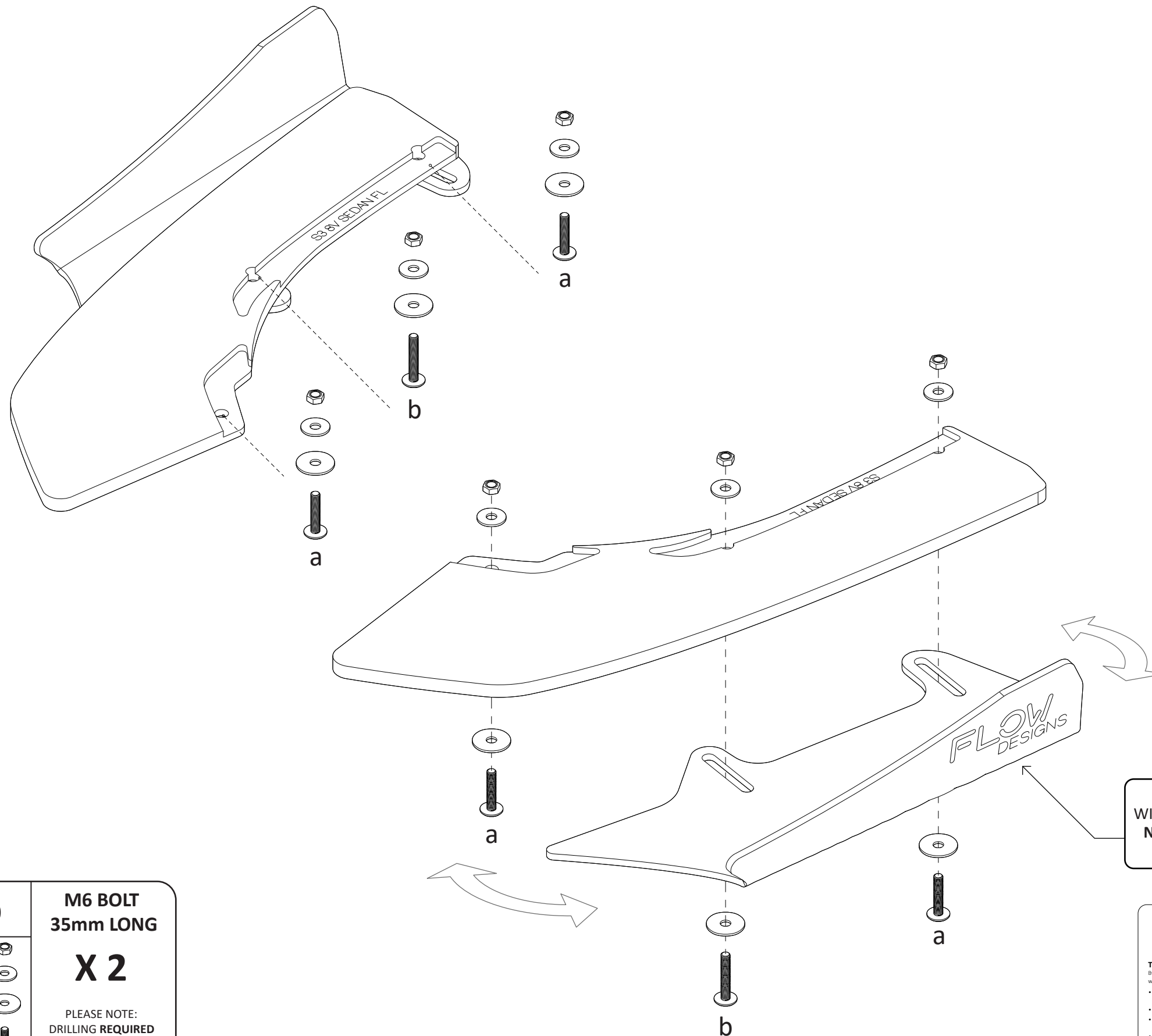
AUDI S3 8V SEDAN FACELIFT: REAR SPAT + ADJUSTABLE REAR WINGLETS

INSTALLATION AND FITTING SERVICES

If you are having any difficulties please seek professional advice from the listed International and Domestic Authorised Dealers on our website.

www.flowdesignsaustralia.com

**BUMPER REMOVAL
NOT REQUIRED**



FITTING KIT

a	M6 BOLT 30mm LONG X 4	b	M6 BOLT 35mm LONG X 2
 	<p>PLEASE NOTE: DRILLING REQUIRED TO FASTEN TO BUMPER PLEASE USE 8mm DRILL BIT</p>	 	<p>PLEASE NOTE: DRILLING REQUIRED TO FASTEN TO BUMPER PLEASE USE 8mm DRILL BIT</p>

OPTIONAL REAR SPAT
WINGLETS **SOLD SEPARATELY.**
NOT INCLUDED WITH SPAT
PURCHASE



TERMS AND CONDITIONS: MISUSE OF GOODS
By taking possession of the Flow Designs Australia product, you (the buyer) agree that you have read, understood and will comply with the following disclaimer:
 • This product may not be suitable for road use in your area. We cannot be held liable for any penalties or infringements that may occur after installing any of our products.
 • We cannot guarantee that this product will comply with all subsequent aftermarket products you have applied to your vehicle.
 • It is not legal to fit parts onto a road registered vehicle unless it carries and meets the designs rules and public road regulations of your area, region and/or country.
 • We do our best effort to consider safety when designing our products. We want the scene to be a safe place for everyone!
 This disclaimer absolves us (Flow Designs Australia) of any and all liability or breaches to any requirement as a result of installation of our products.

www.flowdesignsaustralia.com