

FITTING DIAGRAM

AUDI S3 8V PFL SEDAN V3: REAR SPATS + ADJUSTABLE REAR WINGLETS

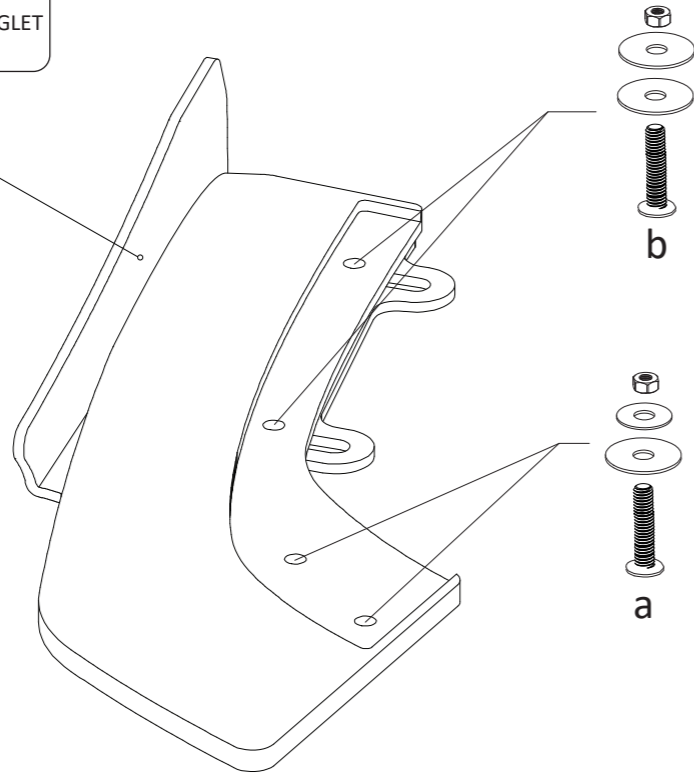
INSTALLATION AND FITTING SERVICES

If you are having any difficulties please seek professional advice from the listed International and Domestic Authorised Dealers on our website.

www.flowdesignsaustralia.com

BUMPER REMOVAL NOT REQUIRED

OPTIONAL
ADJUSTABLE REAR SPAT WINGLET
(NOT INCLUDED)



FITTING KIT

a

M6 BOLT
30mm LONG

X 4



PLEASE NOTE:
DRILLING REQUIRED
TO FASTEN TO BUMPER
DO NOT OVERTIGHTEN
PLEASE USE 8mm DRILL BIT

b

M6 BOLT
25mm LONG

X 4



PLEASE NOTE:
DRILLING REQUIRED
TO FASTEN TO BUMPER
DO NOT OVERTIGHTEN
PLEASE USE 8mm DRILL BIT

