

# FITTING DIAGRAM

AUDI S3 8V SPORTBACK PFL V3: FRONT EXTENSION + FRONT WINGLETS

## INSTALLATION AND FITTING SERVICES

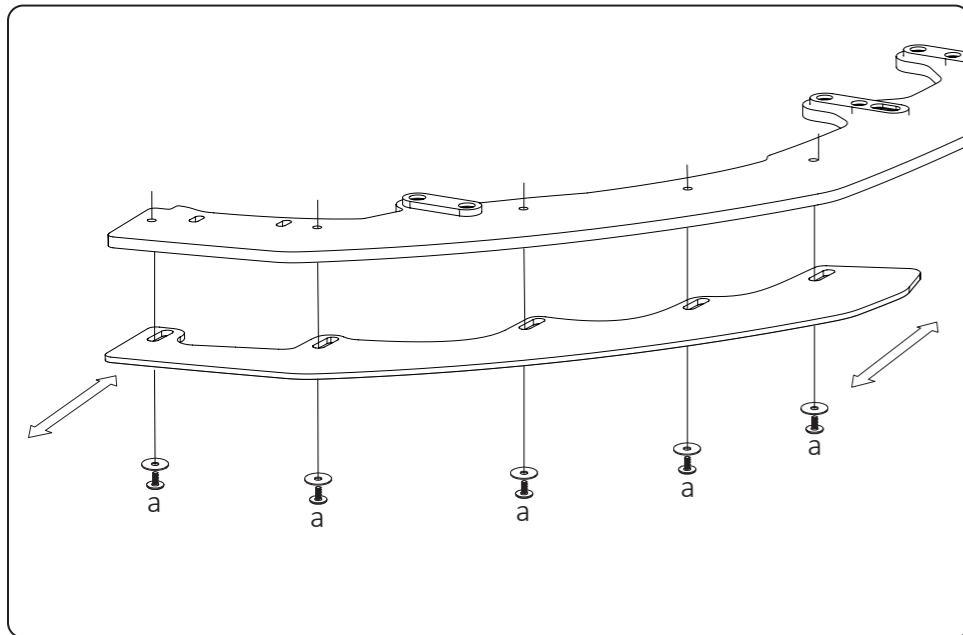
If you are having any difficulties please seek professional advise from the listed International and Domestic Authorised Dealers on our website.

[www.flowdesignsaustralia.com](http://www.flowdesignsaustralia.com)

**BUMPER REMOVAL  
NOT REQUIRED**

## CONFIGURATION 1

FRONT EXTENSIONS ONLY

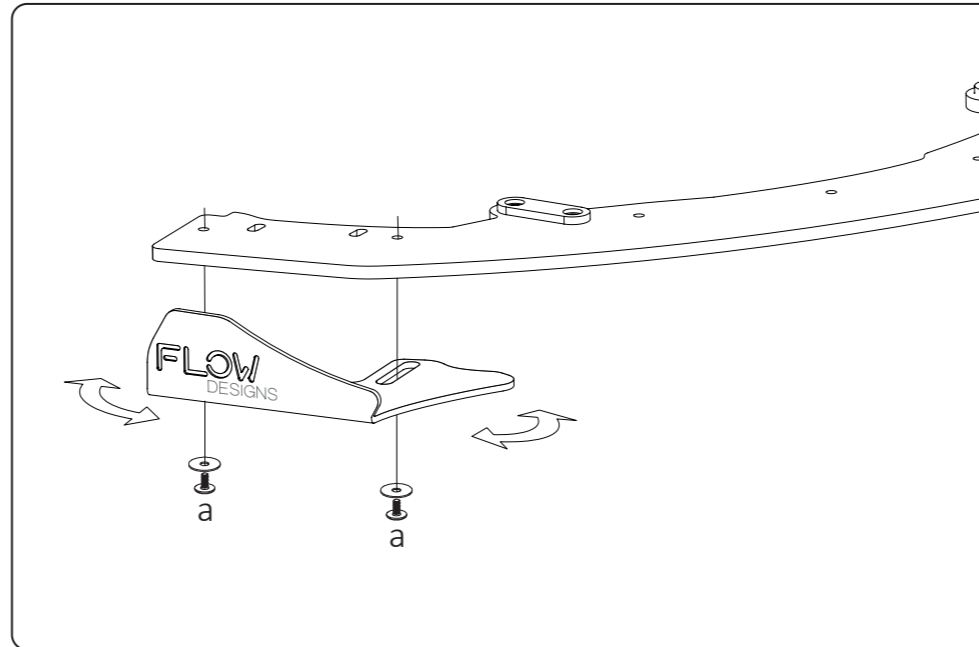


- Insert bolts loosely into allocated brass thread locations.
- Slide extensions in and out to your liking.
- Use a 4mm Allen Key to hand tighten.

**PLEASE NOTE : DO NOT OVERTIGHTEN** - These bolts do not need to be very tight.

## CONFIGURATION 2

FRONT WINGLETS ONLY

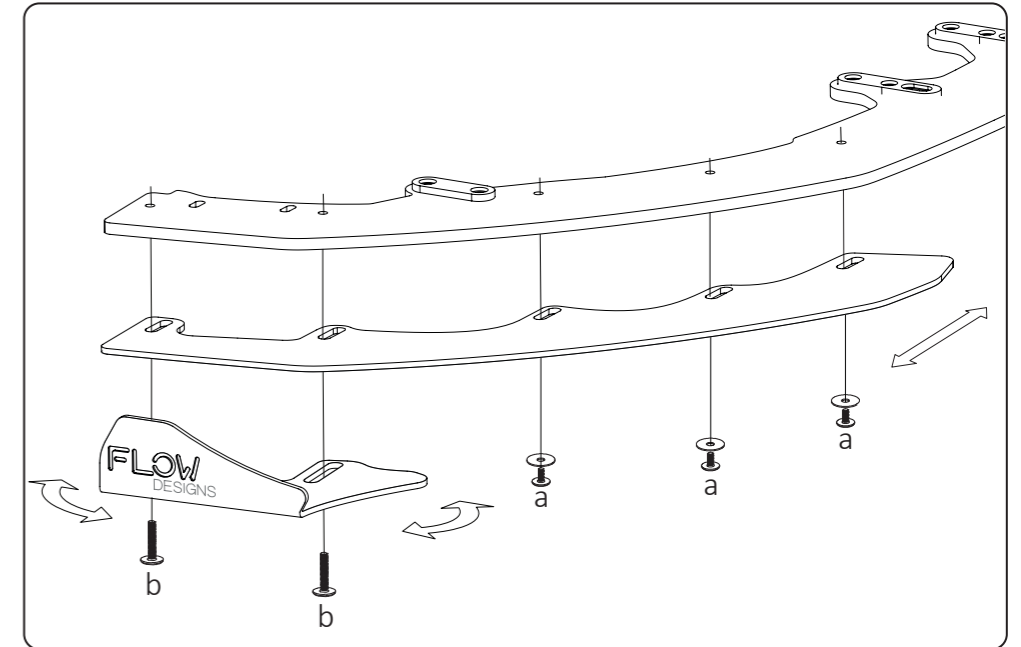


- Insert bolts loosely into allocated brass thread locations.
- Slide and pivot winglets to your liking.
- Use a 4mm Allen Key to hand tighten.

**PLEASE NOTE : DO NOT OVERTIGHTEN** - These bolts do not need to be very tight.

## CONFIGURATION 3

FRONT EXTENSIONS AND WINGLETS



- Insert bolts loosely into allocated brass thread locations.
- Slide and pivot extensions and winglets to your liking.
- Use a 4mm Allen Key to hand tighten.

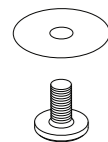
**PLEASE NOTE : DO NOT OVERTIGHTEN** - These bolts do not need to be very tight.

## FITTING KIT

a

M6 BOLT  
12mm LONG

**X 10**



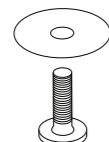
PLEASE NOTE:  
DRILLING NOT REQUIRED  
TO FASTEN TO SPLITTER

DO NOT OVERTIGHTEN

b

M6 BOLT  
20mm LONG

**X 4**



PLEASE NOTE:  
DRILLING NOT REQUIRED  
TO FASTEN TO SPLITTER

DO NOT OVERTIGHTEN



**PLEASE NOTE**  
FOR ADD ON ACCESSORIES

**DO NOT**  
OVERTIGHTEN FASTENERS  
INTO BRASS FITTINGS

HAND TIGHTEN ONLY

FLOW  
DESIGNS

**FLOW**  
DESIGNS

FLOW DESIGNS AUSTRALIA  
ABN : 99 605 842 199  
FACTORY 11  
6-7 NICOLE CLOSE  
BAYSWATER NORTH  
VIC, 3153



### TERMS AND CONDITIONS : MISUSE OF GOODS

By taking possession of this Flow Designs Australia product, you (the buyer) agree that you have read, understood and will comply with the following disclaimer;

- This product may not be suitable for road use in your area. We cannot be held liable for any penalties or infringements that may occur after installing any of our products.
  - We cannot guarantee that this product will comply with subsequent aftermarket products you have applied to your vehicle.
  - It is not legal to fit parts onto a road registered vehicle unless it carries and meets the design rules and public road regulations of your area, region and/or country.
  - We do make our best effort to consider safety when designing our products, we want the scene to be a safe place for everyone!
- This disclaimer absolves us (Flow Designs Australia) of any and all liability for breaches to any requirement as a result of installation of our products.

[www.flowdesignsaustralia.com](http://www.flowdesignsaustralia.com)