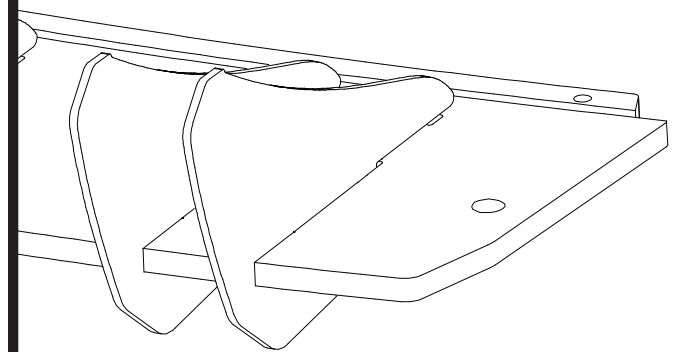
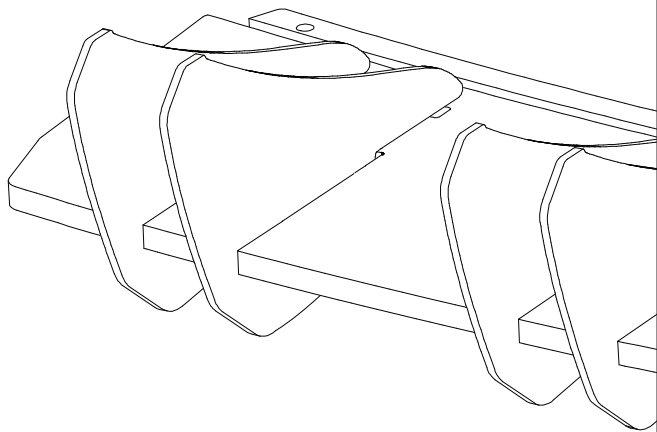
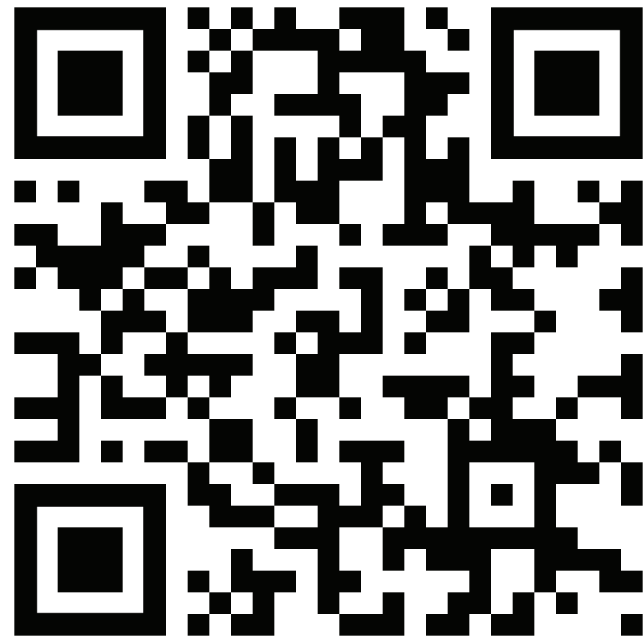


# AUDI RS3 8V FACELIFT - SEDAN REAR DIFFUSER INSTRUCTIONS

PLEASE SCAN QR CODE  
TO WATCH INSTRUCTIONAL VIDEO  
BEFORE INSTALLING



# FITTING DIAGRAM

## AUDI RS3 8V FL SEDAN: REAR DIFFUSER + FLOW-LOCK FINS

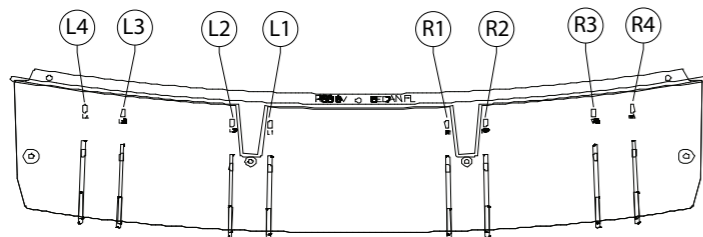
INSTALLATION AND FITTING SERVICES

If you are having any difficulties please seek professional advice from the listed International and Domestic Authorised Dealers on our website.

www.flowdesignsaustralia.com

# BUMPER REMOVAL NOT REQUIRED

### HANDY HINTS



- Align FLOW-LOCK Fins to their corresponding slots.
- Please ensure to allocate the correct FLOW-LOCK Fin to the correct corresponding slot (L1 into L1 slot, R1 into R1 slot etc.)
- Ensure textured side of fin is facing out from opposing fin
- Push fin firmly into the slots until a clicking sound is heard.
- Check both top and bottom locking tabs have securely seated.

**Please Note :** Once fins have been locked into position, they will be difficult to remove.

### HANDY HINTS

- Clamp diffuser in place aligning the back edge of the diffuser to the back edge of the stock rear bumper.
- Using the rear diffuser as a template, drill out all holes using a 6mm drill bit. Before fastening supplied fittings, enlarge holes at points (c) using a 10mm drill bit

SEE QR CODE BELOW FOR INSTALLTION VIDEO

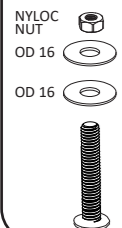
### HANDY HINTS - FITTING KIT (b)

Place countersunk washer **facing up** within pocket of rear diffuser for correct installation

### FITTING KIT

**a** M5 BOLT 30mm LONG

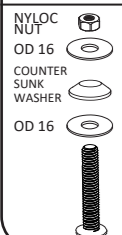
**X 3**



PLEASE NOTE:  
DRILLING REQUIRED TO FASTEN TO BUMPER  
DO NOT OVERTIGHTEN  
PLEASE USE 6mm DRILL BIT

**b** M5 BOLT 30mm LONG

**X 2**



PLEASE NOTE:  
DRILLING REQUIRED TO FASTEN TO BUMPER  
DO NOT OVERTIGHTEN  
PLEASE USE 6mm DRILL BIT

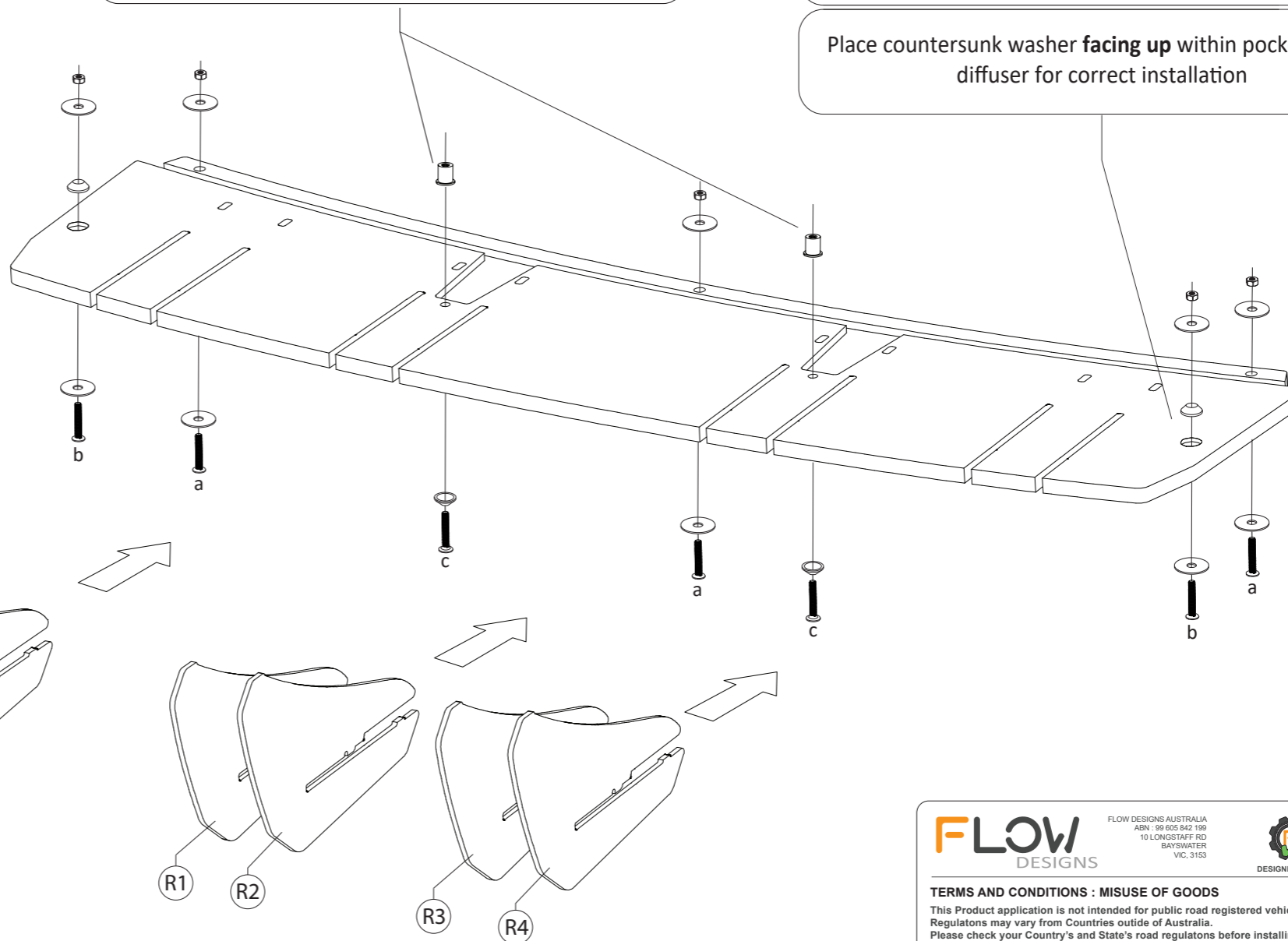
**c** M5 BOLT 30mm LONG COUNTERSUNK

**X 2**



PLEASE NOTE:  
DRILLING REQUIRED TO FASTEN TO BUMPER  
DO NOT OVERTIGHTEN  
PLEASE USE 6mm DRILL BIT

INSTRUCTIONAL VIDEO QR CODE



FLOW-LOCK TECHNOLOGY

FLOW DESIGNS



**FLOW** DESIGNS

FLOW DESIGNS AUSTRALIA  
ABN : 99 605 842 199  
10 LONGSTAFF RD  
BAYSWATER  
VIC. 3153



#### TERMS AND CONDITIONS : MISUSE OF GOODS

This Product application is not intended for public road registered vehicles within Australia. Regulations may vary from Countries outside of Australia. Please check your Country's and State's road regulations before installing on a vehicle intended for public road use.

Flow Designs Australia PTY LTD will not be liable for any liabilities in relation to any use of the goods other than in strict accordance with the Company's instructions and for the purpose and application for which the goods were supplied by the Company.

The Client undertakes with the Company:

- That it will acquaint itself with the requirements of all relevant government or statutory and other authorities, bodies or corporations relating to the goods and/or services and to the applications to which the goods and/or services are to be put;
- That at all times while the goods are in its possession or under its control it will comply with such requirements;
- That it will procure that any purchaser of goods from it will also acquaint itself with, and will comply with, such requirements;
- That it will indemnify the Company against any liability resulting from a breach of any such requirements.

www.flowdesignsaustralia.com