


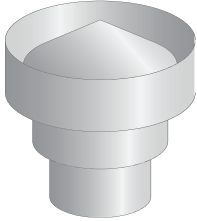


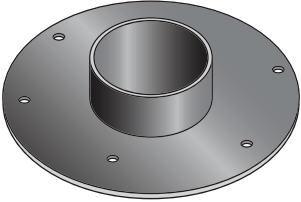

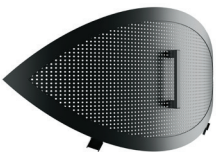
# INSTALLATION MANUAL

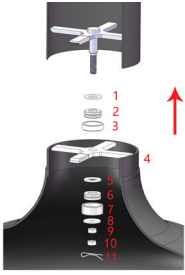
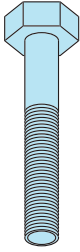
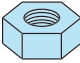
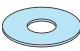


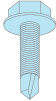
AUSTRALIA & NEW ZEALAND

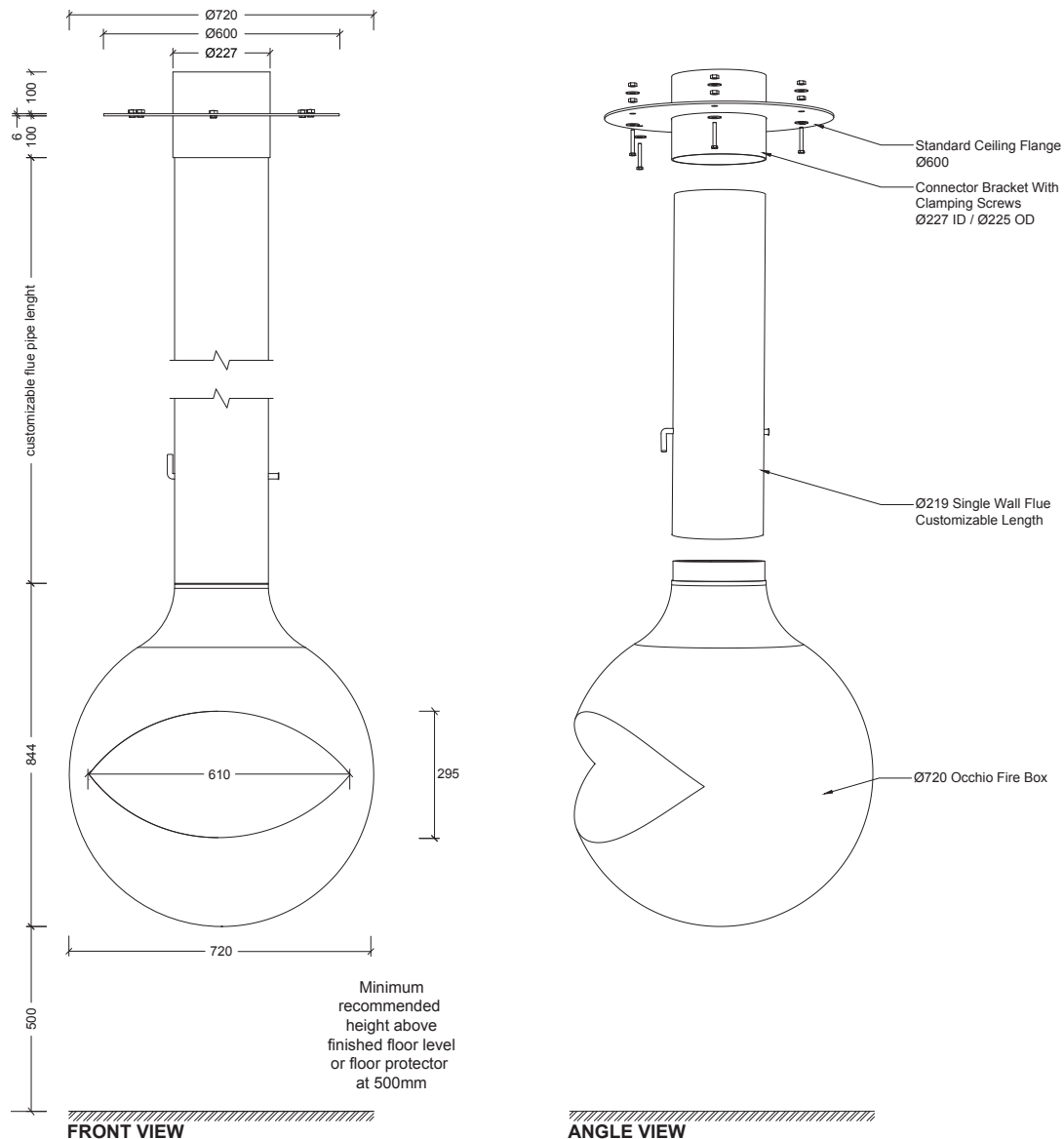
## ZEN OCCHIO SUSPENDED FIREPLACE



9 Gwynne Street Cremorne VIC 3121  
1300 911 558  
[www.zenfireplaces.com.au](http://www.zenfireplaces.com.au)

<p><b>FIREBOX</b></p>		<p><b>X1</b></p>
<p><b>STAINLESS STEEL RAIN HAT</b></p>		<p><b>X1</b></p>
<p><b>STAINLESS STEEL DOUBLE WALL FLUE CASING</b></p>		<p><b>2 metres (standard)</b></p>
<p><b>SINGLE WALL FLUE PIPE</b></p>		<p><b>3.5 metres (standard)</b></p>
<p><b>CEILING FLANGE</b></p>		<p><b>X1</b></p>
<p><b>FIREPLACE GRATE</b></p>		<p><b>X1</b></p>
<p><b>FIREPLACE GUARD</b></p>		<p><b>x1</b></p>

<p><b>360 DEGREE ROTATION SYSTEM &amp; FIXINGS</b></p>		<p><b>X1</b></p>
<p><b>M12 X 150MM HEX BOLT</b></p>		<p><b>x6</b></p>
<p><b>M12 NUT</b></p>		<p><b>x12</b></p>
<p><b>M12 WASHER</b></p>		<p><b>x12</b></p>
<p><b>M14 NUT</b></p>		<p><b>X2</b></p>
<p><b>M14 WASHER</b></p>		<p><b>X1</b></p>
<p><b>M8 SCREW</b></p>		<p><b>X20</b></p>



## HEATER DIMENSIONS

- Overall Height: 844mm
- Overall Diameter: 720mm
- Usable Firebox Height: 500mm
- Usable Firebox Width: 720mm
- Usable Firebox Depth: 720mm
- Usable Firebox Volume: 161.1 litres
- Firebox material: Fully welded 5mm steel
- Main Door Opening Height: 295mm
- Main Door Opening Width: 610mm
- Weight: 52kg (approx)
- Heat Output: Wood - 7kw, Ethanol - 2.5kw
- Heat Area: Wood - 140sqm+

## FLUE DIMENSIONS

- Single Wall Flue: 219mm
- Double Wall Flue Casing: 240mm/280mm

## MATERIAL & FINISH

- Material: 5mm cold rolled steel
- Finish: Stove Bright® Satin Black 1990

## FUEL

- Hard Wood
- Ethanol (With Purchase of Planika Ethanol Burner and Plate)

## CLEARANCE FROM COMBUSTIBLE MATERIAL

(Timber, Plaster, Curtains, Timber Window Frames, Furniture Etc.)

**Rear:** 900mm

**Side:** 900mm

**Corner:** 900mm

**Opening:** 1500mm

## CLEARANCE FROM NON-COMBUSTIBLE MATERIAL

At owner and installers discretion.

## CLEARANCE FROM GLAZING

(Toughened Glass in Aluminium or Steel Frame)

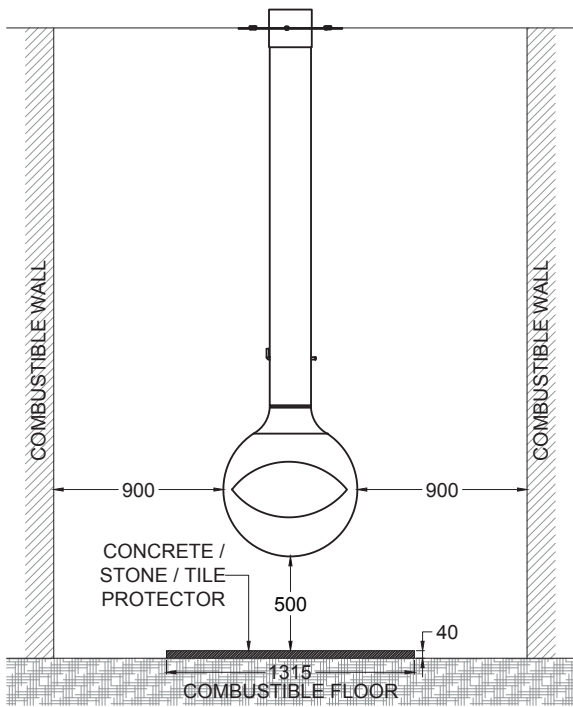
**Rear:** 500mm

**Side:** 500mm

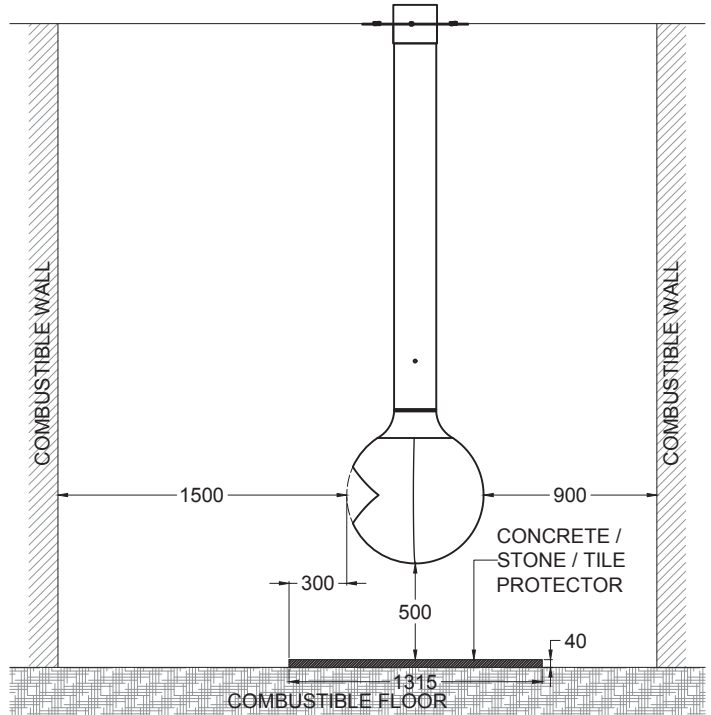
**Corner:** 500mm

## IMPORTANT

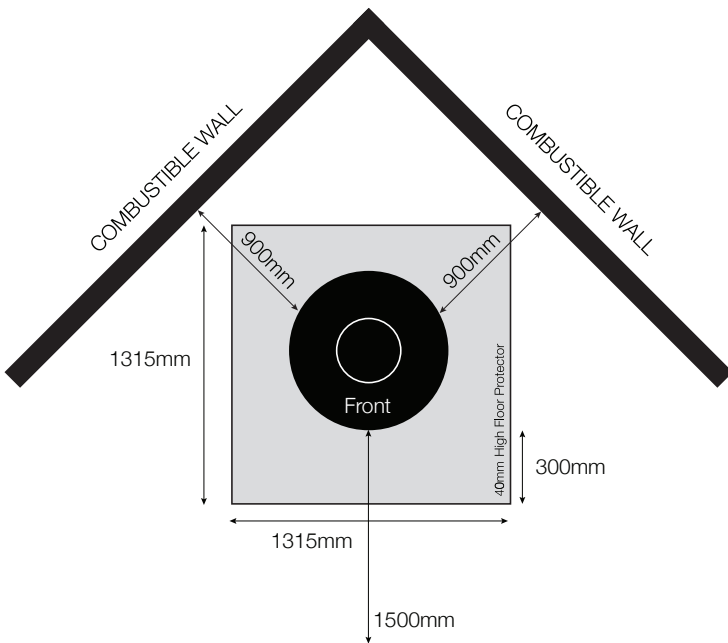
Appliance and Flue kit to be strictly installed in accordance to AS/NZS 2918-2018 and the appropriate requirements of the relevant codes. Installer to be a qualified licensed person.



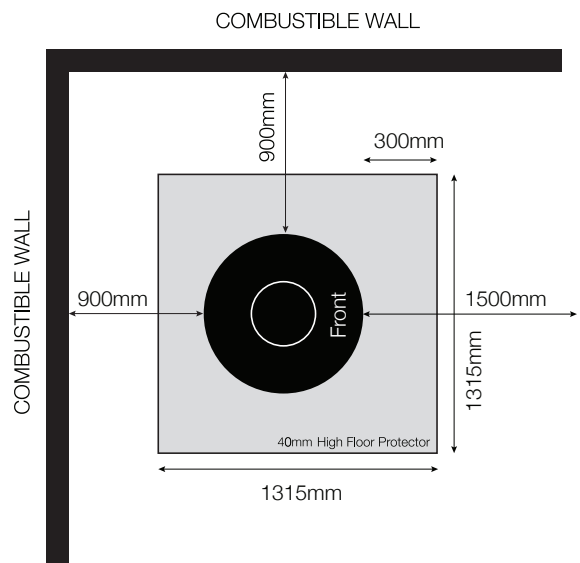
**FRONT VIEW**



**SIDE VIEW**

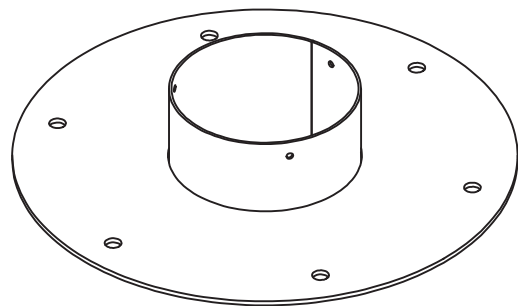
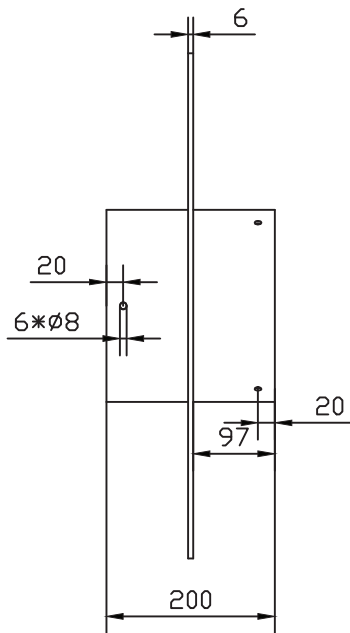
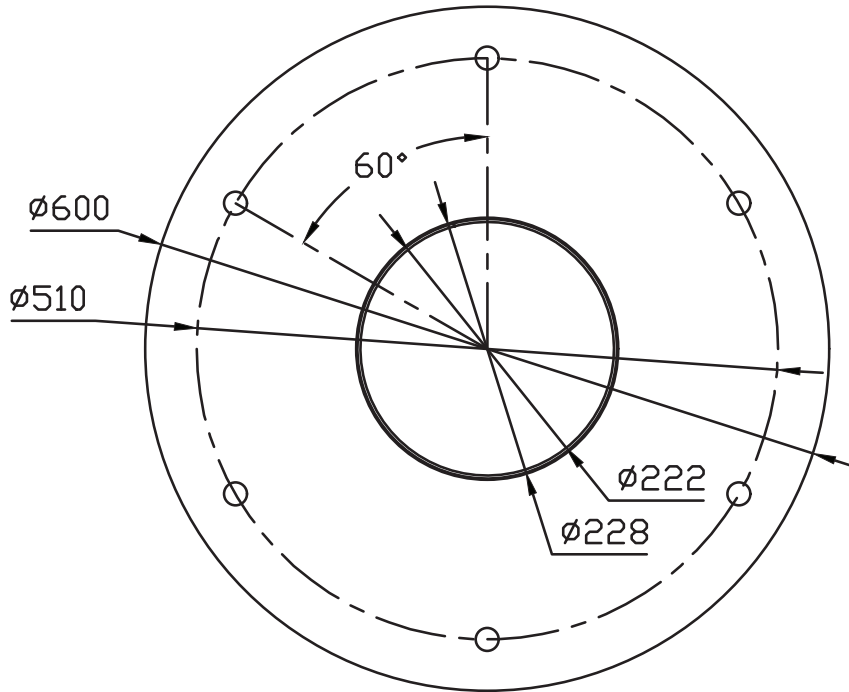


**TOP VIEW CORNER WALL**



**TOP VIEW STRAIGHT WALL**

# CEILING FLANGE TECHNICAL DRAWING WITH HOLE CENTRES



## STEP 1 : STEEL SUPPORT BRACKET OR STEEL BEAMS

Depending on your ceiling and roof structure, the ceiling flange will need to be fixed to a non combustible steel bracket (such as the one pictured below) or steel beams which will then be fixed to the engineered timber roof design. The ceiling flange cannot be fixed directly to timber joists or trusses. If you have a steel roof structure you can fix the flange directly as the steel structure is non combustible.

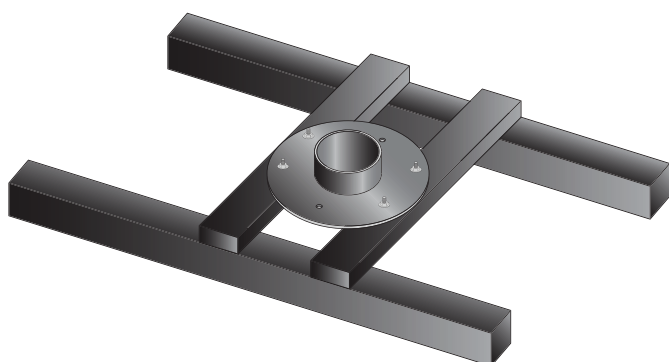
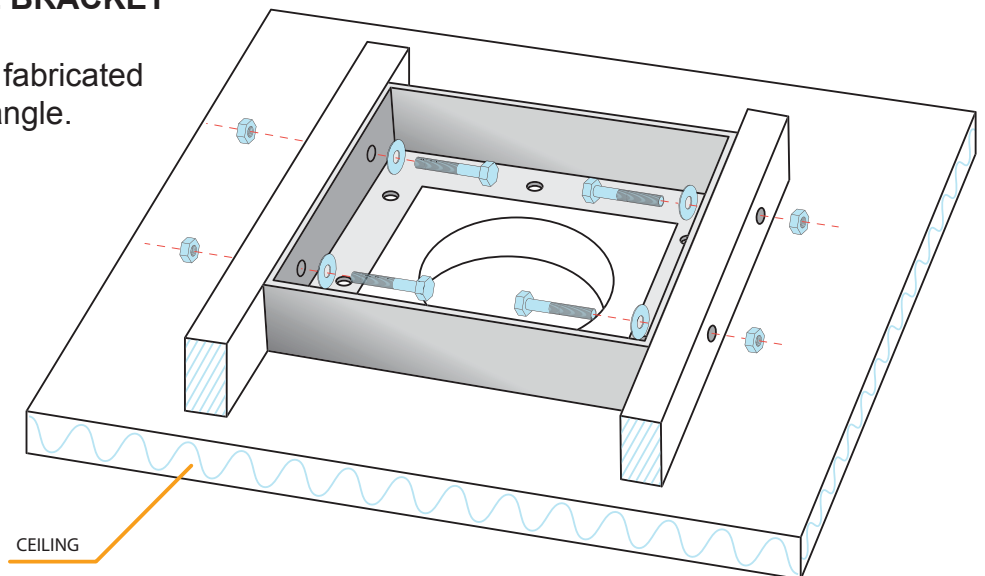
The steel bracket can be fixed to the timber ceiling joists using 4 x M16 x 100mm bolts with washers and nuts.

**NOTE: The steel angle bracket and steel beams do not come with the fireplace and will need to be fabricated on site by your registered installer.**

It is best to check with your builder/engineer to make sure your engineered roof structure can support the weight of the suspended fireplace and associated parts. For a standard install the total weight is approx 200kg. This is for the suspended fireplace with a standard flue kit of 3.5 metres.

### EXAMPLE STEEL ANGLE BRACKET

Steel angle bracket can be fabricated from 6mm x 100mm steel angle.

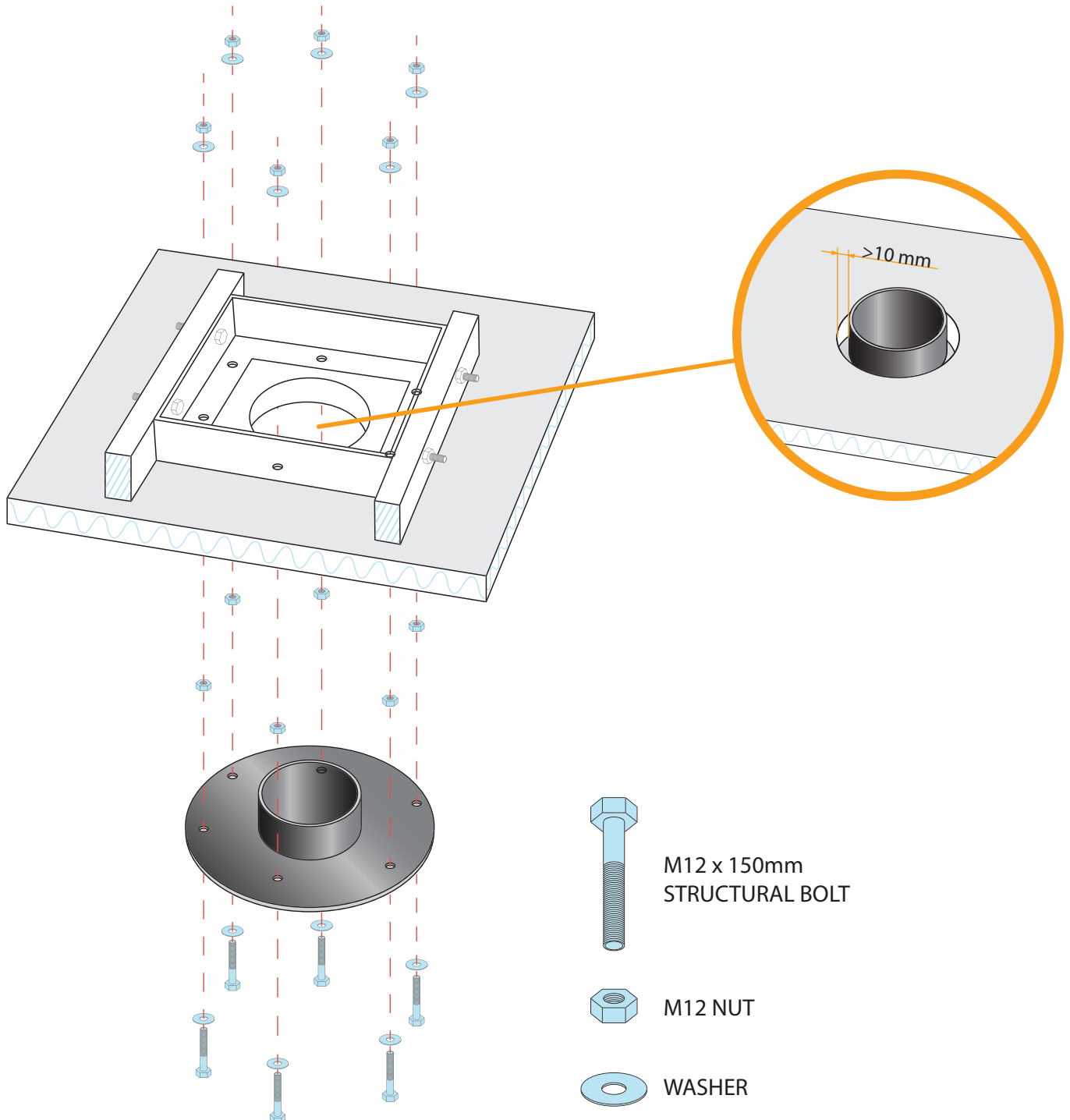


### EXAMPLE STEEL BEAMS

If there is no roof structure above to fabricate a bracket to, steel beams can be used across a span to secure the flange. This can be customised based on the installers recommendations and the aesthetic appearance.

## STEP 2 : FIXING THE CEILING FLANGE

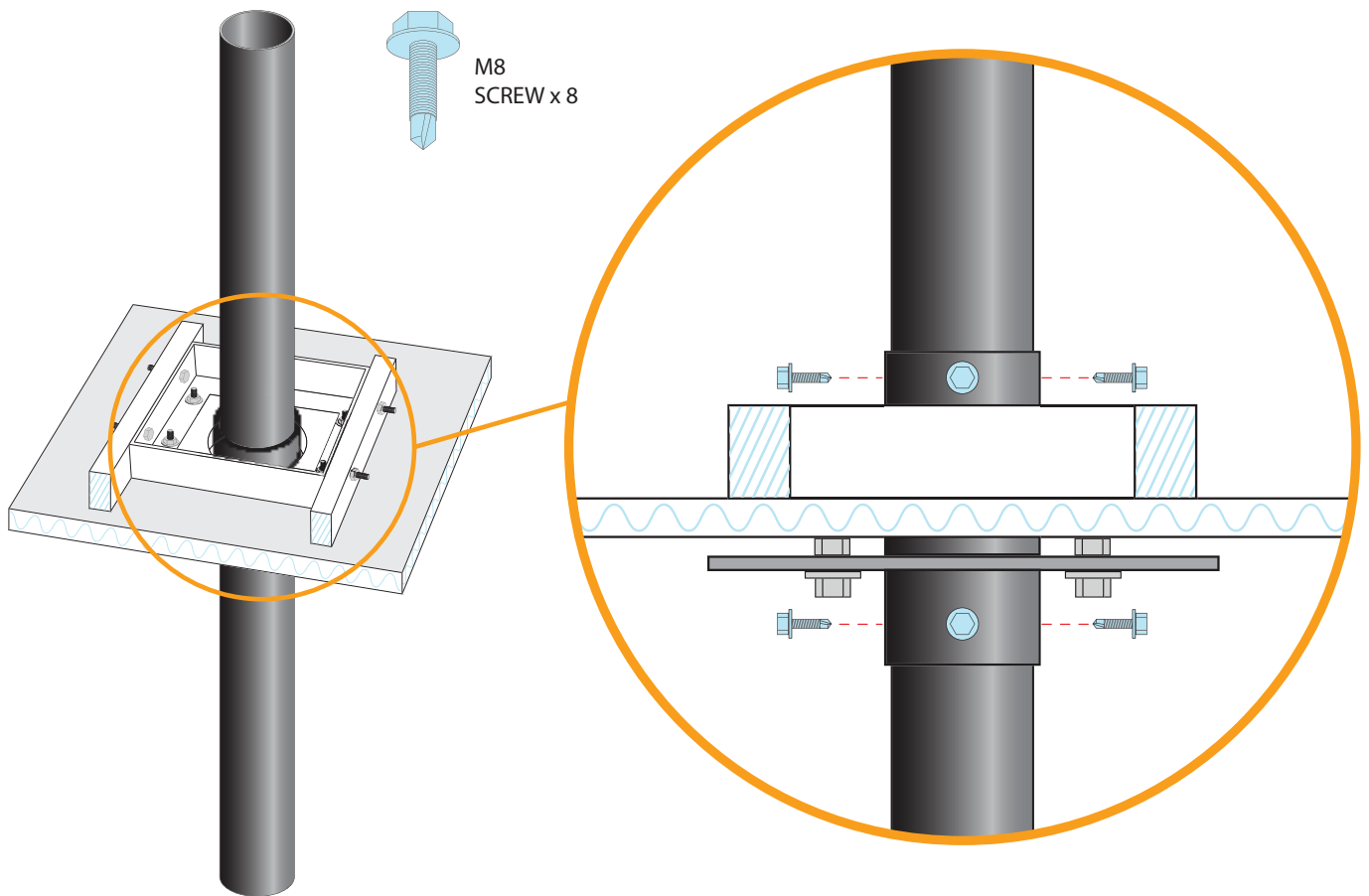
Fix the round ceiling flange to steel angle bracket or steel beams from below the ceiling using the 6 x M12 bolts supplied. If fixing to a gyprock ceiling, add one nut/washer on each bolt below the ceiling on the top side of flange to create a 15mm space between the flange and ceiling plaster and one nut/washer above ceiling plaster on top of the steel bracket/beam. The hole in plaster ceiling needs to be 10mm larger than flange spigot circumference to allow for airflow.





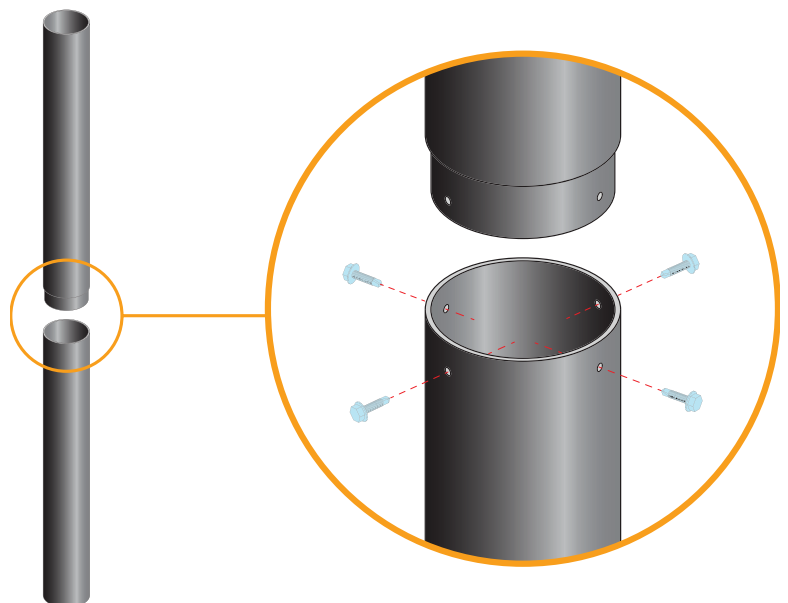
### STEP 3 : SINGLE WALL FLUE CEILING FLANGE CONNECTION

Once the ceiling flange is secured. Proceed to connect the single wall flue sections to the flange below and above the ceiling. Assure one full length section of single flue proceeds through the ceiling flange spigot, fixing at the spigot with 4 x M8 screws below ceiling and 4 x M8 screws above the ceiling as pictured below.



### STEP 4 : SINGLE FLUE CONNECTIONS

Connect single flue sections with 4 x M8 screws at each connection point.

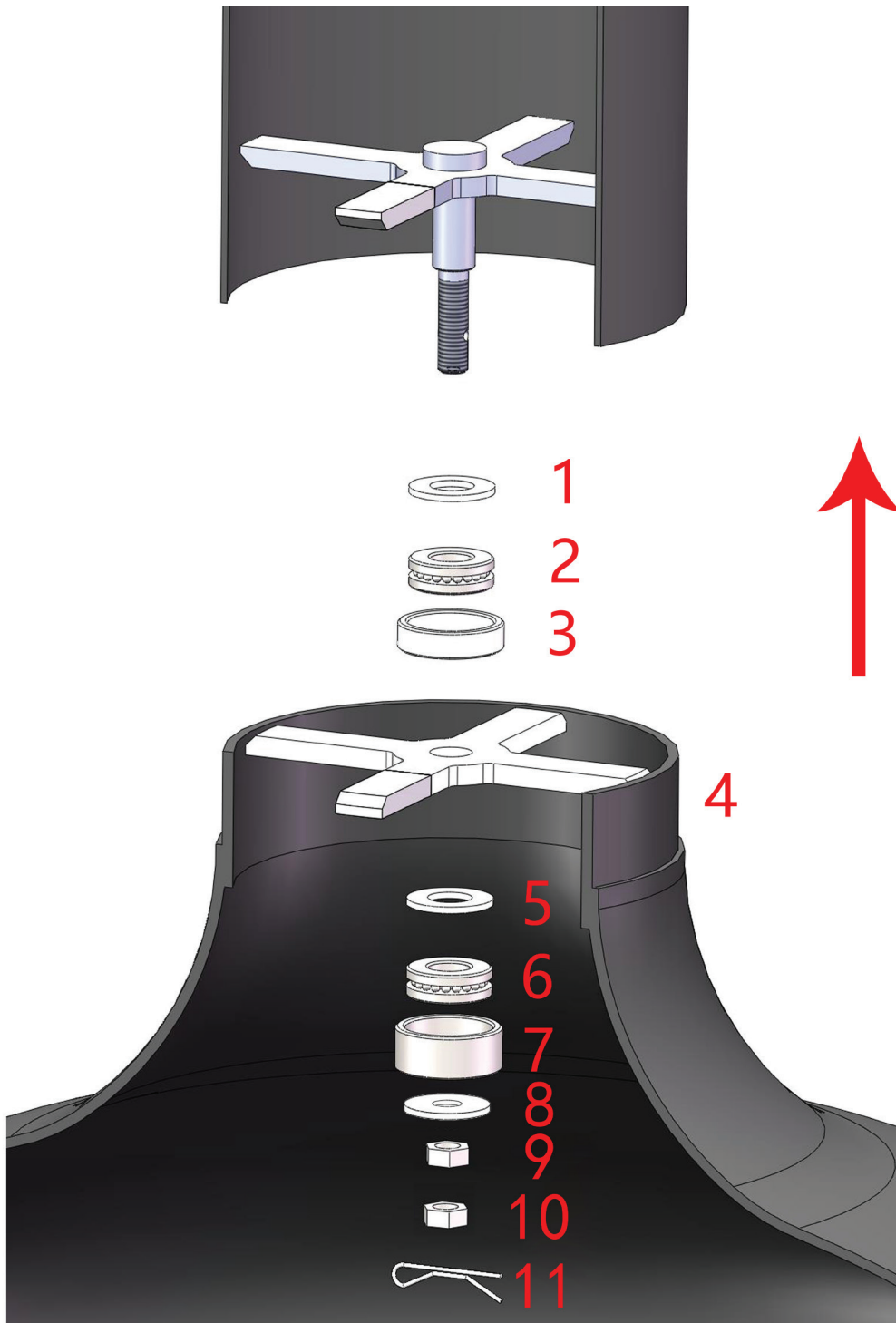


## STEP 5 : FIXING THE FIRE BOX

Connect firebox to last section of flue using the 360 degree rotation system as per the diagram below.

Make sure the firebox is held up flush and level with last section of flue, then tighten the internal bolts so no large gap is visible with top of firebox and flue.

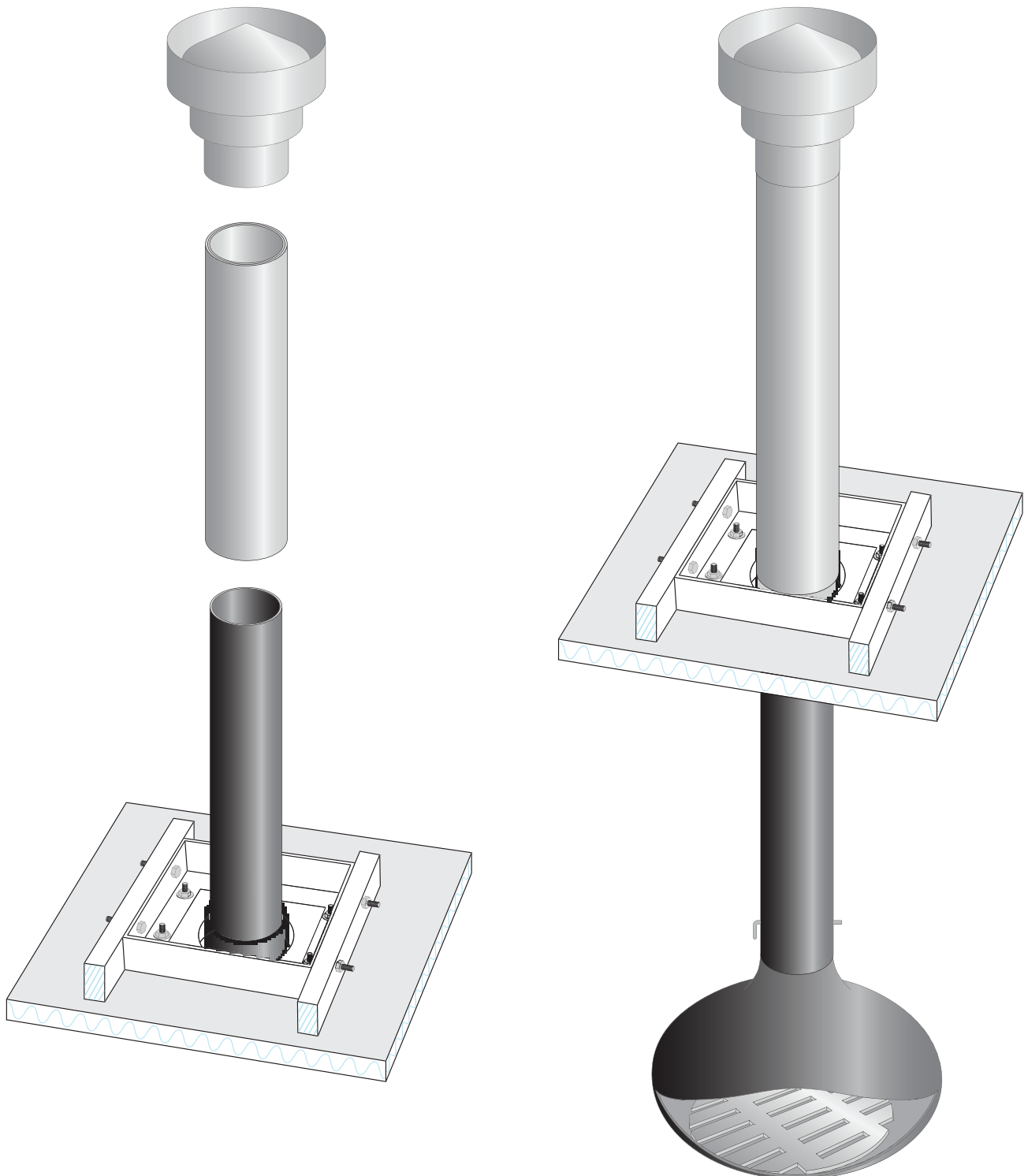
**NOTE: Do not completely unwrap the firebox until it is fixed to the flue. This will help avoid scratches while fixing.**



## STEP 6 : DOUBLE WALL FLUE CASING AND RAIN HAT

Slide 1m double wall flue casing sections over each section of single flue above ceiling. 50mm clearance needs to be maintained off the double wall flue casing in the ceiling from combustible ceiling material. So essentially 330mm of space is required in the ceiling cavity for the fireplace to be installed correctly. If the termination point above the roof is higher than 1.5 metres, the flue system will need some form of bracing. (Bracing not included in flue kit).

Fix rain hat to top of double wall flue casing at termination point. Seal, membrane all flue roof penetration points as per the standard.





9 Gwynne Street Cremorne VIC 3121  
1300 911 558  
[www.zenfireplaces.com.au](http://www.zenfireplaces.com.au)

Zen Suspended Fireplaces are tested and accredited to  
AS/NZS Standards by accredited laboratory:



Australian Solid Fuel Testing Pty Ltd  
3 Garden Street, Morwell, Victoria, Australia 3840

Australian Solid Fuel Testing Pty Ltd is an accredited laboratory by the National Association of Testing Authorities (NATA accreditation No. 20042) for compliance with ISO/IEC 17025. ASFT performs compliance testing of Solid Fuel Appliances to the relevant Australian/New Zealand standards under this Accreditation.