
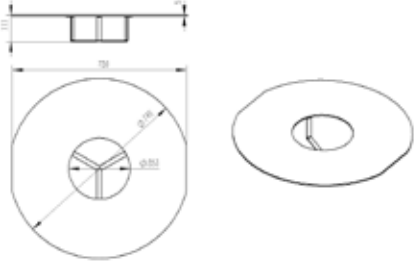


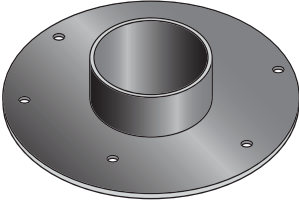



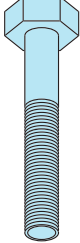
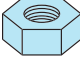



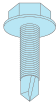
INSTALLATION MANUAL

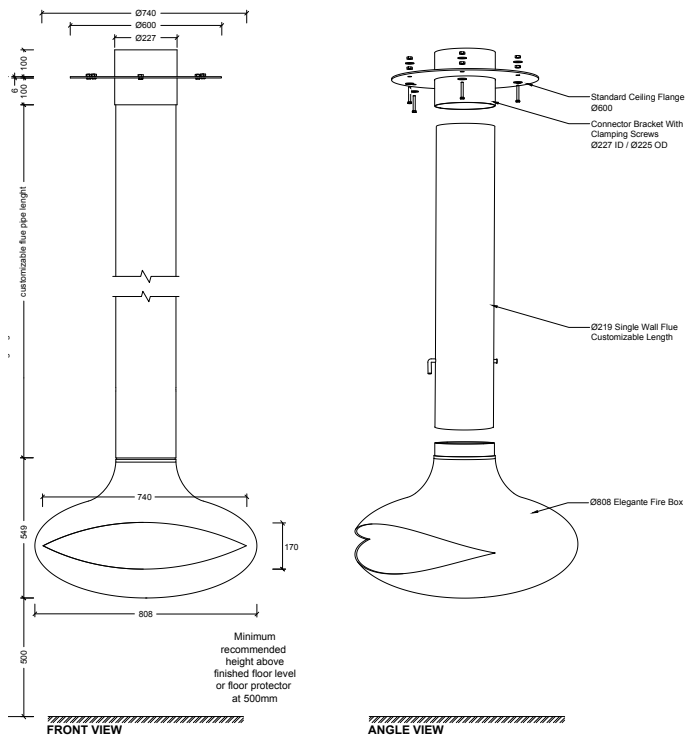
ZEN ELEGANTE BIOETHANOL SUSPENDED FIREPLACE



9 Gwynne Street Cremorne VIC 3121
1300 911 558
www.zenfireplaces.com.au

<p>FIREBOX</p>		<p>X1</p>
<p>ETHANOL BURNER PLATE</p>		<p>X1</p>
<p>PLANIKA ETHANOL BURNER (SEPARATE)</p>		<p>X1</p>
<p>SINGLE WALL FLUE PIPE</p>		<p>2 metres (standard)</p>
<p>CEILING FLANGE</p>		<p>X1</p>

<p>360 DEGREE ROTATION SYSTEM & FIXINGS</p>		<p>X1</p>
<p>M18 X 150MM HEX BOLT</p>		<p>x6</p>
<p>M18 NUT</p>		<p>x12</p>
<p>M18 WASHER</p>		<p>x12</p>
<p>M14 NUT</p>		<p>X2</p>
<p>M14 WASHER</p>		<p>X1</p>
<p>M8 SCREW</p>		<p>X20</p>



The Zen Elegante Suspended Ethanol Fireplace is meticulously hand made by skilled metal craftsman and designed and tested in Australia.

We seamlessly manufacture our suspended fireplaces with precision. Moulding 4mm thick sheets of cold rolled steel to form our unique designs.

The Zen Elegante Suspended Ethanol Fireplace is a beautiful architectural hanging sculpture. Custom designed to look like no other suspended fireplace on the market, this unique suspended fireplace is sleek and slender with a firebox shape like no other. With the addition of the Planika Rondo Bio-Ethanol Burner, the Zen Elegante is a true show stopper, providing ambient heat output of 2.5kw for 6.5 hours. No need to worry about wood or smoke, the Planika Bio-Ethanol Burner is eco friendly and burns clean bio fuel within the Zen Elegante Suspended masterpiece.

SUSPENDED FIREPLACE DIMENSIONS

- Overall Height: 549mm
- Overall Diameter: 808mm
- Usable Firebox Height: 240mm
- Usable Firebox Width: 550-783mm
- Usable Firebox Depth: 550-783mm
- Usable Firebox Volume: 70.84 litres
- Firebox material: Fully welded 4mm steel
- Main Door Opening Height: 170mm
- Main Door Opening Width: 740mm
- Weight: 50kg (approx)

FLUE DIMENSIONS

- Single Wall Flue: 219mm

MATERIAL & FINISH

- Material: 4mm cold rolled steel
- Finish: Stove Bright® Satin Black 1990

PLANIKA BIOETHANOL BURNER

HEAT OUTPUT

- 2.5 kW / 8519 BTU/h
- min. 25 m³ / 880 ft³
- 6.5 h

FUEL TYPE

- Bio-ethanol
- 3.0 L / [US] 0.8 gal / [UK] 0.66 gal

WEIGHT (KG)

- 7.0kg / 15.4 lbs

MATERIAL & FINISH

- Stainless Steel Burner

FEATURES

- Commerce Technology: The burner is filled with highly absorbent ceramic fibres, which keep the fuel from spilling. Thanks to that solution, there is no risk of leaks even in case the device falls over.
- Portable unit (independently of Zen Elegante).
- For outdoor / indoor use / eco-friendly

CLEARANCE REQUIREMENTS

- There are no recommended clearance requirements from combustible materials for the Planika Rondo Commerce Bioethanol Burner within the Zen Suspended Fireplace.
- Commonsense should be used when installing the fireplace near combustible materials with adequate space from the mouth of the Suspended Fireplace.

STEP 1 : STEEL SUPPORT BRACKET OR STEEL BEAMS

Depending on your ceiling and roof structure, the ceiling flange will need to be fixed to a non combustible steel bracket (such as the one pictured below) or steel beams which will then be fixed to the engineered timber roof design. The ceiling flange cannot be fixed directly to timber joists or trusses. If you have a steel roof structure you can fix the flange directly as the steel structure is non combustible.

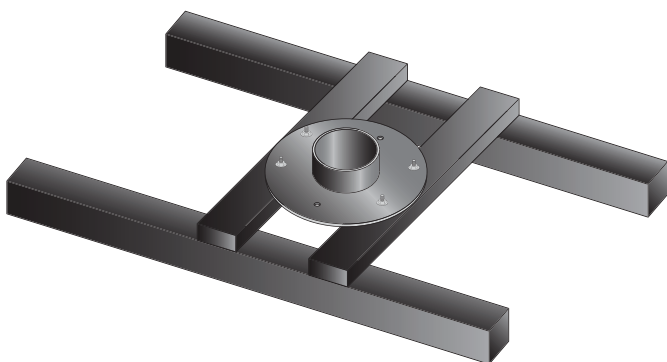
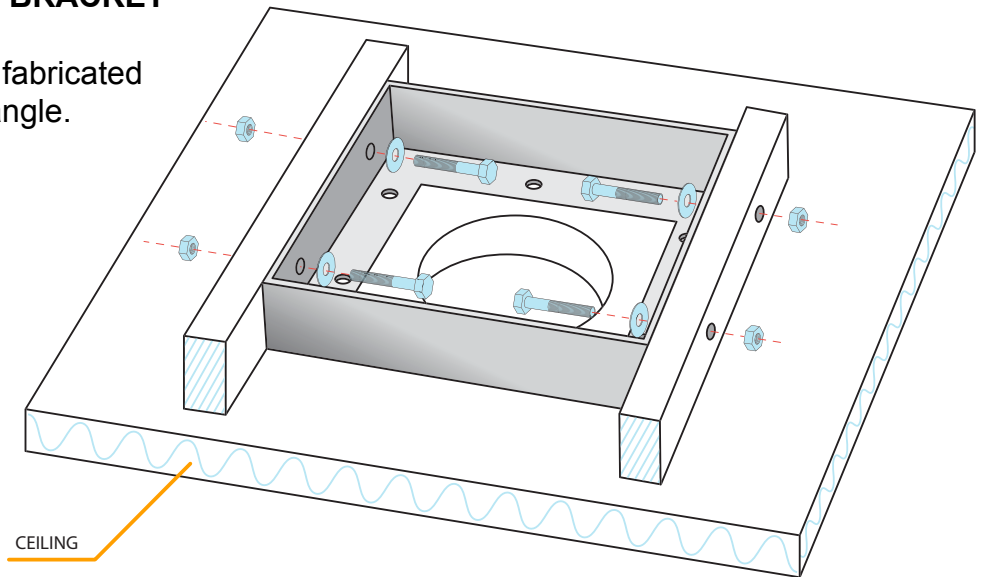
The steel bracket can be fixed to the timber ceiling joists using 4 x M16 x 100mm bolts with washers and nuts.

NOTE: The steel angle bracket and steel beams do not come with the fireplace and will need to be fabricated on site by your registered installer.

It is best to check with your builder/engineer to make sure your engineered roof structure can support the weight of the suspended fireplace and associated parts. For a standard install the total weight is approx 200kg. This is for the suspended fireplace with a standard flue kit of 3.5 metres.

EXAMPLE STEEL ANGLE BRACKET

Steel angle bracket can be fabricated from 6mm x 100mm steel angle.

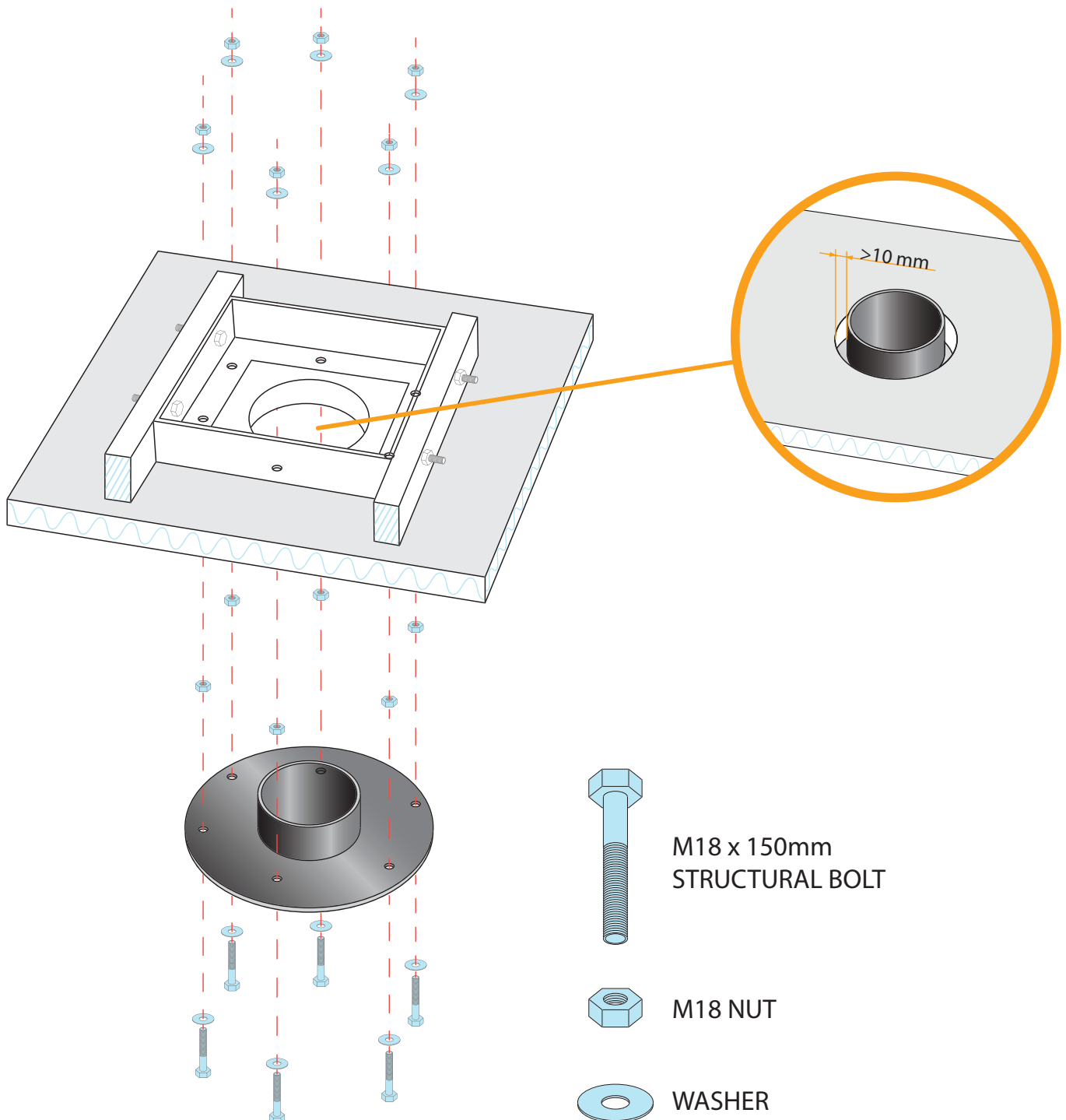


EXAMPLE STEEL BEAMS

If there is no roof structure above to fabricate a bracket to, steel beams can be used across a span to secure the flange. This can be customised based on the installers recommendations and the aesthetic appearance.

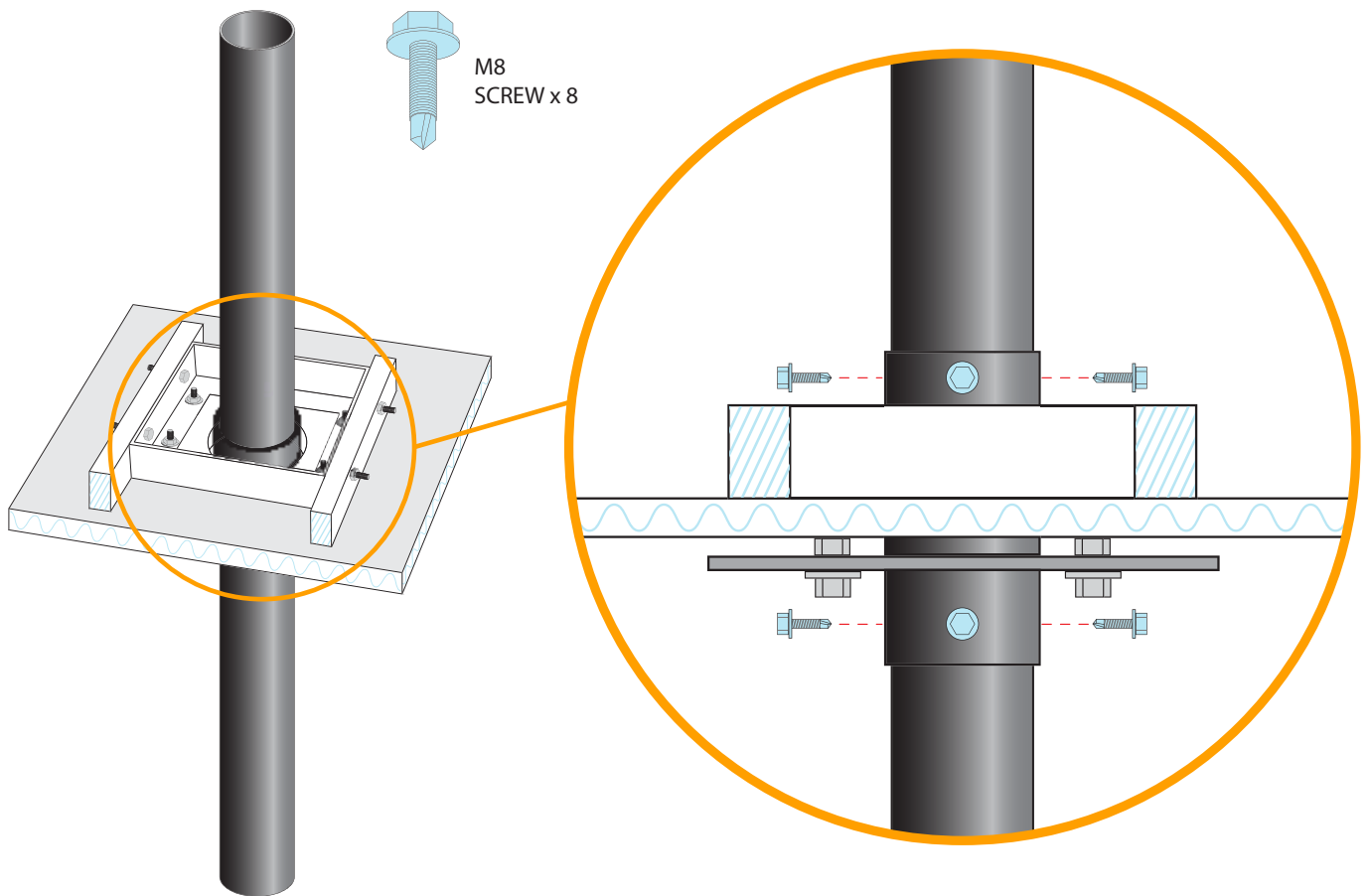
STEP 2 : FIXING THE CEILING FLANGE

Fix the round ceiling flange to steel angle bracket or steel beams from below the ceiling using the 6 x M18 bolts supplied. If fixing to a gyprock ceiling, add one nut/washer on each bolt below the ceiling on the top side of flange to create a 15mm space between the flange and ceiling plaster and one nut/washer above ceiling plaster on top of the steel bracket/beam. The hole in plaster ceiling needs to be 10mm larger than flange spigot circumference to allow for airflow.



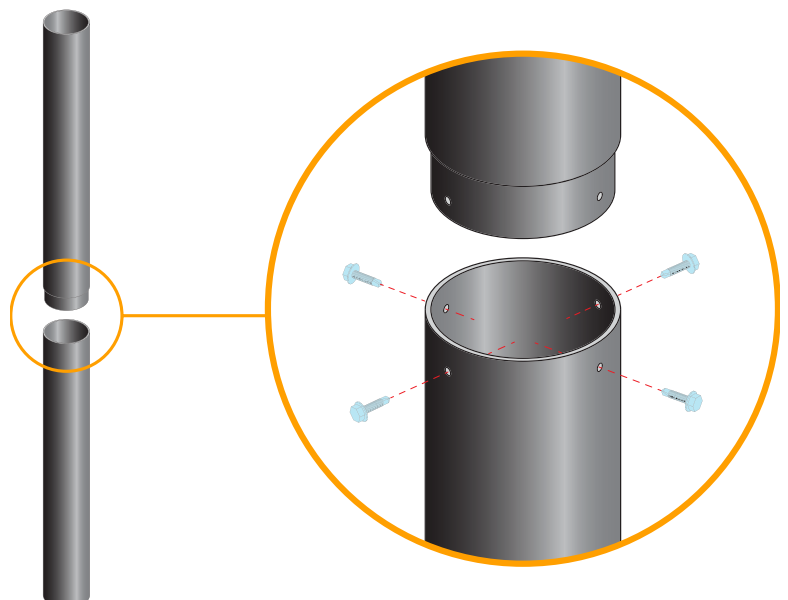
STEP 3 : SINGLE WALL FLUE CEILING FLANGE CONNECTION

Once the ceiling flange is secured. Proceed to connect the single wall flue sections to the flange below and above the ceiling. Assure one full length section of single flue proceeds through the ceiling flange spigot, fixing at the spigot with 4 x M8 screws below ceiling and 4 x M8 screws above the ceiling as pictured below.



STEP 4 : SINGLE FLUE CONNECTIONS

Connect single flue sections with 4 x M8 screws at each connection point.

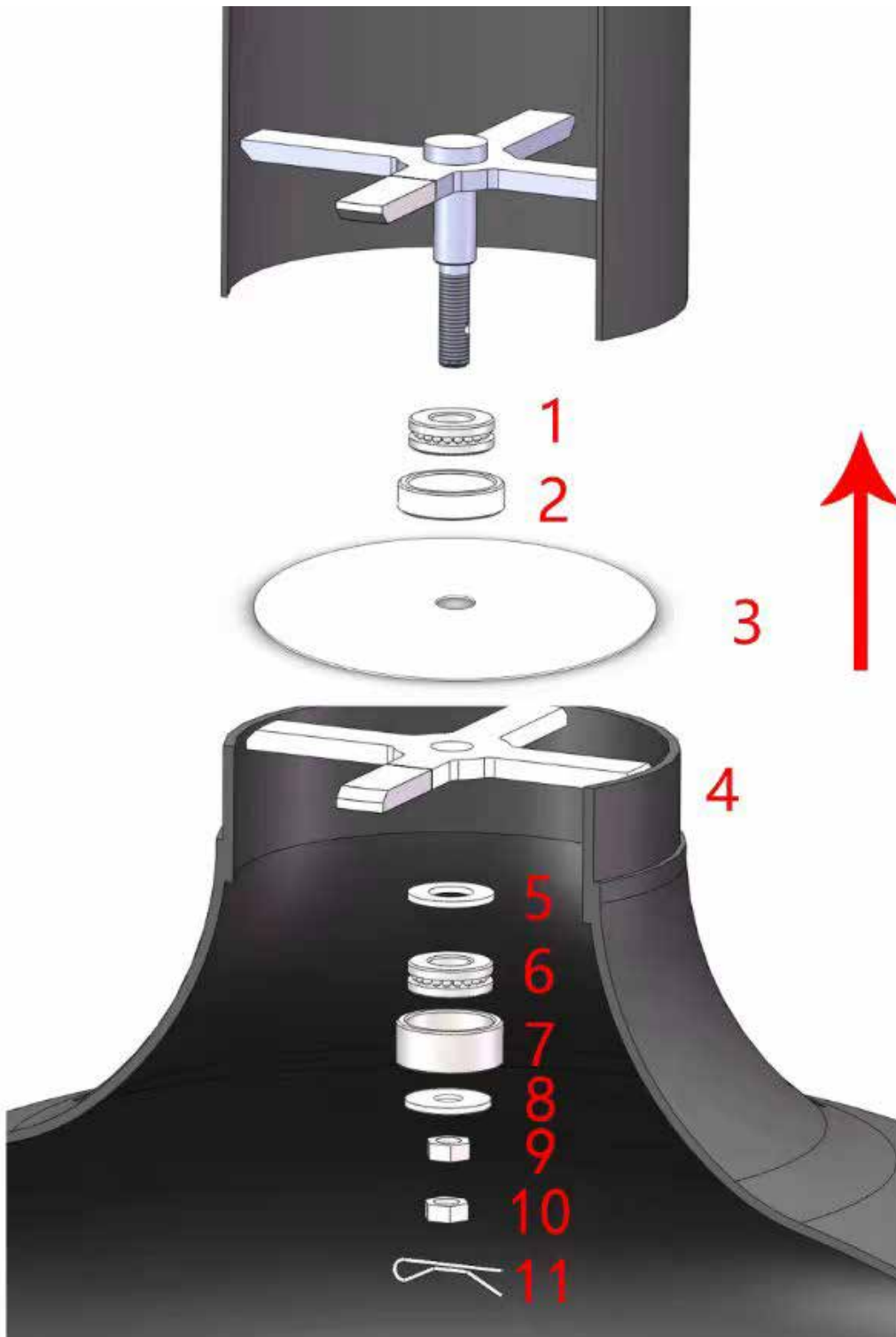


STEP 5 : FIXING THE FIRE BOX

Connect firebox to last section of flue using the 360 degree rotation system as per the diagram below.

Make sure the firebox is held up flush and level with last section of flue, then tighten the internal bolts so no large gap is visible with top of firebox and flue.

NOTE: Do not completely unwrap the firebox until it is fixed to the flue. This will help avoid scratches while fixing.

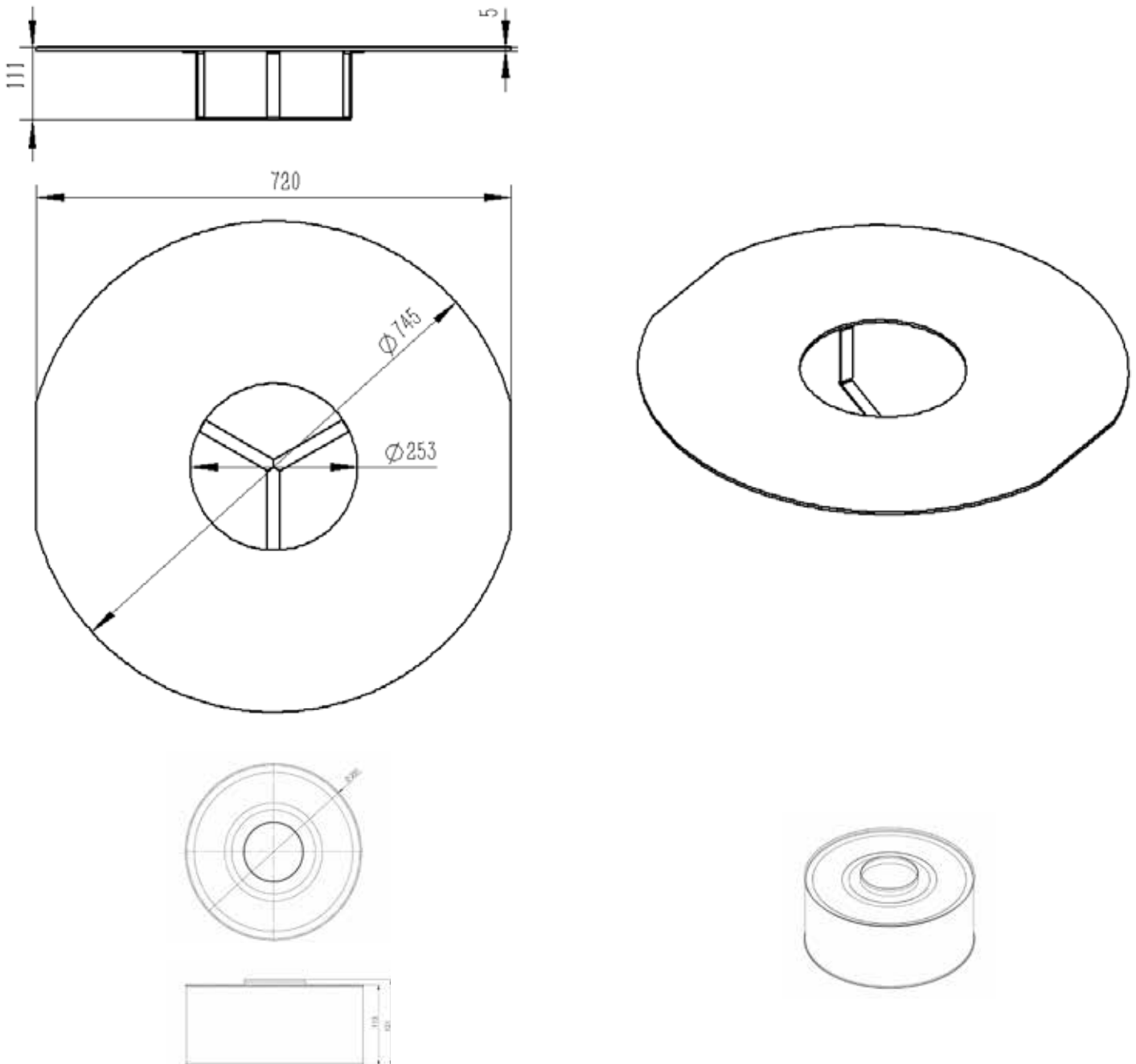


STEP 6 : INSTALLING THE PLANIKA BIOETHANOL BURNER

The last step is to install the Planika Bioethanol Burner into the Suspended Fireplace. The Planika Burner will arrive separately to the main fire boxes. The Suspended Fireplace will already have the Steel Ethanol Burner Plate inside of it, simply place the Planika Burner in the round space provided inside the Suspended Firebox.

NOTE: Please remove the Planika Burner out of the firebox to refill with Bioethanol Fuel. Never try and refill the burner while it is in the Suspended Fireplace or while there is an active flame, doing so can cause serious injury or death.

NOTE: Do not completely unwrap the firebox until it is fixed to the flue. This will help avoid scratches while fixing.





WARNING!

- Keep this instruction manual throughout the lifetime of the device;
- You are not allowed to fill the fuel tank and start the device before having read the instruction manual;
- Device must be kept out of reach of children, animals and unauthorized persons;
- No flammable items should be placed in direct contact and within a radius of 1 m / 3.28 ft around the device. Do not place near curtains, net curtains, etc;
- Fixed unit's weight – 19 lbs (8,5 kg);
- The construction where the fireplace will be mounted needs to have bearing capacity of at least 29 lbs (13,0 kg);
- It is obligatory to have a carbon-dioxide (CO₂) or dry chemical extinguisher placed nearby the device;
- If the device is installed indoors, proper ventilation must be provided. The whole air in the room must be exchanged once every hour. This is not applicable in case of outdoor installation;
- It is forbidden to put any products on the burner;
- Do not install the device on a mobile object (eg. caravan, yacht).
- The glass elements must not be exposed to sudden changes in temperature (risk of breakage).
- Please pay special attention when refuelling – spilling the fuel directly on the product may damage the housing.

