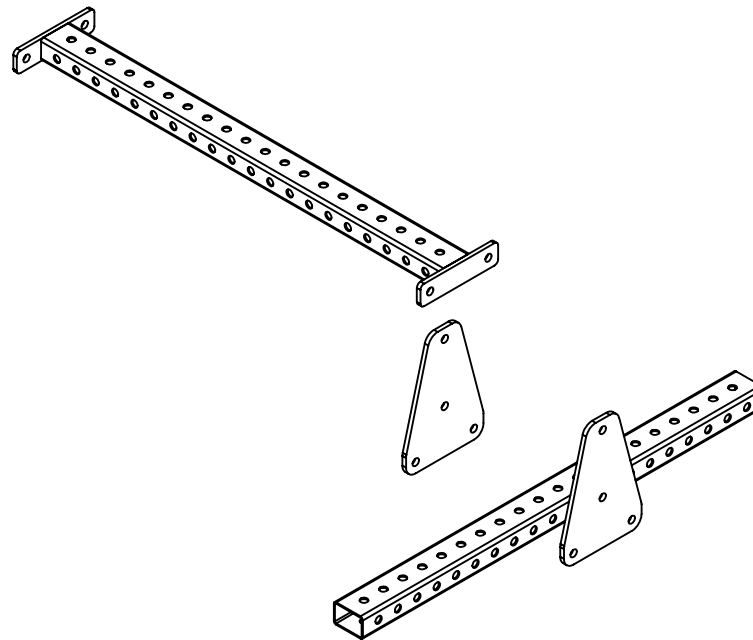
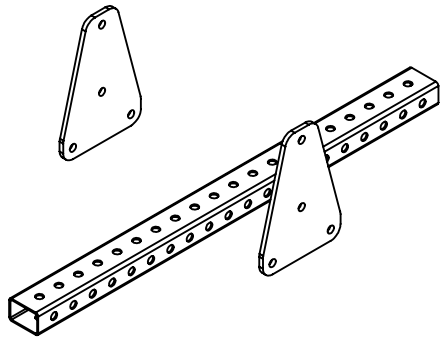


2

1



B

B

A

A



**PROPRIETARY AND CONFIDENTIAL**

THE INFORMATION CONTAINED  
 IN THIS DRAWING IS THE  
 SOLE PROPERTY OF XTC  
 FITNESS. ANY REPRODUCTION  
 IN PART OR AS A WHOLE  
 WITHOUT THE WRITTEN  
 PERMISSION OF  
 XTC FITNESS IS PROHIBITED.

UNLESS OTHERWISE SPECIFIED

DIMENSIONS ARE IN INCHES  
 TOLERANCES  $\pm 0.030$   
 FRACTIONAL  $\pm 0.030$   
 ANGULAR BEND  $\pm 1.0^\circ$   
 TWO PLACE DECIMAL  $\pm 0.030$   
 THREE PLACE DECIMAL  $\pm 0.015$

DRAWN BY

DEVON

APPR. BY

DANIEL

FINISH

MASS

MATERIAL

PART NUMBER

XS-S72-V2

PART NAME

SCALE

1:32

DATE DRAWN

2021-02-24

REV

2

1