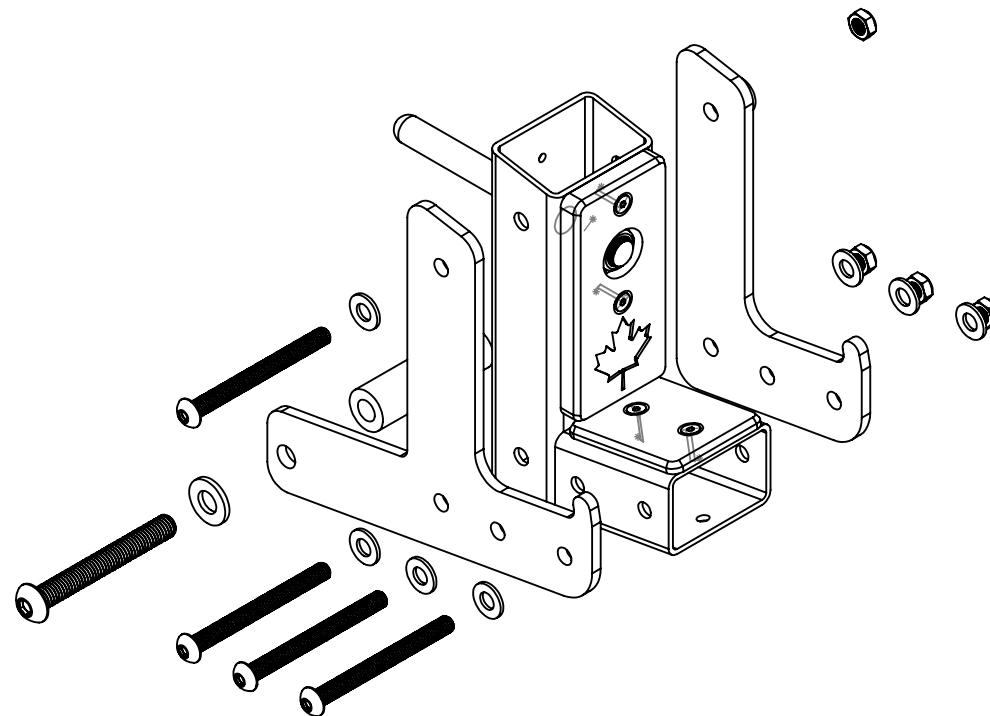


2

1

B

B



A

A



PROPRIETARY AND CONFIDENTIAL

THE INFORMATION CONTAINED IN THIS DRAWING IS THE SOLE PROPERTY OF XTC FITNESS. ANY REPRODUCTION IN PART OR AS A WHOLE WITHOUT THE WRITTEN PERMISSION OF XTC FITNESS IS PROHIBITED.

UNLESS OTHERWISE SPECIFIED

DIMENSIONS ARE IN INCHES

TOLERANCES ± 0.030

FRACTIONAL ± 0.030

ANGULAR BEND $\pm 1.0^\circ$

TWO PLACE DECIMAL ± 0.030

THREE PLACE DECIMAL ± 0.015

DRAWN BY	DEVON
APPR. BY	DANIEL
FINISH	
MASS	
MATERIAL	

PART NUMBER		
XS-AJ3-V2		
PART NAME		
SCALE	DATE DRAWN	REV
1:4	2021-02-24	

2

1