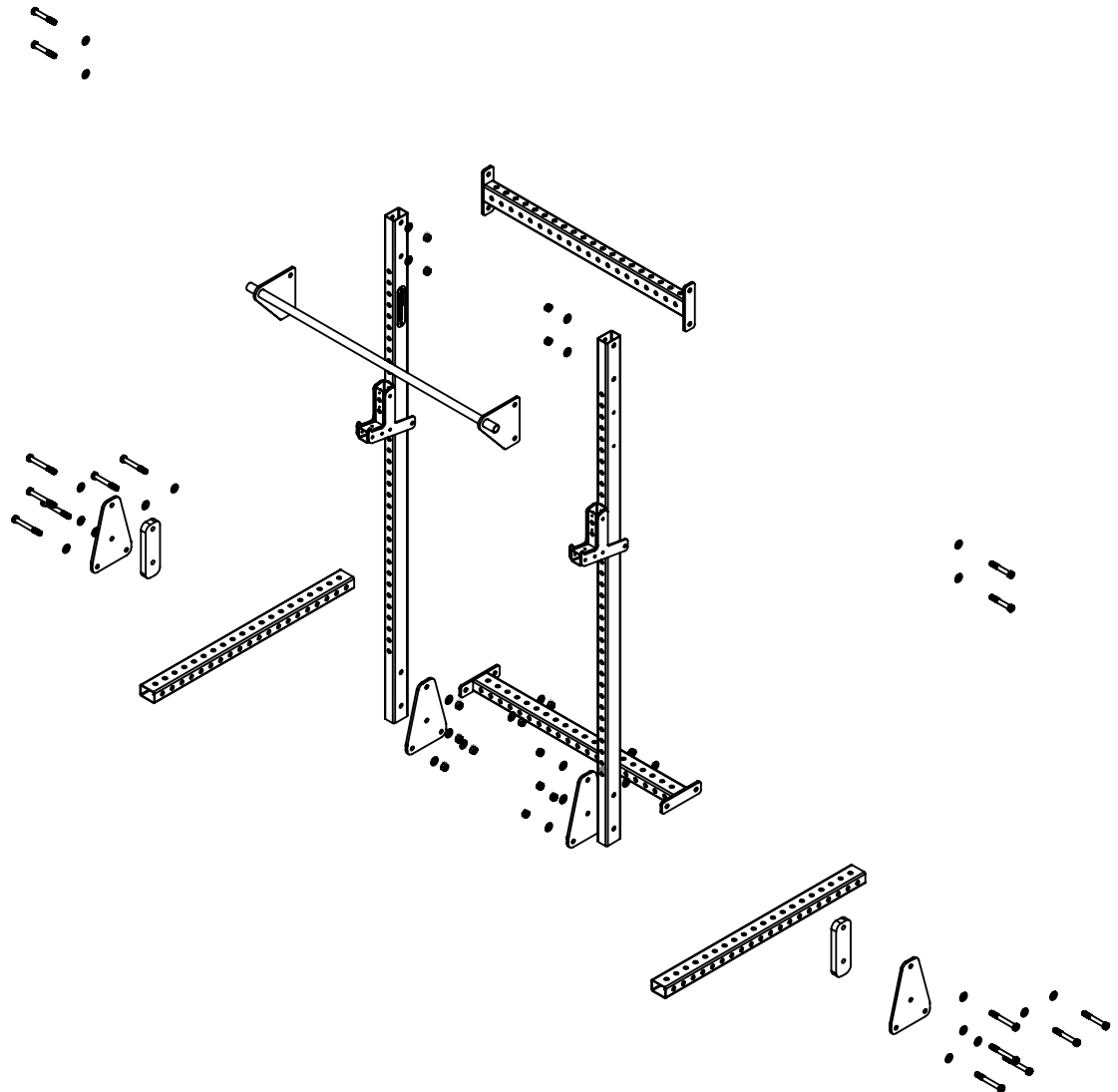


2

1

B

B



A

A



**PROPRIETARY AND CONFIDENTIAL**

THE INFORMATION CONTAINED IN THIS DRAWING IS THE SOLE PROPERTY OF XTC FITNESS. ANY REPRODUCTION IN PART OR AS A WHOLE WITHOUT THE WRITTEN PERMISSION OF XTC FITNESS IS PROHIBITED.

UNLESS OTHERWISE SPECIFIED

DIMENSIONS ARE IN INCHES

TOLERANCES  $\pm 0.030$

FRACTIONAL  $\pm 0.030$

ANGULAR BEND  $\pm 1.0^\circ$

TWO PLACE DECIMAL  $\pm 0.030$

THREE PLACE DECIMAL  $\pm 0.015$

DRAWN BY	DEVON
APPR. BY	DANIEL
FINISH	
MASS	
MATERIAL	

PART NUMBER		
ATHLETIC SERIES S92 - SINGLE -		
PART NAME		
SCALE	DATE DRAWN	REV
1:48	2021-03-01	

2

1