

peerless-AV[®]

DesignerSeries[™]
Wall Mounts



DesignerSeries™ Ultra Slim Wall Mounts

If you're looking for a mount that is ultra slim, sleek, easy to install and adjust to effortlessly find the perfect viewing angle, look no further - Peerless-AV® has created it. The DesignerSeries™ wall mounts are some of the thinnest wall mounts on the market and offer the most versatile features and mounting options that benefit both the installer and end-user.

This series of mounts has passed the approval process for Underwriters Laboratories (UL), promoting safe living and working environments by the application of safety science and hazard-based safety engineering. DesignerSeries™ mounts have been submitted to rigorous safety testing, including tests for strength and "pull out" to a minimum of four times the stated load capacity.

Peerless-AV® mounts are also RoHS compliant, which stands for the Restriction of Hazardous Substances. Through the restriction of six hazardous materials in electrical and electronic products, Peerless-AV provides a safe environment for the consumer.



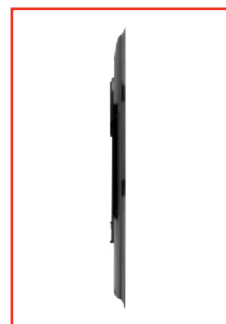
Articulating Wall Mount Models come in color packaging

Key Features and Benefits



Tool-Less Wall Plate Covers

Tool-less wall plate covers hide all hardware for a clean, finished look



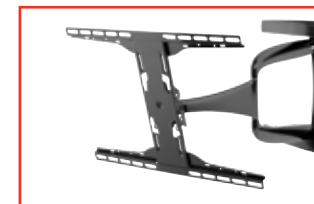
Ultra-Low Profile Design

Positions display close to the wall for a sleek mounting installation



Post-Installation Leveling

±1/2" of post-installation leveling is included with Tilting and Articulating Mounts



I-Shaped Adaptor Plate Design

Helps avoid blocking connections on back of display



Locking Tilt

Lock the display at any angle with the ratcheting handle

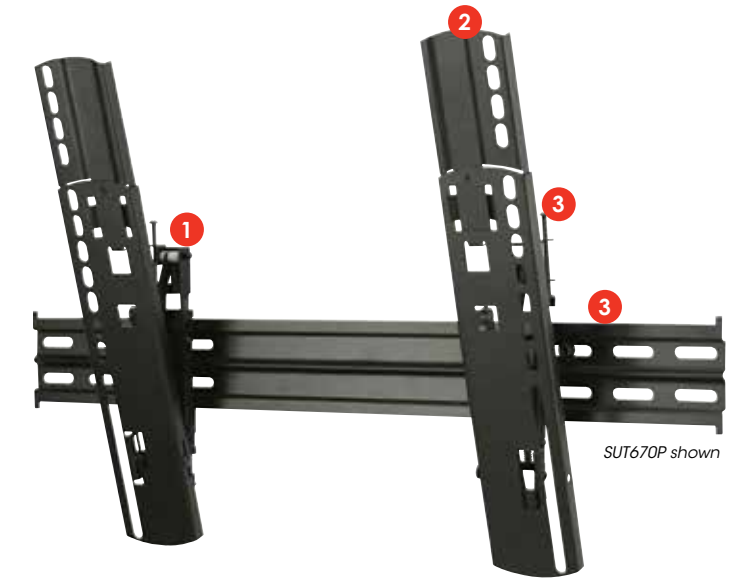


Integrated Cable Management

Protects, contains and conceals cables for a clean, professional installation

DesignerSeries™ Ultra Slim Flat & Tilt Wall Mounts

The DesignerSeries™ Ultra Slim Flat & Tilt Wall Mounts offer a sleek, slim design, virtually disappearing behind the ultra-thin display. These mounts provide simple and secure installation, exceptional functionality, and are able to mount a wide range of display sizes.



1. ONE-TOUCH™ TILT
Offers ±10° of viewing angle adjustment

2. ADAPTOR EXTENSIONS
Attach for larger VESA® mounting patterns or may be removed to accommodate bump-outs

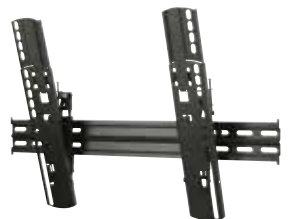
3. HORIZONTAL & VERTICAL ADJUSTMENT
Easily slide the display horizontally along the wall plate and raise or lower the display up to 1" after installation*

* Tilt Wall Mount Models Only

FLAT



TILT



SUF640P		SUF650P		SUF660P		SUF641		SUF651		SUF661		SUT646P		SUT670P	
Display Size 37" to 50" Ultra-thin displays less than 3" (76mm) deep		Display Size 37" to 75" Ultra-thin displays less than 3" (76mm) deep		Display Size 40" to 80" Ultra-thin displays less than 3" (76mm) deep		Display Size 24" to 50" Ultra-thin displays less than 3" (76mm) deep		Display Size 37" to 50" Ultra-thin displays less than 3" (76mm) deep		Display Size 40" to 80" Ultra-thin displays less than 3" (76mm) deep		Display Size 32" to 50"		Display Size 32" to 80"	
Max Load 150lb (68kg)		Max Load 150lb (68kg)		Max Load 150lb (68kg)		Max Load 150lb (68kg)		Max Load 150lb (68kg)		Max Load 150lb (68kg)		Max Load 70lb (32kg)		Max Load 125lb (57kg)	
Mounting Pattern 450 x 402mm (17.73"W x 15.82"H)		Mounting Pattern 742 x 449mm (29.23"W x 17.67"H)		Mounting Pattern 825 x 449mm (32.48"W x 17.67"H)		VESA® Pattern 75 to 425mm		VESA® Pattern 150 to 400 and 550 to 700mm		VESA® Pattern 150 to 400 and 550 to 800mm		Mounting Pattern 485 x 307-411mm (19.10"W x 12.08"-16.17"H)		Mounting Pattern 685 x 307-411mm (26.97"W x 12.08"-16.17"H)	
Distance From Wall 0.33" (8mm)		Distance From Wall 0.33" (8mm)		Distance From Wall 0.33" (8mm)		Distance From Wall 0.19" (5mm)		Distance From Wall 0.19" (5mm)		Distance From Wall 0.19" (5mm)		Distance From Wall 1.00"-4.30" (25-109mm)		Distance From Wall 1.00"-4.30" (25-109mm)	
Tilt -		Tilt -		Tilt -		Tilt -		Tilt -		Tilt -		Tilt ±10°		Tilt ±10°	
Metal Stud Accessory ACC215	Security Accessory ACC952	Metal Stud Accessory ACC415	Security Accessory ACC952	Metal Stud Accessory ACC615	Security Accessory ACC952	Security Accessory ACC952		Security Accessory ACC952		Security Accessory ACC952		Metal Stud Accessory ACC415		Metal Stud Accessory ACC415	

- Ultra slim design holds the display only 0.33" (8mm) from the wall

- Lateral shift adjustment of up to 8" (203mm) (depending on the display model) for perfect display placement

- Easy three step installation process

- Ultra slim design holds displays only 0.19" (5mm) from the wall

- Locking arm holds display in place and prevents accidental bump-offs and unwanted horizontal adjustments

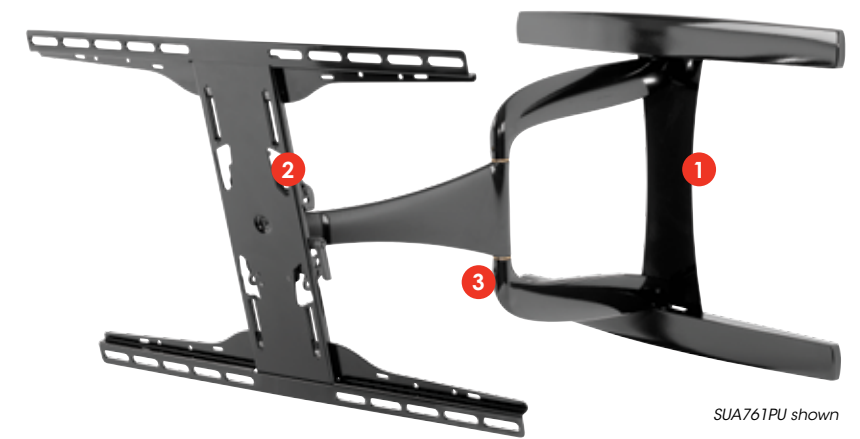
- Theft resistant security screw on locking arm

- ±10° of One-Touch™ tilt for smooth viewing angle adjustment

- Holds displays just 1.00" (25mm) from the wall, creating a low-profile finish perfect for ultra-thin displays

DesignerSeries™ Ultra Slim Articulating Wall Mounts

The DesignerSeries™ Ultra Slim Articulating Wall Mounts are designed exclusively for ultra-thin displays. With full-motion capabilities that allow you to swivel, tilt, extend or retract the display, post installation height adjustment and One-Touch™ tilt features, viewers can effortlessly find the perfect viewing angle.



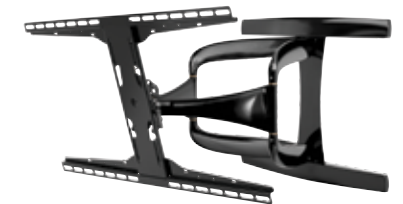
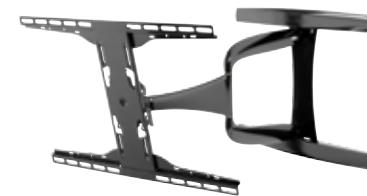
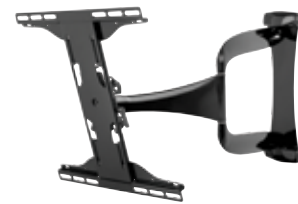
SUA761PU shown

1. ULTRA-LOW PROFILE DESIGN
Creates an aesthetically appealing look

2. POST-INSTALLATION HEIGHT ADJUSTMENT
±0.5" (13mm) of vertical adjustment fine tunes positioning of display after installation

3. INTEGRATED CABLE MANAGEMENT
Protects, contains and conceals cables for a clean, professional installation

ARTICULATING



SUA740P		SUA747PU		SUA761PU		SUA771PU	
Display Size 32" to 40" Ultra-thin displays less than 3" (76mm) deep		Display Size 32" to 50" Ultra-thin displays less than 3" (76mm) deep		Display Size 37" to 65" Ultra-thin displays less than 3" (76mm) deep		Display Size 42" to 90" Ultra-thin displays less than 3" (76mm) deep	
Max Load 60lb (27kg)		Max Load 60lb (27kg)		Max Load 80lb (36kg)		Max Load 125lb (57kg)	
VESA® Pattern 200 x 100 and 200 x 200mm		Mounting Pattern 400 x 400mm (15.75"W x 15.75"H)		Mounting Pattern 600 x 400mm (23.62"W x 15.75"H)		Mounting Pattern 800 x 400mm (31.50"W x 15.75"H)	
Distance From Wall 1.74"-24.74" (44-628mm)		Distance From Wall 1.85"-24.85" (47-631mm)		Distance From Wall 1.85"-24.85" (47-631mm)		Distance From Wall 1.85"-24.85" (47-631mm)	
Tilt Pivot Roll +15°/-5° ±90° ±5°		Tilt Pivot Roll +15°/-5° ±90° ±5°		Tilt Pivot Roll +15°/-5° ±90° ±5°		Tilt Pivot Roll +15°/-5° ±72.5° ±5°	
Metal Stud Accessory WSP756	Security Accessory ACC919	Metal Stud Accessory WSP756	Security Accessory ACC919	Metal Stud Accessory WSP756	Security Accessory ACC925	Metal Stud Accessory WSP756	Security Accessory ACC925

- Full-motion capabilities allow you to swivel, tilt, extend or retract the display for the perfect viewing angle

- Up to ±90° of side-to-side swivel

- One-Touch™ tilt mechanism allows adjustment of +15°/-5° without the use of tools

- Up to ±0.5" (13mm) of vertical adjustment for post installation leveling and height adjustment fine-tuning

- Added ±5° of roll for post-installation display leveling without the use of tools

- Internal cable management provides clean, professional installation finish



- Landscape or portrait mounting options increases display versatility

- Unique arms and tool-less wall plate covers hide fasteners for an ultra clean look

- The I-Shaped Adaptor plate's innovative design helps avoid blocking connections on back of display



For over 75 years, passion and innovation continues to drive Peerless-AV® forward. We proudly design and manufacture the highest quality products, ranging from outdoor displays to complete kiosk solutions, digital signage mounts to wireless systems. Whether a full-scale global deployment or custom project, Peerless-AV develops meaningful relationships and delivers world class service. In partnership with Peerless-AV, you are trusting an award-winning team of experts who will support your business every step of the way.

 peerless-av.com
 800-865-2112