

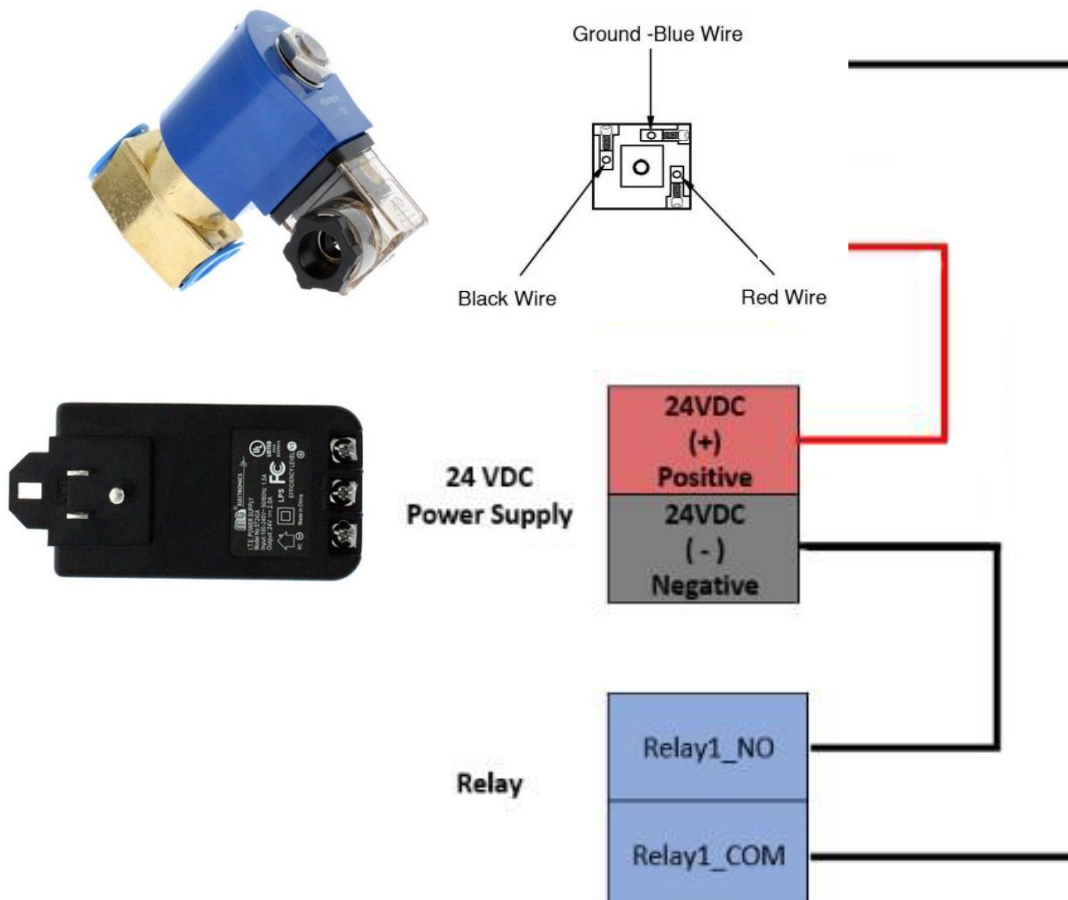
Relay Wiring Options for the SV-1029-1030

SV-1029-1030 Solenoid Valve

The Solenoid Valve can be utilized with most CO2Meter safety systems. The **CM-7000 CO2 Multi-Sensor System**, **RAD-0102-6 Remote CO2 Storage Safety 3 Alarm**, and **RAD-0002-ZR Oxygen Deficiency Safety Alarm** - which can all be used to control the SV-1029 or SV-1030.

Please refer to below diagrams for connection options:

General Wiring Diagram

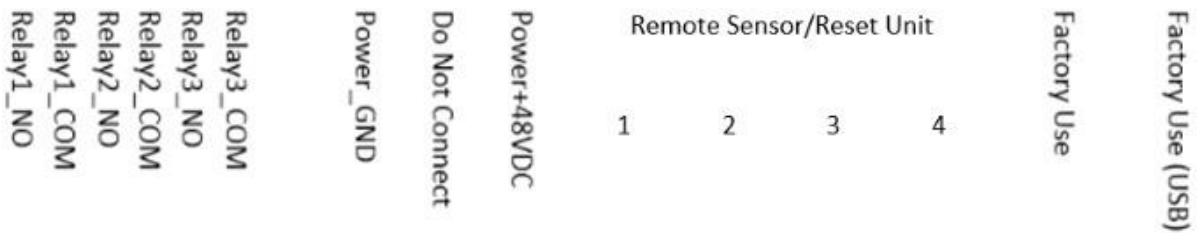


CM-7000



CM-7000

Back of CM-7000 and CM-7005 Tablet



In the diagram above, you can see that the CM-7000/CM-7005 has 3 relays available for connection to the SV-1028. Your custom alarm/relay settings that can be programmed in your tablet, will determine which relay your valve will be connected to.



CM-7002

CM-7002

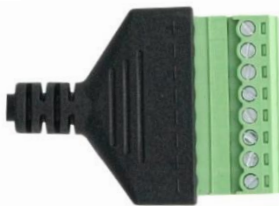

CBL-7002



CBL-7002 CONNECTION TO CM-7002

***** Connect the CBL-7002 to the "Strobe" output on the CM-7002*****



TOP VIEW OF SCREW TERMINAL	BOTTOM VIEW OF SCREW TERMINAL
	
<ul style="list-style-type: none"> 1 + Relay 1_NO 2 - Relay 1_COM 3 + Relay 2_NO 4 - Relay 2_COM 5 + Relay 3_NO 6 - Relay 3_COM 7 Not Used 8 Not Used 	<ul style="list-style-type: none"> 8 - Not Used 7 + Not Used 6 - Relay 3_COM 5 + Relay 3_NO 4 - Relay 2_COM 3 + Relay 2_NO 2 - Relay 1_COM 1 + Relay 1_NO

In the diagram above, you can see that the CM-7002 has 3 relays available for connection to the SV-1028. Your custom alarm/relay settings that can be programmed into your CM-7000 will determine which relay your valve will be connected to.

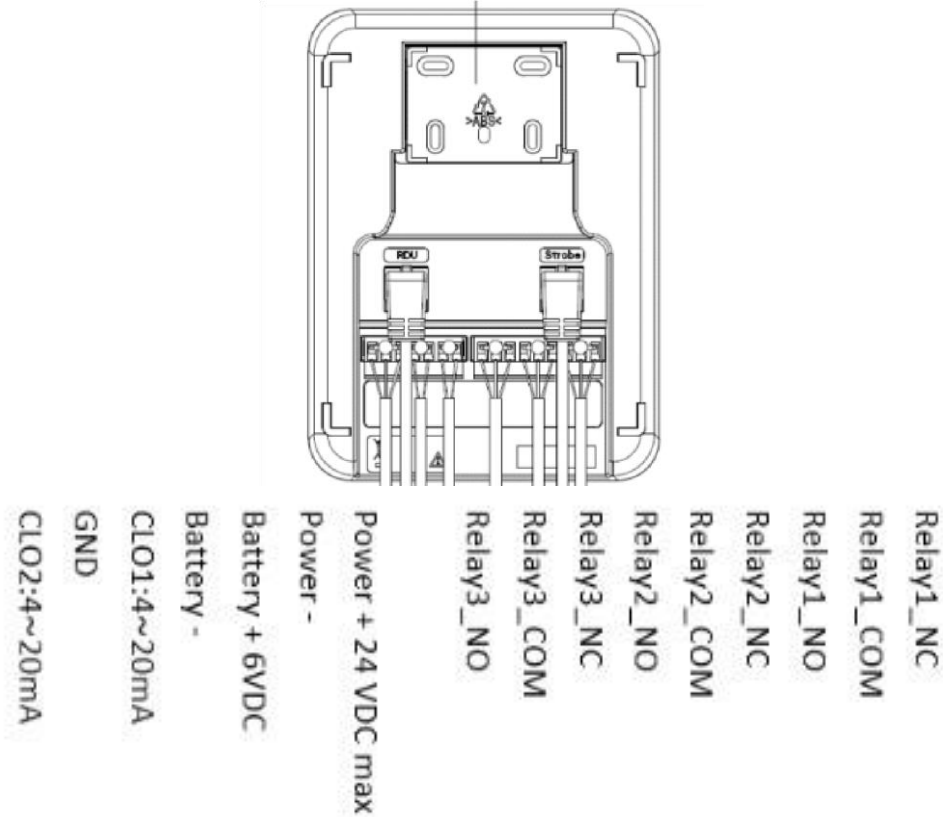
Relay 1 – Position 1 and 2 on CBL-7002

Relay 2 – Position 3 and 4 on CBL-7002 Relay 3 – Position 4 and 6 on CBL-7002

RAD-0102-6/RAD-0002-ZR



Back of RAD-0102-6/RAD-0002-ZR



In the diagram above, you can see that the RAD-0102-6 and RAD-0002-ZR has 3 relays available for connection to the SV-1028. The relays correspond to the preset alarm levels of the device. Connect the valve to the relay that corresponds to the desired shut off level.