

# I<sup>2</sup>C on Senseair Sunrise

**Table of contents:**

1. I <sup>2</sup> C protocol	3
1.1. I <sup>2</sup> C bus	3
1.2. I <sup>2</sup> C data transfer	3
1.3. Abbreviations	4
1.4. References	5
2. I <sup>2</sup> C on Senseair Sunrise	5
2.1. I <sup>2</sup> C settings	5
2.2. I <sup>2</sup> C register map	7
3. Examples	13
3.1. Read Error Status and CO <sub>2</sub>	13
3.2. Set measurement mode to single measurement mode	14
3.3. Start single measurement	14
3.4. Sequence for single measurement mode, sensor enabled/disabled by EN pin	15
3.5. Enable/Disable ABC	18
3.6. Enable/Disable dynamic IIR filter	21
3.7. Calibration	23
3.8. I <sup>2</sup> C address	27

# 1. I<sup>2</sup>C protocol

I<sup>2</sup>C is a communication protocol invented by Philips Semiconductor for communication between a master (or multiple masters) and a single or multiple slave devices. It is commonly used for intra-board low speed communications [1].

## 1.1. I<sup>2</sup>C bus

I<sup>2</sup>C requires only two bus lines, serial data line (SDA) and serial clock line (SCL), Figure 1 is an example of an I<sup>2</sup>C bus with three slaves and one master. Both SDA and SCL are bidirectional lines that should be connected to a positive voltage via a current source or pull-up resistors. The output stages of devices connected to the bus must have an open-drain or open-collector to perform the wired AND logic, an example is shown in Figure 2.

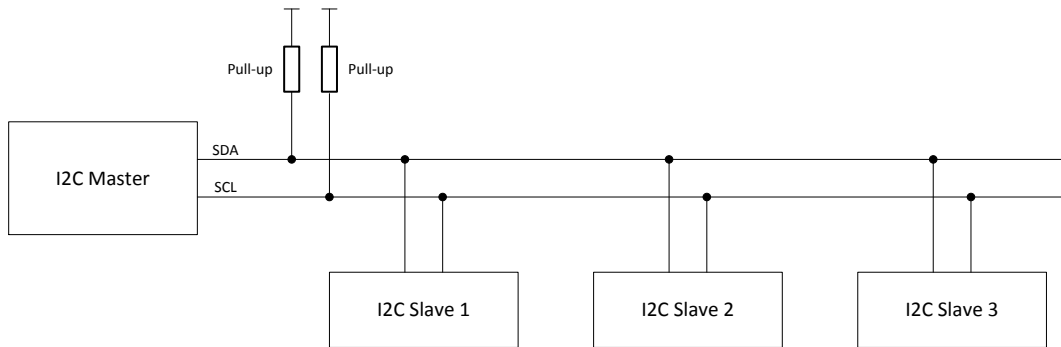


Figure 1, I<sup>2</sup>C Bus

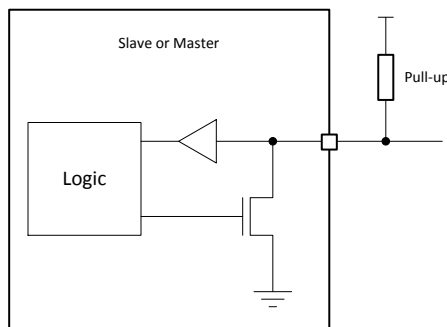


Figure 2, Structure of SDA/SCL ports

## 1.2. I<sup>2</sup>C data transfer

Every I<sup>2</sup>C transmission starts with a START condition and ends with a STOP condition, however a transmission can contain repeated START conditions. A high to low transition on SDA line while SCL is high defines a START condition. A low to high transition on the SDA line while SCL is high defines a STOP condition. Figure 3 shows both a START and a STOP condition.



Figure 3, START and STOP conditions

One data bit is transferred each clock pulse of SCL. Reading of SDA is done when SCL is high and SDA is only allowed to change when SCL is low. Every data byte is followed by one ACK/NACK bit. It is always the receiving device that does the ACK/NACK, for example when a master has written 8 bits to a slave the master releases SDA and the slave should drive SDA low before SCL goes high to ACK the transmission.

Figure 4 and Figure 5 show examples of transmissions with ACK and NACK bits.

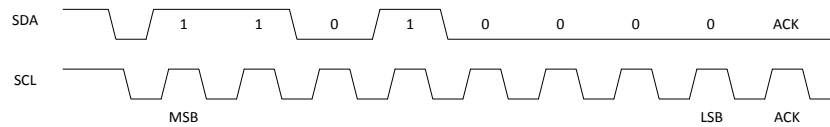


Figure 4, 0xD0 (11010000b) and ACK

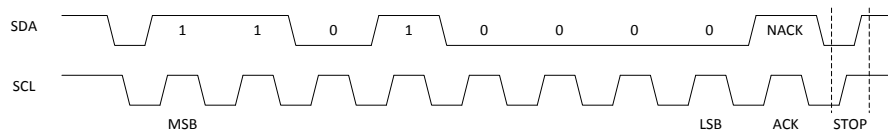


Figure 5, 0xD0 (11010000b), NACK and STOP

The first byte sent after a START condition is always an address byte, the address itself is 7 bits (10 bits address mode exist but is not covered in this document) and the least significant bit is used as direction bit (R/W). If the least significant bit is 0 it means the master wants to write to the slave, if least significant bit is 1 it means that the master wants to read from the slave. When least significant bit is 1 the slave is intended to take control of SDA from next byte, but the master still controls SCL. When the master wants to stop reading from the slave it will NACK last byte sent by the slave and send a STOP condition.

If a receiving device, master or slave, needs additional time to for example evaluate a received byte it can pause the data transfer by holding SCL low, this is called clock stretching. An example of clock stretching is shown in Figure 6.

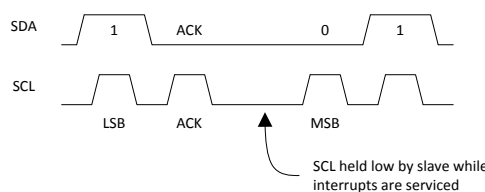


Figure 6, Clock stretching

### 1.3. Abbreviations

Term	Description
LLSB	least least significant byte
LMSB	least most significant byte
LSB	least significant byte
MLSB	most least significant byte
MMSB	most most significant byte
MSB	most significant byte

## 1.4. References

[1] UM10204 I2C-Bus specification and Manual Rev 6, NXP semiconductors

[2] TDE7318, Sunrise user guideline

## 2. I<sup>2</sup>C on Senseair Sunrise SE-11

### 2.1. I<sup>2</sup>C settings

The sensor acts as a slave device on the I<sup>2</sup>C bus.

**Table 1, Senseair Sunrise SE-11 I<sup>2</sup>C settings**

Parameter	Value	Description
Master/slave mode	Slave	Sensor will never initiate communication
Data rate	Up to 100kbit/s (standard mode)	
Addressing mode	7 bit	
Address range	0 – 127	Default address is 0x68
Clock stretch	Yes	If sensor needs time to evaluate a received byte it will hold SCL low
SCL pull-up	100kΩ	
SDA pull-up	-	
Wake-up		Wake up needed
Timeout	15ms	After any activity on the SDA line sensor will wake up, sensor will enter sleep again after 15ms without activity on the SDA line or after a completed read or write cycle.

Since Senseair Sunrise only provides a 100kΩ pull-up resistor on the SCL line an external pull-up resistor must be used for SDA. To be able to use data rates up to 100kbit it is in most cases suitable to use pull-up resistors in the range 5kΩ - 15kΩ on both SCL and SDA. Information about how to calculate appropriate pull-up resistor values can be found in [1]

Senseair Sunrise spend most of its time in deep sleep mode to minimize power consumption, this have the effect that it is necessary to wake up the sensor before it is possible to communicate with it. Sensor will wake up on a falling edge on SDA, it is recommended to send sensors address to wake it up. When sensors address is used to wake up the sensor the sensor will not acknowledge this byte.

Communication sequence:

- 1) Wake up sensor by sending sensor address (START, sensor address, STOP). Sensor will not ACK this byte.
- 2) Normal I2C read/write operations. I2C communication must be started within 15ms after the wake-up byte, each byte sent to or from the sensor sets the timeout to 15 ms. After a complete read or write sequence sensor will enter sleep mode immediately.

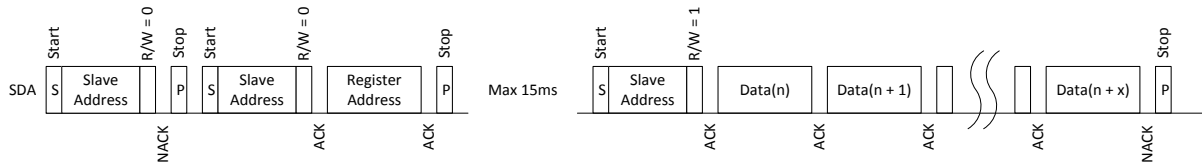


Figure 7, Reading from Senseair Sunrise SE-11 after wake up

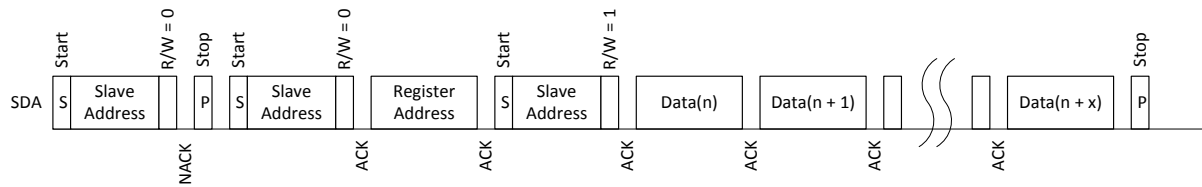


Figure 8, Reading from Senseair Sunrise SE-11 after wake up using repeated start

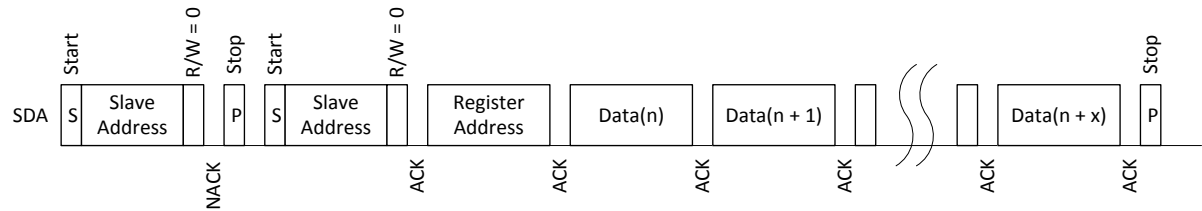


Figure 9, Writing to Senseair Sunrise SE-11

## 2.2. I<sup>2</sup>C register map

I<sup>2</sup>C registers are categorised into two groups, which are read only registers shown in Table 2 I<sup>2</sup>C read only registers and read/write registers shown in Table 3 I<sup>2</sup>C read/write registers.

**Table 2 I<sup>2</sup>C read only registers**

Name	Register number / Address	Description (read only registers)																											
Reserved	0x00																												
ErrorStatus	0x01	<table border="1"> <thead> <tr> <th>Bit</th> <th>Error description</th> <th>Suggested action</th> </tr> </thead> <tbody> <tr> <td>0</td> <td><b>Fatal error</b> Indicates that initialization of analog front end failed</td> <td>Try to restart sensor by power on/off. Contact local distributor.</td> </tr> <tr> <td>1</td> <td><b>I2C error</b> Attempt to read or write to not exiting addresses/registers detected.</td> <td>Try to restart sensor by power on/off. Check wires, connectors and I2C protocol implementation. Contact local distributor.</td> </tr> <tr> <td>2</td> <td><b>Algorithm error</b> Corrupt parameters detected.</td> <td>Try to restart sensor by power on/off. Contact local distributor.</td> </tr> <tr> <td>3</td> <td><b>Calibration error</b> Indicates that calibration has failed (ABC, zero, background or target calibration).</td> <td>Try to repeat calibration. Ensure that the environment is stable during calibration.</td> </tr> <tr> <td>4</td> <td><b>Self-diagnostics error</b> Indicates internal interface failure.</td> <td>Try to restart sensor by power on/off. Contact local distributor.</td> </tr> <tr> <td>5</td> <td><b>Out of range</b> Indicates that the measured concentration is outside the sensor's measurement range</td> <td>Perform suitable CO<sub>2</sub> calibration (zero, background or target calibration). Contact local distributor.</td> </tr> <tr> <td>6</td> <td><b>Memory error</b> Error during memory operations</td> <td>Try to restart sensor by power on/off. Contact local distributor.</td> </tr> <tr> <td>7</td> <td><b>No measurement completed</b> Bit set at startup, cleared after first measurement</td> <td>0 – First measurement cycle completed 1 – No measurement completed  If sensor is used in single measurement mode and powered down between measurements this bit can be used to verify started measurement cycle has finished</td> </tr> </tbody> </table>	Bit	Error description	Suggested action	0	<b>Fatal error</b> Indicates that initialization of analog front end failed	Try to restart sensor by power on/off. Contact local distributor.	1	<b>I2C error</b> Attempt to read or write to not exiting addresses/registers detected.	Try to restart sensor by power on/off. Check wires, connectors and I2C protocol implementation. Contact local distributor.	2	<b>Algorithm error</b> Corrupt parameters detected.	Try to restart sensor by power on/off. Contact local distributor.	3	<b>Calibration error</b> Indicates that calibration has failed (ABC, zero, background or target calibration).	Try to repeat calibration. Ensure that the environment is stable during calibration.	4	<b>Self-diagnostics error</b> Indicates internal interface failure.	Try to restart sensor by power on/off. Contact local distributor.	5	<b>Out of range</b> Indicates that the measured concentration is outside the sensor's measurement range	Perform suitable CO <sub>2</sub> calibration (zero, background or target calibration). Contact local distributor.	6	<b>Memory error</b> Error during memory operations	Try to restart sensor by power on/off. Contact local distributor.	7	<b>No measurement completed</b> Bit set at startup, cleared after first measurement	0 – First measurement cycle completed 1 – No measurement completed  If sensor is used in single measurement mode and powered down between measurements this bit can be used to verify started measurement cycle has finished
		Bit	Error description	Suggested action																									
		0	<b>Fatal error</b> Indicates that initialization of analog front end failed	Try to restart sensor by power on/off. Contact local distributor.																									
		1	<b>I2C error</b> Attempt to read or write to not exiting addresses/registers detected.	Try to restart sensor by power on/off. Check wires, connectors and I2C protocol implementation. Contact local distributor.																									
		2	<b>Algorithm error</b> Corrupt parameters detected.	Try to restart sensor by power on/off. Contact local distributor.																									
		3	<b>Calibration error</b> Indicates that calibration has failed (ABC, zero, background or target calibration).	Try to repeat calibration. Ensure that the environment is stable during calibration.																									
		4	<b>Self-diagnostics error</b> Indicates internal interface failure.	Try to restart sensor by power on/off. Contact local distributor.																									
		5	<b>Out of range</b> Indicates that the measured concentration is outside the sensor's measurement range	Perform suitable CO <sub>2</sub> calibration (zero, background or target calibration). Contact local distributor.																									
		6	<b>Memory error</b> Error during memory operations	Try to restart sensor by power on/off. Contact local distributor.																									
7	<b>No measurement completed</b> Bit set at startup, cleared after first measurement	0 – First measurement cycle completed 1 – No measurement completed  If sensor is used in single measurement mode and powered down between measurements this bit can be used to verify started measurement cycle has finished																											

Reserved	0x02	
Reserved	0x03	
Reserved	0x04	
Reserved	0x05	
CO <sub>2</sub> Value Filtered	0x06 (MSB)	Filtered CO <sub>2</sub> concentration. Signed 16 bit value, unit ppm. See [2] for details about IIR filtration.
	0x07 (LSB)	
Temperature	0x08 (MSB)	Chip temperature. Signed 16 bit value, unit °C x100. For example, register value = 2223 means 22.23°C.
	0x09 (LSB)	
Reserved	0x0A	
Reserved	0x0B	
Reserved	0x0C	
Measurement count	0x0D	Counter incremented after each measurement, range 0 – 255. The counter wraps around after the maximum value is reached.  Counter value can for example be used by the host system to ensure that the sensor has done a measurement since last time CO <sub>2</sub> value was read.
Measurement cycle time	0x0E (MSB)	Measurement cycle time shows current time in present measurement cycle, incremented every 2 seconds. For example Measurement cycle time = 3 means 6 seconds has passed in current measurement cycle. Value is set to 0 when sensor starts a new measurement. This value can be used by the host system to synchronize readings with sensor measurements.
	0x0F (LSB)	
CO <sub>2</sub> Value Unfiltered	0x10 (MSB)	Unfiltered CO <sub>2</sub> concentration. Signed 16 bit value, unit ppm.
	0x11 (LSB)	
Sensor Id	0x3A (MMSB)	Sensor Id. Unsigned 32 bit value.
	0x3B (MLSB)	
	0x3C (LMSB)	
	0x3D (LLSB)	
Reserved	0x3E	
Reserved	0x3F	

**Table 3 I2C read/write registers**

Name	Register number / Address	Description (read/write registers)
Reserved	0x80	
Calibration Status	0x81	These bits are set after successful calibrations. The bits need to be cleared/reset by host system, it is recommended to do this before starting a calibration.



		Bit	Description
		0	
		1	
		2	Factory calibration restored
		3	ABC calibration
		4	Target calibration
		5	Background calibration
		6	Zero calibration
		7	
Calibration Command	0x82 (MSB)	Calibration is initiated by the commands in the table below. See [2] for description of the different calibration modes. The sensor will perform a calibration based on the first measurement immediately after the calibration command was received. After having performed the calibration all following measurements will use the adjusted calibration parameters. It is recommended that Calibration status is cleared before initiating a calibration.	
		<b>Command</b>	<b>Name and description</b>
	0x83 (LSB)	0x7C02	Restore factory calibration. Restores calibration parameters to factory calibration values.
		0x7C03	Forced ABC calibration. Sensor will perform an ABC calibration after receiving this command if sensor has valid ABC data. The command can be used if one for some reason wants to do an ABC adjustment before one ABC period has passed (when a normal ABC calibration is done). This command only works if ABC is enabled, see ABC period (addr 0x9A & 0x9B) and MeterControl (addr 0xA5).
		0x7C05	Target calibration. Calibration using Calibration target (addr 0x84, 0x85) value as calibration target.
		0x7C06	Background calibration Calibration using ABC target as calibration target.
		0x7C07	Zero calibration. Calibration using 0 ppm CO <sub>2</sub> as calibration target.
Calibration Target	0x84 (MSB)	Calibration target used by target calibration (0x82..0x83- 0x7C05 command).	
	0x85 (LSB)		
CO <sub>2</sub> Value Override	0x86 (MSB)	Default value = 32767 (no override). If a value lower than default is written to the register both CO <sub>2</sub> value filtered and unfiltered will be set to this value after next measurement.	
	0x87 (LSB)		
ABC Time	0x88 (MSB)	Time passed since last ABC calibration in hours. <b>If ABC is enabled when sensor is used in single measurement mode and powered down between measurements the host system must increment this value every hour.</b>	
	0x89 (LSB)		
ABC Par0	0x8A (MSB)	<b>If ABC is enabled when sensor is used in single measurement mode and powered down between measurements, these registers must be read from the sensor after each measurement and written back to the sensor after each power on (enable) before a new measurement is triggered.</b>	
	0x8B (LSB)		
ABC Par1	0x8C (MSB)		
	0x8D (LSB)		
ABC Par2	0x8E (MSB)		

	0x8F (LSB)	
ABC Par3	0x90 (MSB)	
	0x91 (LSB)	
Reserved	0x92	
Start Single Measurement	0x93	Writing 1 initiates a measurement if the sensor is configured for single measurement mode.
Reserved	0x94	
Measurement Mode (EE)	0x95	There are two measurement modes to choose between. Value = 0, continuous measurement mode (default) Value = 1, single measurement mode. A system reset is required after changing measurement mode.
Measurement Period (EE)	0x96 (MSB)	Measurement period in seconds (range from 2 to 65534). Odd numbers will be rounded up to nearest even number. A system reset is required after changing configuration. Default value is 16. Note: Measurement period is only used in continuous measurement mode
	0x97 (LSB)	
Number of samples (EE)	0x98 (MSB)	Number of samples in one measurement (range from 1 to 1024). A higher number leads to a better accuracy but also a higher power consumption. A system reset is required after changing configuration. Default is 8 samples.  One sample takes < 200ms, this means that “Number of samples” * 0.2s should be less than or equal to time between measurements. If time for executing all samples in a measurement is longer than time between measurements, sensor will execute all samples and after that start a new measurement. This means that actual time between measurements will be longer than expected.
	0x99 (LSB)	
ABC period (EE)	0x9A (MSB)	Period for ABC cycle in hours (range from 1 to 65534). Default is 180 hours.  ABC enabled by writing 1 to 65534 to addr 0x9A, 0x9B <b>and</b> bit 1 = 0 at addr 0xA4, 0xA5  ABC disabled by writing 0 or 65535 to addr 0x9A, 0x9B <b>or</b> bit 1 = 1 at addr 0xA4, 0xA5.
	0x9B (LSB)	
Reserved	0x9C	
Clear ErrorStatus	0x9D	Write any numbers to this register to clear the ErrorStatus
ABC Target (EE)	0x9E (MSB)	Target value for background and ABC calibrations (ppm CO <sub>2</sub> ). Default value is 400 (400 ppm CO <sub>2</sub> ).
	0x9F (LSB)	
Reserved	0xA0	
Static IIR filter parameter (EE)	0xA1	Parameter for static IIR filter, range from 2 – 10. A higher value corresponds to a harder filtration. See [2] for details about IIR filtration.
Reserved	0xA2	
SCR	0xA3	The SCR register can be used to reset the sensor Register value = 0xFF, sensor will reset/restart itself.

Reserved	0xA4	DoC
Meter control (EE)	0xA5	Bit field used to enable/disable sensor functions
		<b>Bit</b> <b>Description</b>
		0    0 - nRDY enabled (default) 1 - nRDY disabled
		1    0 - ABC enabled (default) 1 - ABC disabled
		2    0 - Static IIR filter enabled (default) 1 - Static IIR filter disabled
		3    0 - Dynamic IIR filter enabled (default) 1 - Dynamic IIR filter disabled To enable dynamic IIR filter both static IIR filter (bit2) and dynamic IIR filter (bit3) must be enabled
		4
		5
		6
		7
		EEPROM mapped register.
Reserved	0xA6	
MB/I2C address (EE)	0xA7	Sensor address, range 1 – 127 (0x01 – 0x7F). Default value is 104 (0x68). A sensor reset is needed to activate the new address. EEPROM mapped register
Registers from address 0xC0 to 0xCD are mirrors of registers at addresses 0x80, 0x81, 0x92, 0x93, and 0x88 to 0x91. The reason for this is to make it possible to only write respective read one block of read/write registers when sensor is used in single measurement mode and powered down between measurements. See example at 3.4 for details.		
Reserved	0xC0	
Calibration Status	0xC1	These bits are set after successful calibrations. The bits need to be cleared/reset by host system, it is recommended to do this before starting a calibration.
		<b>Bit</b> <b>Description</b>
		0
		1
		2    Factory calibration restored
		3    ABC calibration
		4    Target calibration
		5    Background calibration
		6    Zero calibration
7		
Reserved	0xC2	
Start Single Measurement	0xC3	Writing 1 to this register initiates a measurement if the sensor is configured for single measurement mode.
ABC Time	0xC4 (MSB)	Time passed since last ABC calibration in hours.
	0xC5 (LSB)	<b>If ABC is enabled when sensor is used in single measurement mode and powered down between measurements the host system must increment this value every hour.</b>

ABC Par0	0xC6 (MSB)	<p><b>If ABC is enabled when sensor is used in single measurement mode and powered down between measurements, these registers must be read from the sensor after each measurement and written back to the sensor after each power on (enable) before a new measurement is triggered.</b></p>	
	0xC7 (LSB)		
ABC Par1	0xC8 (MSB)		
	0xC9 (LSB)		
ABC Par2	0xCA (MSB)		
	0xCB (LSB)		
ABC Par3	0xCC (MSB)		
	0xCD (LSB)		
Filter Par0	0xCE (MSB)		<p><b>If the sensor is used in single measurement mode with IIR filter enabled and powered down between measurements, these registers must be read from the sensor after each measurement and written back to the sensor after each power on (enable) before a new measurement is triggered.</b></p>
	0xCF (LSB)		
Filter Par1	0xD0 (MSB)		
	0xD1 (LSB)		
Filter Par2	0xD2 (MSB)		
	0xD3 (LSB)		
Filter Par3	0xD4 (MSB)		
	0xD5 (LSB)		
Filter Par4	0xD6 (MSB)		
	0xD7 (LSB)		
Filter Par5	0xD8 (MSB)		
	0xD9 (LSB)		
Filter Par6	0xDA (MSB)		
	0xDB (LSB)		
Reserved	0xDC		
Reserved	0xDD		
Reserved	0xDE		
Reserved	0xDF		

Registers with (EE) after their names use sensors EEPROM, this means that to frequent writes to these registers will lead to a corrupt EEPROM. Total number of EEPROM write cycles should be less than 10000.

When writing multiple (EE) registers in one sequence then this write cycle will be counted as just ONE write cycle out of the 10000 that are allowed writes to the EEPROM. All new written data to register (EE) can be read back after a sensor reset is completed.

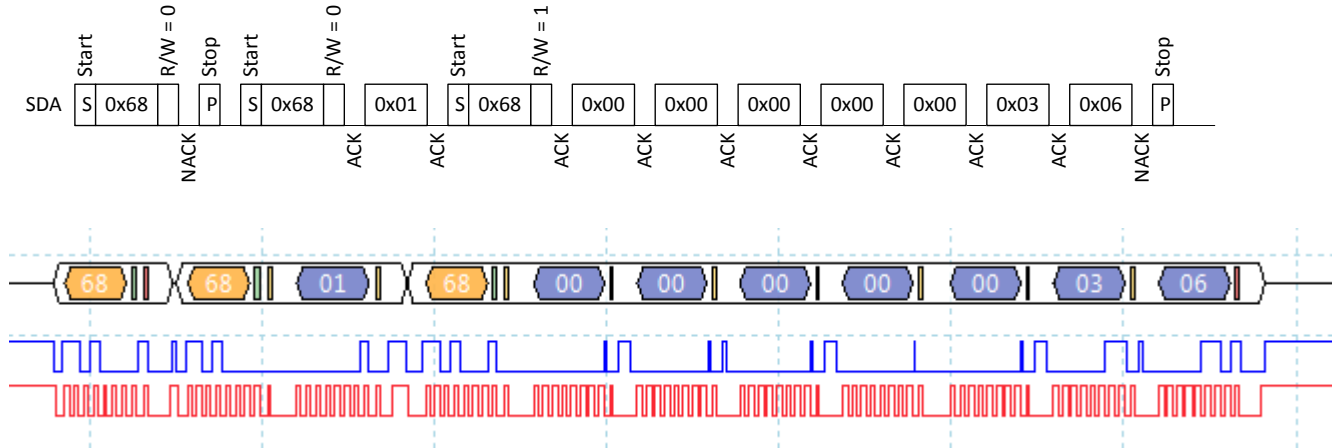
Registers marked as “Reserved” can be read and written, however it is strongly recommended to not use these registers.

### 3. Examples

#### 3.1. Read Error Status and CO<sub>2</sub>

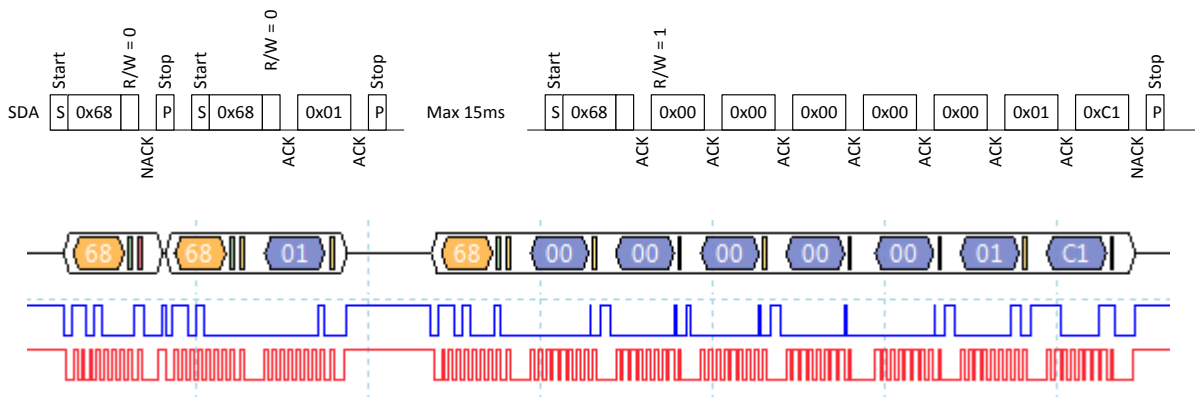
Reading Error Status and filtered CO<sub>2</sub> value (Error Status, 4 reserved bytes, CO<sub>2</sub>).

##### 3.1.1 Example using repeated start:



In example Error Status = 0 (no error flags set) and CO<sub>2</sub> = 0x0306 (774d).

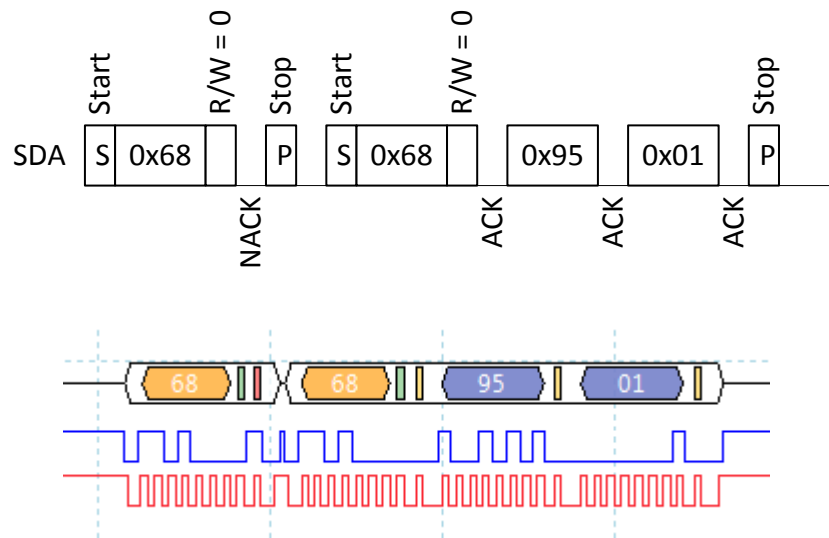
##### 3.1.2 Example not using repeated start:



In example Error Status = 0 (no error flags set) and CO<sub>2</sub> = 0x01C1 (449d).

### 3.2. Set measurement mode to single measurement mode

Write 1 to register Measurement Mode (0x95). Note that after measurement mode has been written to the sensor it has to be restarted before it will change to the new measurement mode.

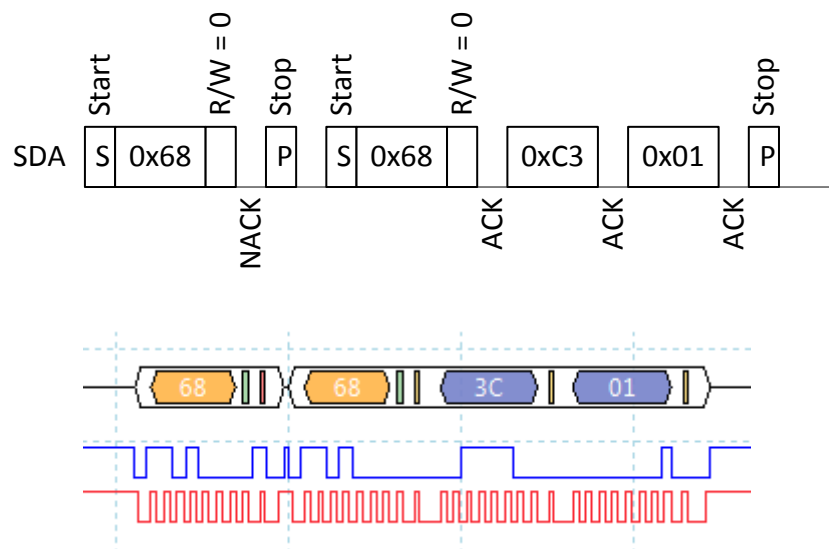


### 3.3. Start single measurement

The single measurement command can be used if a host wants to control when Senseair Sunrise (SE-11) measures, for example if one wants to use different measurement periods depending on time of day or weekday.

If ABC is enabled, it is very important to ensure that measurements are performed when the sensor is exposed to fresh air.

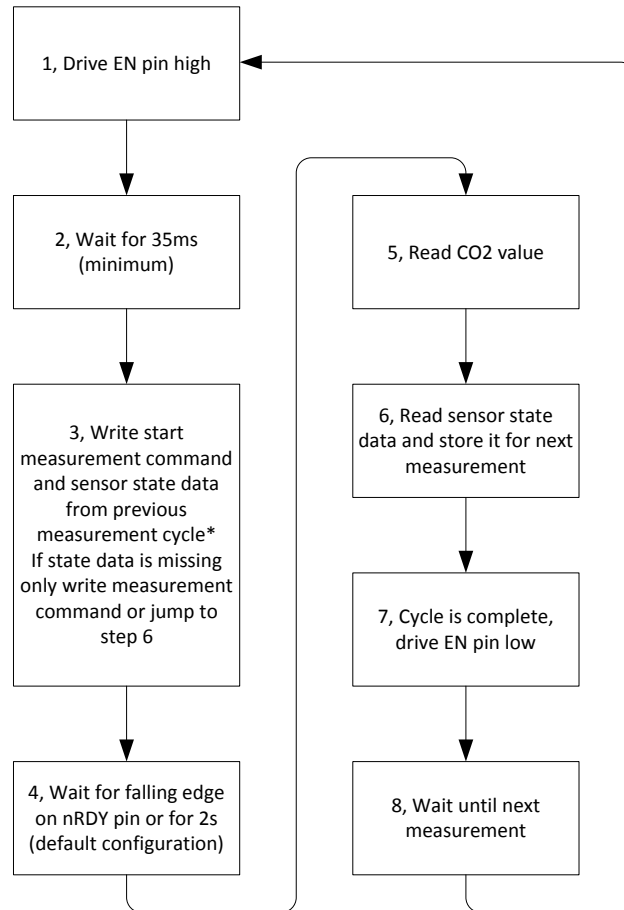
Write 1 to register Start Single Measurement (0xC3 or 0x93).



### 3.4. Sequence for single measurement mode, sensor enabled/disabled by EN pin

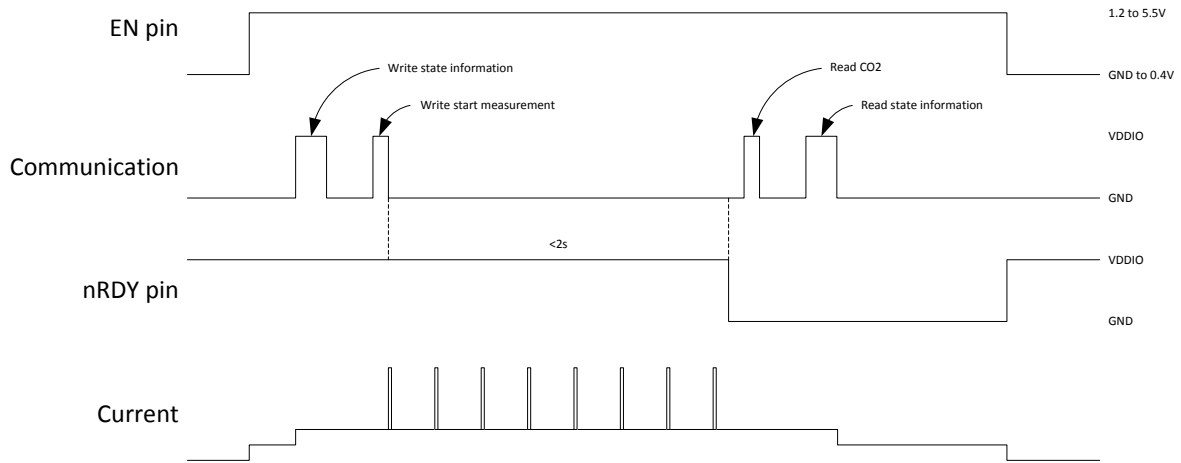
To minimize power consumption one can power down Senseair Sunrise (SE-11) between measurements alternatively drive its EN pin low (powers down active circuits). When the sensors circuits are powered down data needed for ABC and IIR filter will be lost, therefore it is necessary to read a few registers from Senseair Sunrise (SE-11) before it is powered down and to write these registers back after it is powered on.

Following sequence can be used when powering down/disable the sensor between measurements.



\*If start measurement command and state data is written in two separate write sequences, state data must be written before start measurement command

Figure 10, Sequence for single measurement mode, sensor enabled/disabled by EN pin

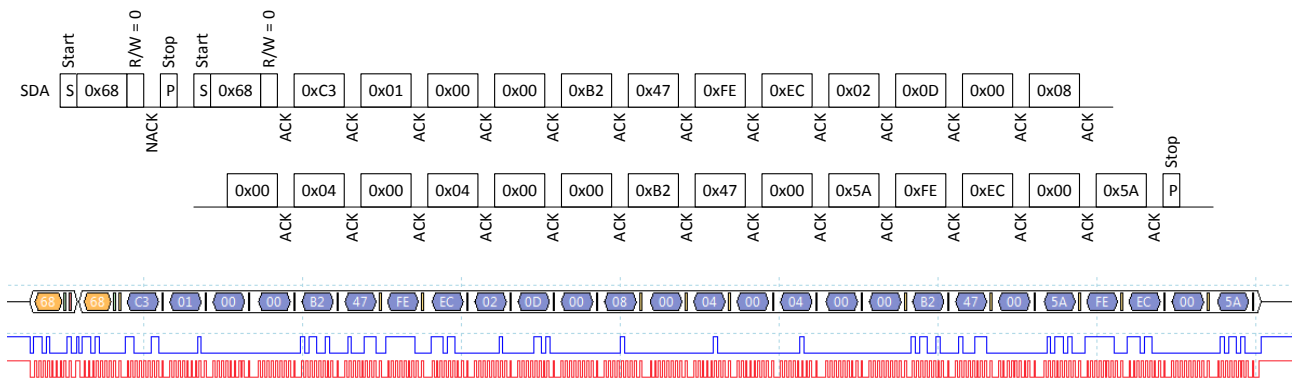


**Figure 11, Timing diagram for single measurement mode**

- 1 Drive EN pin high (>1.2V)
- 2 Wait for minimum 35ms for sensor start-up and stabilization
- 3 If state data exist go to point 3.1, otherwise go to point 3.2

3.1 Sensor state data exist

If state data exist write start measurement command and state data to register Start Single Measurement – Filter Par6 (0xC3 – 0xDB).



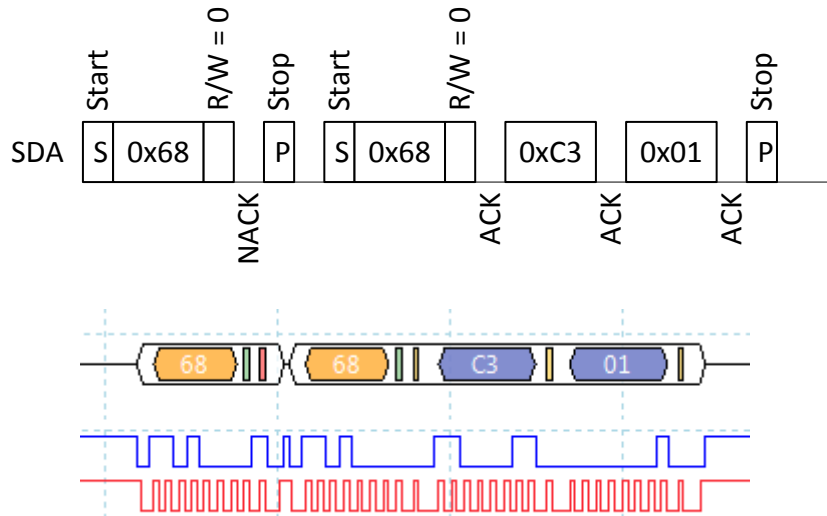
3.2 Sensor state data do not exist.

If host device has no state data, it is very important that host do not write "0" to address 0xC2 - 0xDB (ABC Par0 to Filter Par6) the first time it starts a measurement.



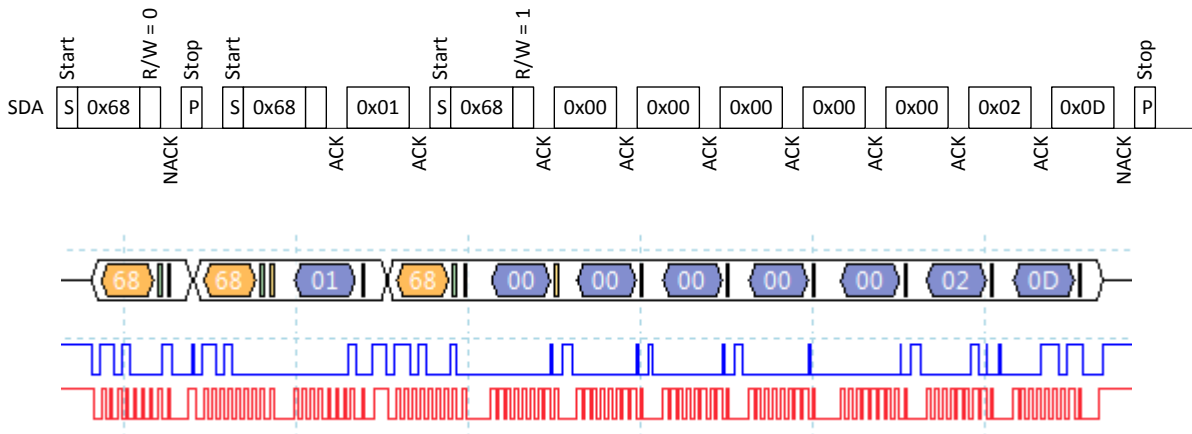
There are 2 options for this condition:

- a) Write 1 (start measurement command) to register Start Single Measurement (0xC3).

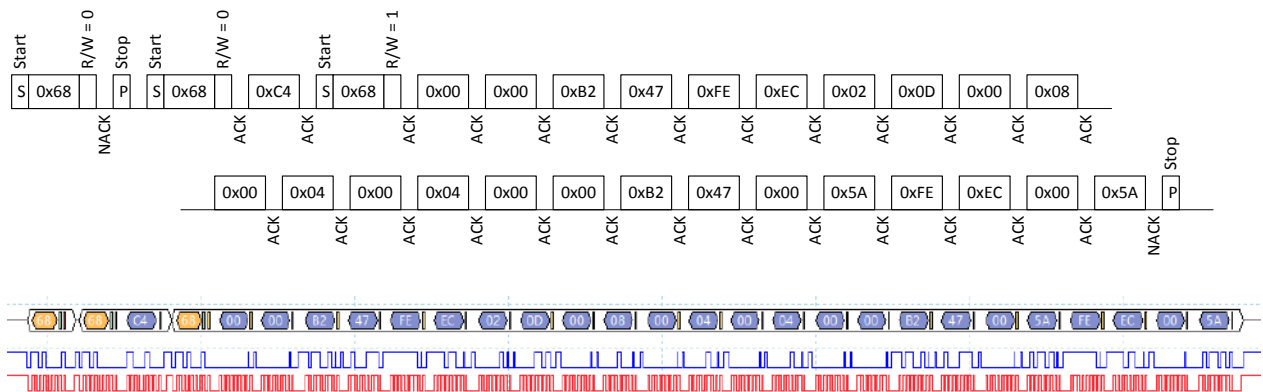


- b) Jump to point 6 immediately to read and save state data from the sensor before the initial measurement.

- Wait until ready pin goes low or 2s (for default configuration)
- Read address 0x01 – 0x07 (first byte = Error Status, last two bytes = CO<sub>2</sub> value).



- Read sensor state data from address 0xC4 – 0xDB and save it for next measurement.



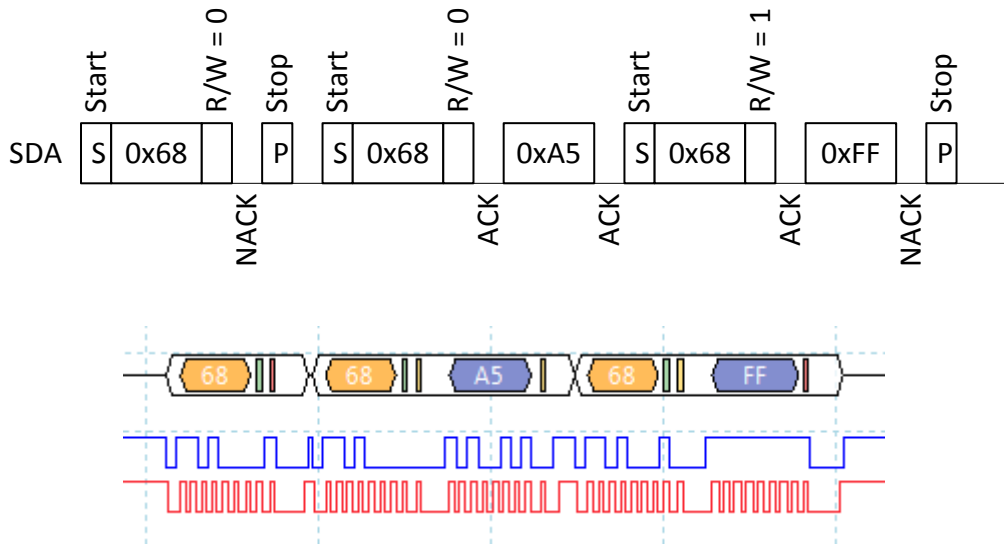
- Drive EN pin low (<0.4V)

### 3.5. Enable/Disable ABC

#### 3.5.1 Enable ABC:

1. Clear bit1 in register Meter control (0xA5)

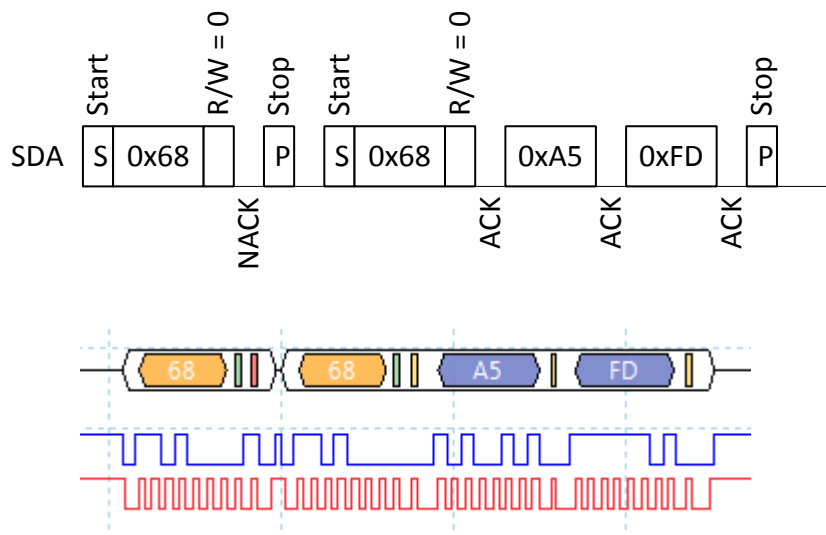
1.1 Start to read address 0xA5.



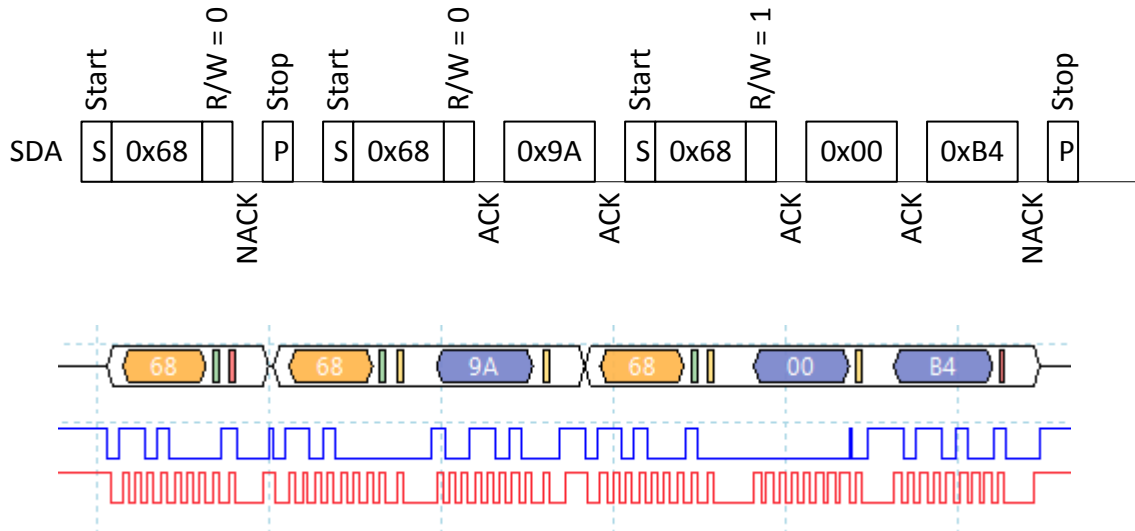
- 1.2 Clear bit1 in register and write back

Meter control = 0xFF => new Meter control value = 0xFF & 0xFD = 0xFD

- 1.3 Write back new Meter control value.

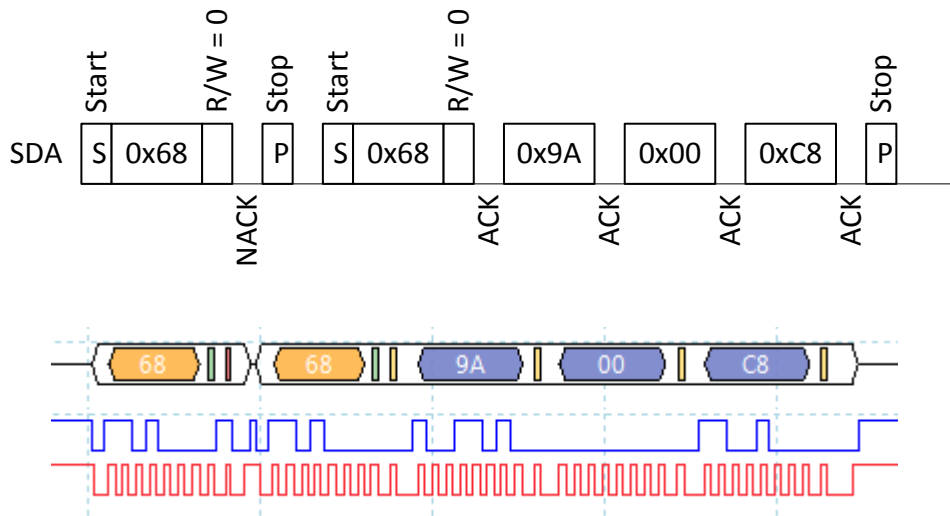


- Read register ABC period (0x9A, 0x9B) and verify that it is desired ABC period.



ABC period = 0x00B4 = 180 hours

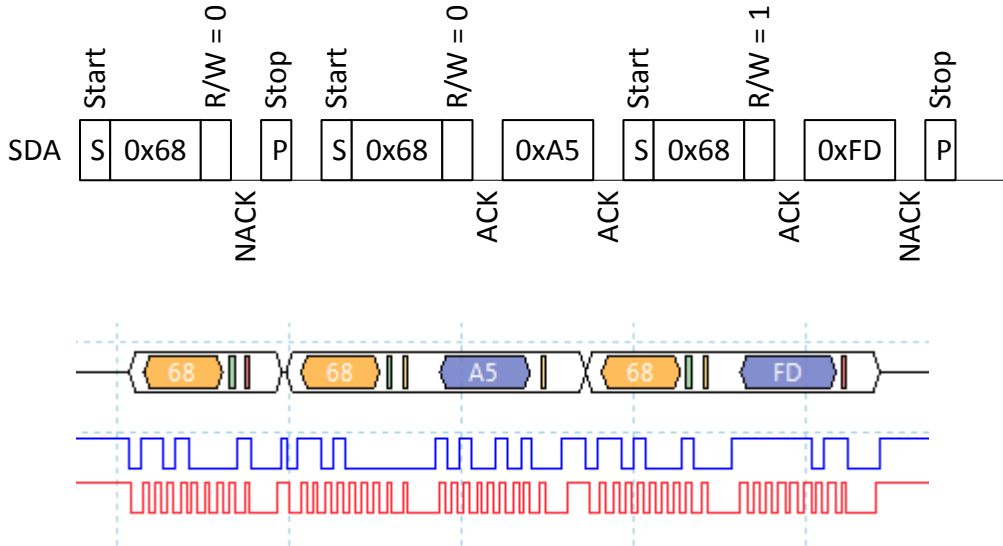
- If ABC period needs to be changed write wanted ABC period in hours to register ABC period (0x9A, 0x9B), in this example ABC period is set to 200 hours.



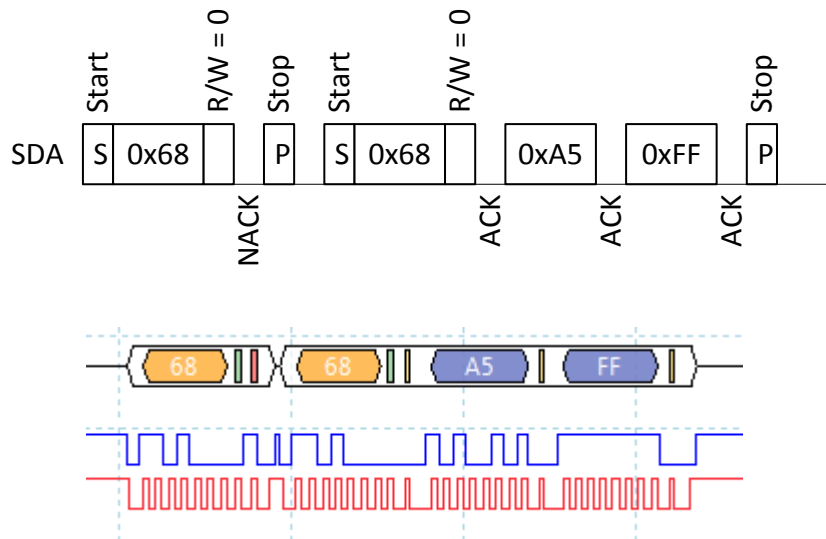
### 3.5.2 Disable ABC:

Set bit1 in register Meter control (0xA5)

1. Start to read register Meter control.



2. Set bit1 in register and write back.
3. Meter control = 0xFD => new Meter control = 0xFD | 0x02 = 0xFF
4. Write back new Meter control value.



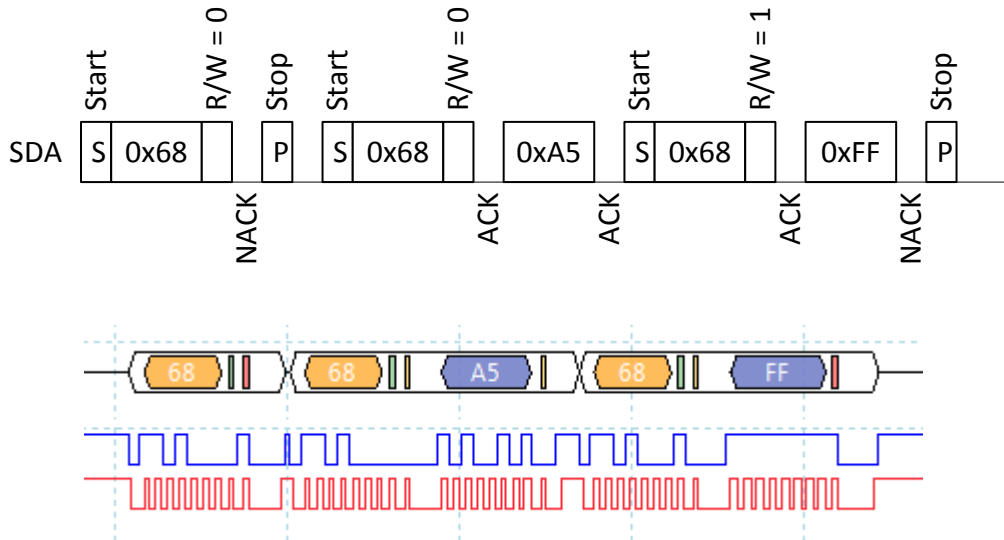
A possible alternative is to set register ABC period to zero, but then information about what ABC period to use must be saved to be able to enable ABC in future.

### 3.6. Enable/Disable dynamic IIR filter

Enable and disable dynamic IIR filtration by writing to register Meter control (0xA5).

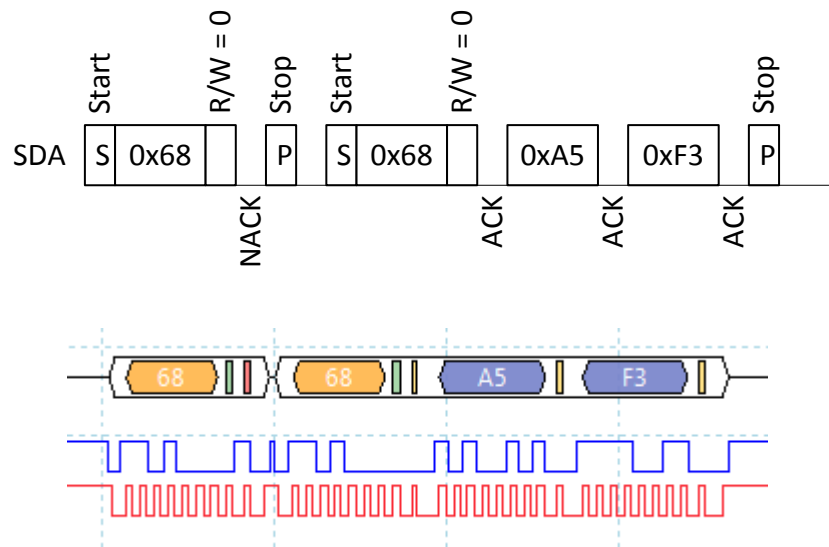
#### 3.6.1 Enable dynamic IIR filter.

1. Start to read Meter control.



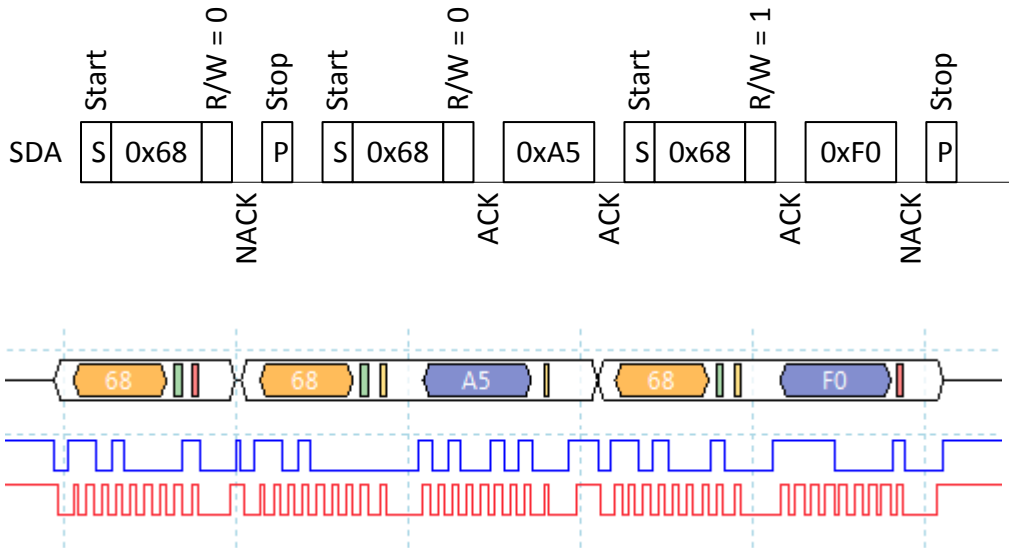
2. Clear bit2 and bit3 in register and write back

Meter control = 0xFF => new Meter control value = 0xFF & 0xF3 = 0xF3



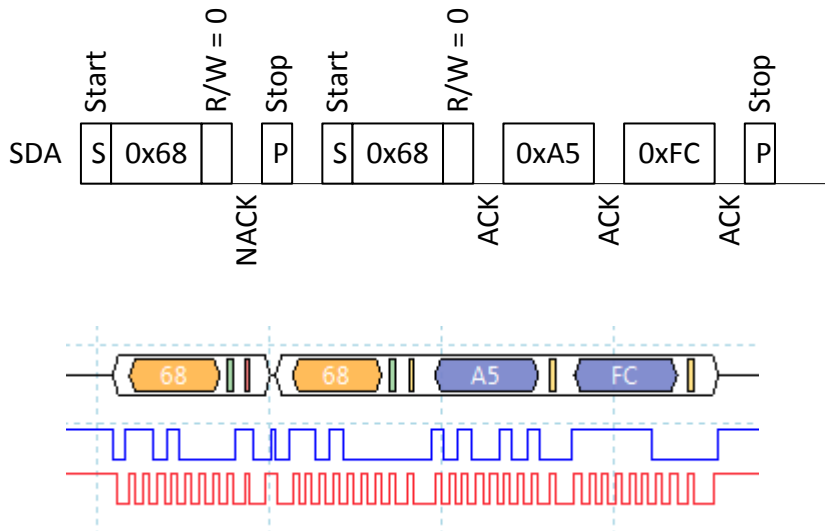
### 3.6.2 Disable static and dynamic IIR filter.

1. Start to read register Meter control (0xA5).



2. Set bit 2 and bit 3 in register Meter control (0xA5).

Meter control = 0xF0 => new Meter control = 0xF0 | 0xFC = 0xFC

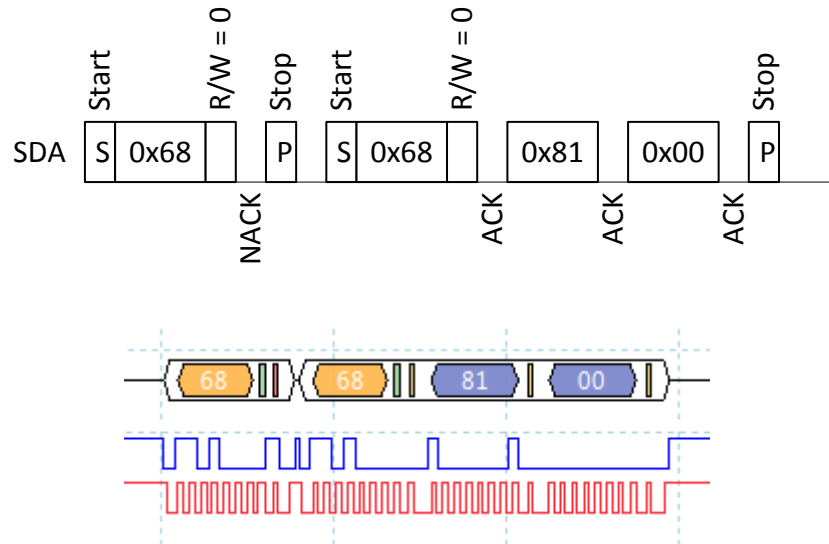


### 3.7. Calibration

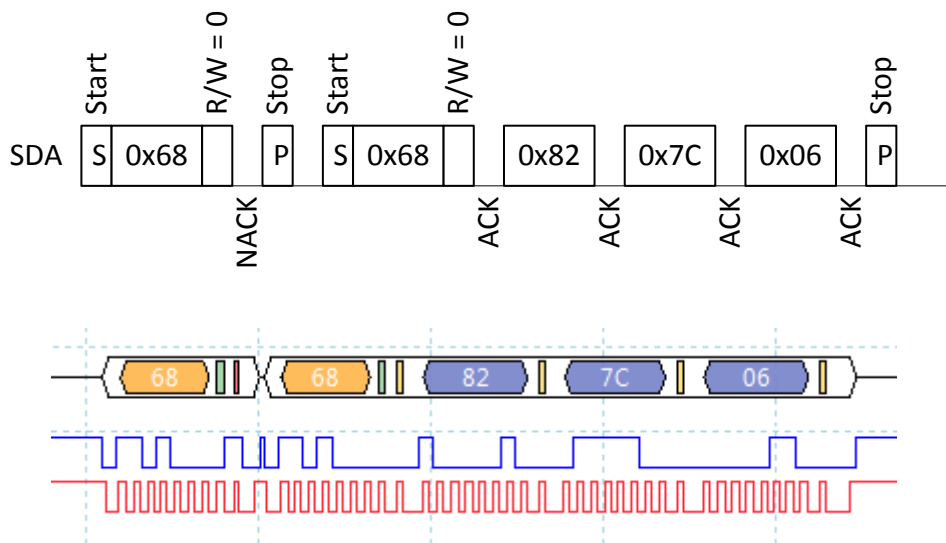
#### 3.7.1 Background Calibration

Example how to background calibrate against fresh air or 400ppm CO<sub>2</sub> concentration by triggering the background calibration, read calibration status and CO<sub>2</sub> value after calibration.

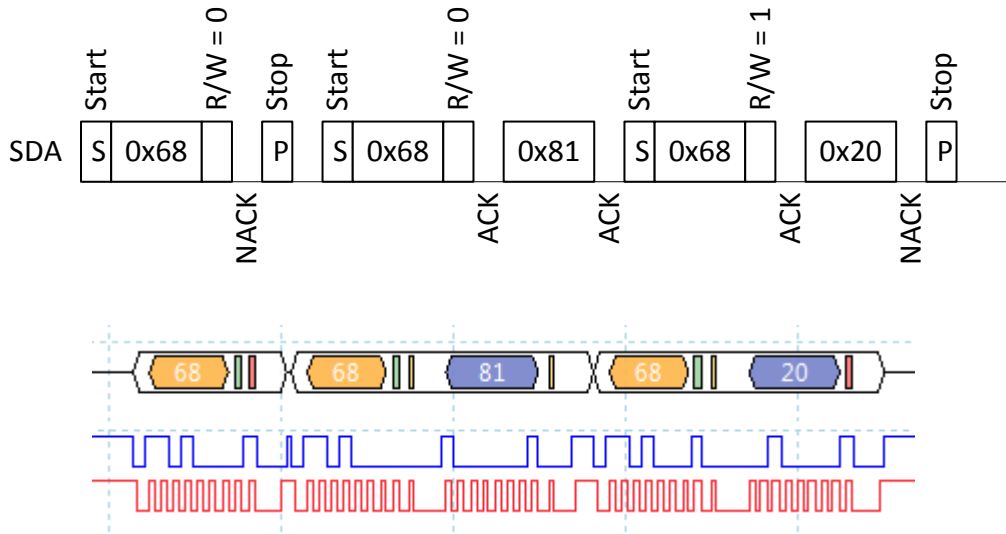
1. Start to clear register Calibration Status (0x81)



2. Write background calibration command (0x7C06) to register Calibration Command (0x82)



3. Read register Calibration Status (0x81)



Calibration status register = 0x20 means background calibration succeeded.

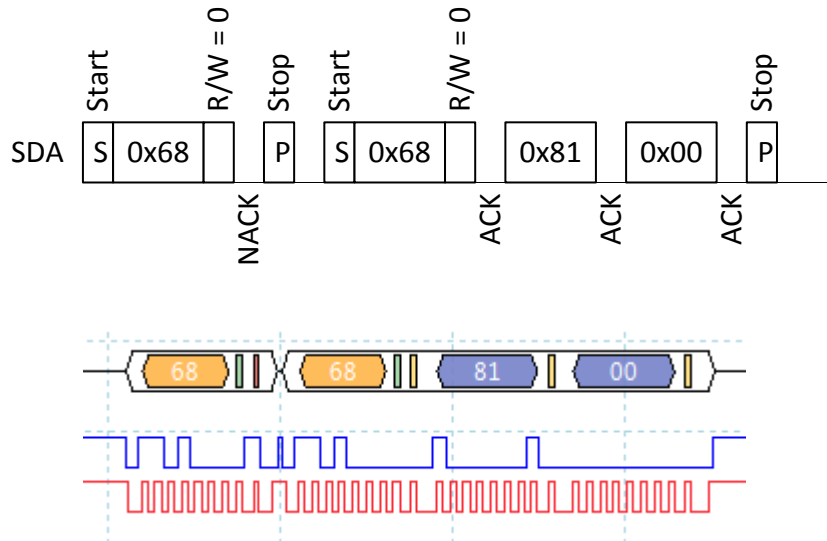
To achieve best possible result from calibration it is important that the sensor is in a stable environment.



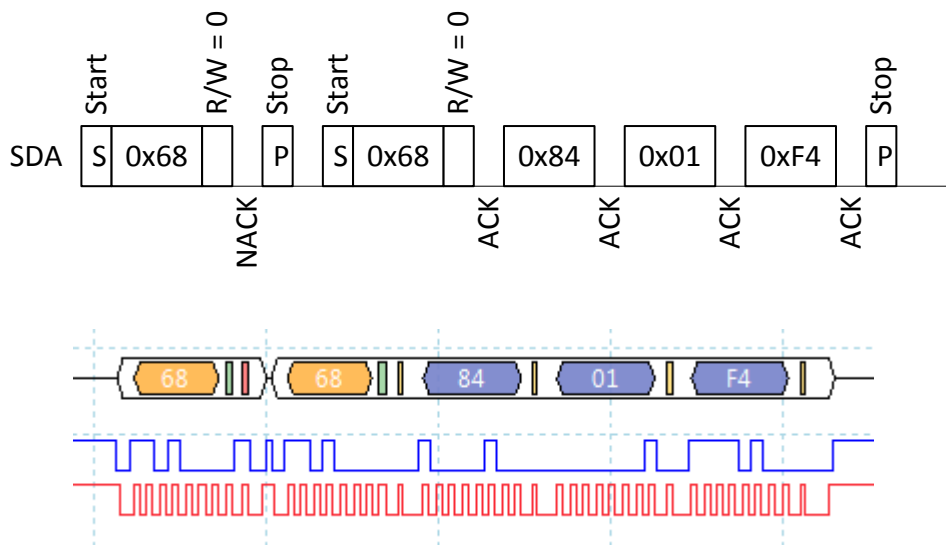
### 3.7.2 Target Calibration

Example how to calibrate against target 500 ppm.

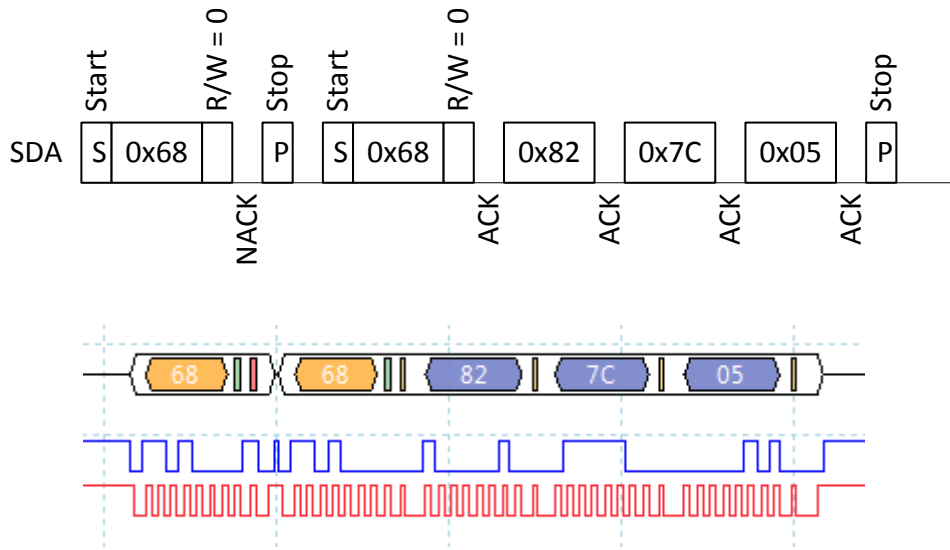
1. Start to clear register Calibration Status (0x81)



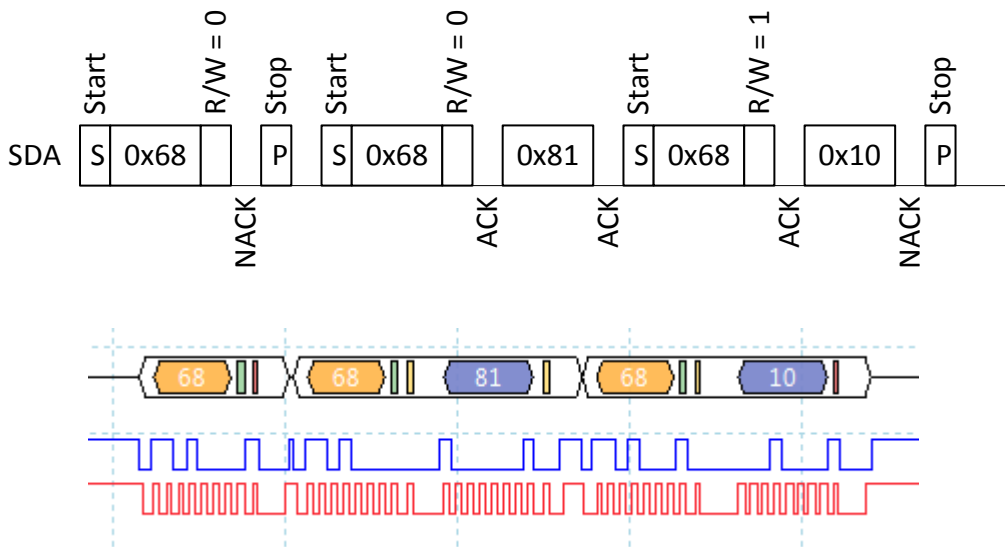
2. Write calibration target 500 to register Calibration Target (0x84)



3. Write calibration command (0x7C05) to register Calibration Command (0x82)



4. Read status from register Calibration Status (0x81).

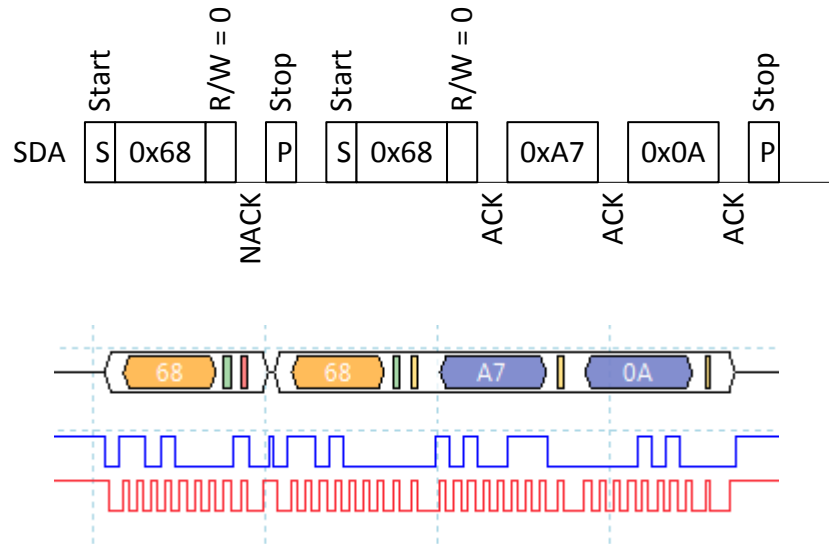


Calibration status register = 0x10 means target calibration succeeded.

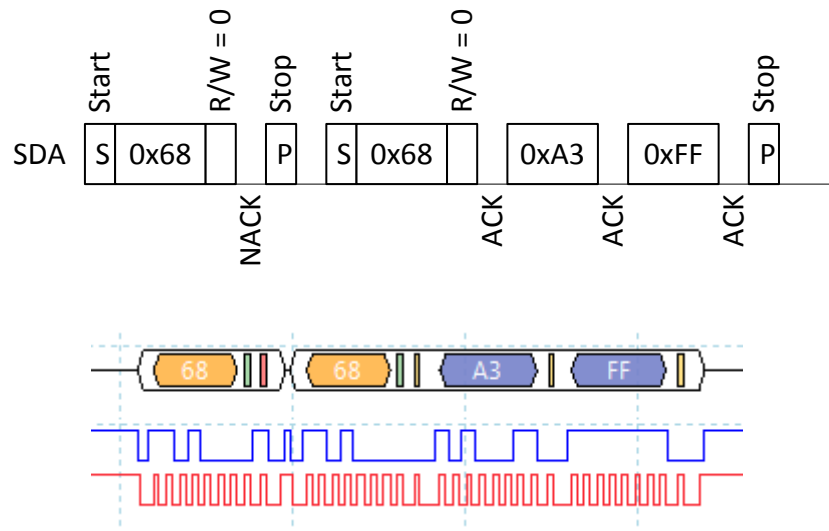
### 3.8. I<sup>2</sup>C address

Set sensors I2C address to 10.

1. Write 10 to register MB/I2C (0xA7)

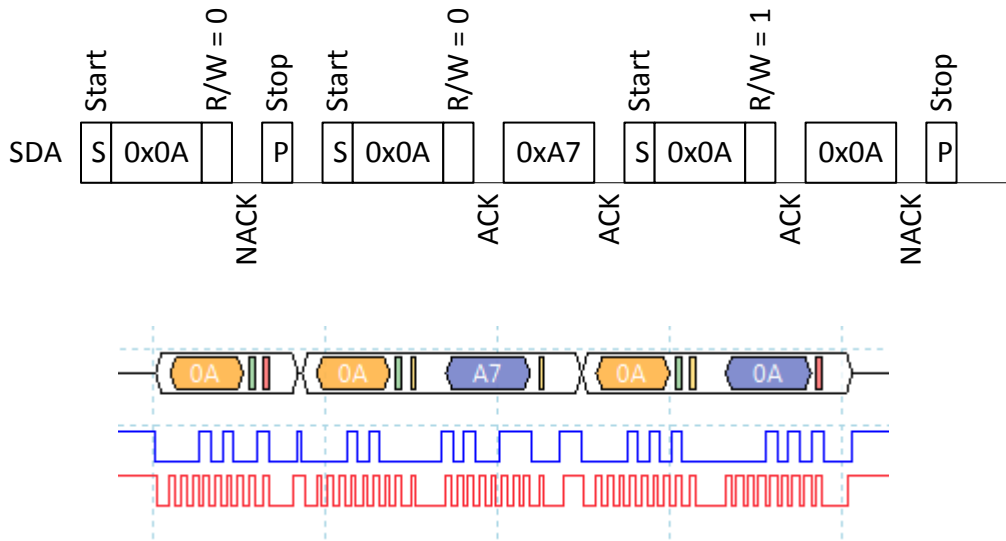


2. Write 0xFF to register SCR (0xA3) to reset sensor (still use address 0x68)



An alternative to write reset command is to power off/on the sensor.

3. Read register MB/I2C (0xA7) using address 10.



**Contact us: We're here to help!**

If the troubleshooting guide above doesn't help you solving your problem or for more information, please contact us using the information below.

- ✉ Support@CO2Meter.com
- ☎ (386) 256-4910 (M-F 9:00am–5:00pm EST)
- 🌐 [www.CO2Meter.com](http://www.CO2Meter.com)
- See CO2Meter, Inc. Terms & Conditions at: [www.CO2Meter.com/pages/terms-conditions](http://www.CO2Meter.com/pages/terms-conditions)



**CO2Meter, Inc.**  
 131 Business Center Drive  
 Ormond Beach, FL 32174  
 Phone: 386-872-7665 | Fax: 866-422-2356  
 Email: Sales@CO2Meter.com

Ref. No.:062017