

D260 RANGE Overview:

PUMP TECHNOLOGY

The D260 range of pumps are constructed from glass filled nylon or stainless steel with stainless steel tubing connectors. They are fixed with Viton diaphragm and valves as standard but alternative elastomer options are available enabling this pump range to be adapted to most applications. The pump uses efficient barbed style connectors designed for 2.4mm bore flexible tubing

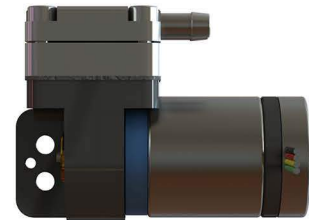
KEY FEATURES

- High Efficiency
- Variable flow rate and low power consumption
- Small size only 39 x 28 x 17 mm
- Usable with solar power, PSU or batteries
- Wide range of chemical resistance
- Light weight 43-49g
- Head can be realigned to one of 4 positions for easy inlet and outlet tube connection

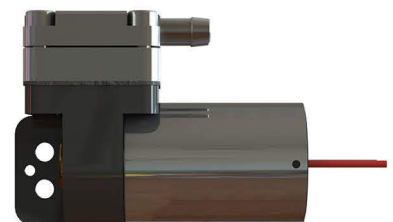
TYPICAL APPLICATIONS

- Medical devices
- Analysis Systems
- Gas detection and monitoring
- Cooling Systems
- Precision Flow
- Battery + Solar Operated Systems

BRUSHLESS MOTOR VARIANT

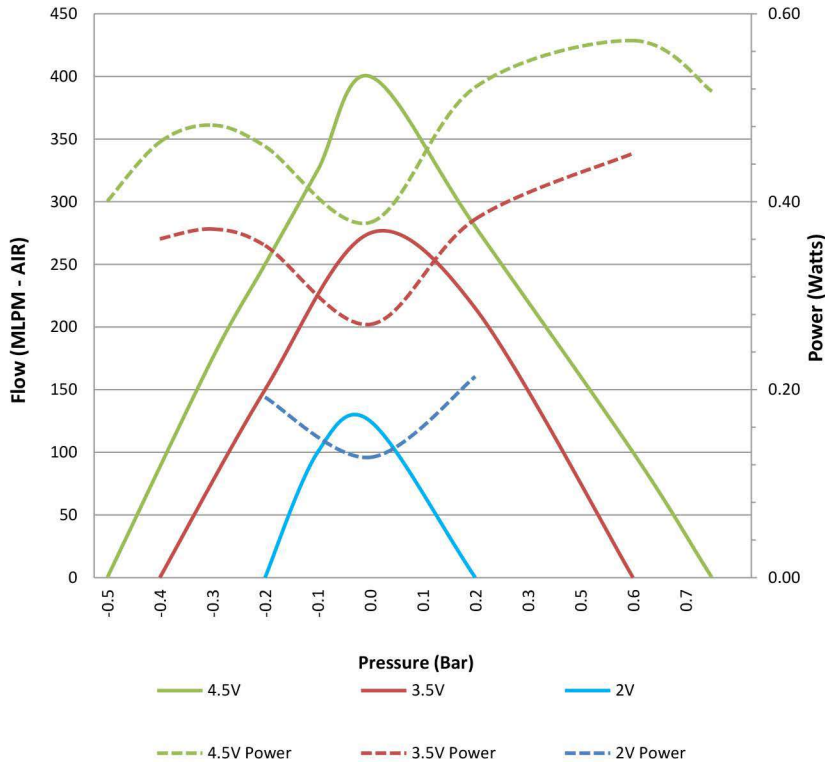


S - MOTOR VARIANT



D260 RANGE Performance:

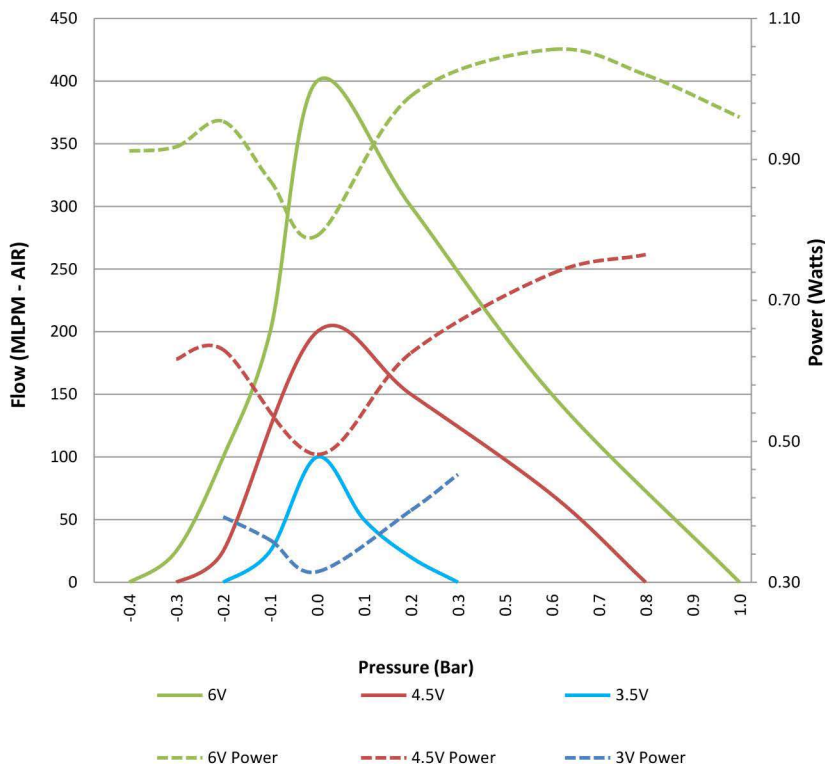
D260-S Performance range:



The D260 RANGE come in 2 different motor options that can make your pump more suited to your requirements, these motors are the standard 'S' motor or a brushless motor (BLX).

	Varients	S Motor	BLX Motor
Voltage (Volts)	Minimum	2v	3v
	Maximum	4.5v	6v
Power (Watts)	Minimum	0.1	0.2
	Maximum	0.6	1.1
Flow (LPM-AIR)	Minimum	0.05	0.05
	Maximum	0.4	0.4
Max Pressure (Bar)	Minimum	-0.5	-0.4
	Maximum	0.8	1.0

D260-BLX Performance range:



- **Small size:** 39 x 28 x 17mm
- **Weight** 'S' stock pumps 49 grams
'BLX' stock pumps 43 grams
- **Operating temp:** 0-80 deg C
- **MTBF** 'S' stock pumps 5,000hrs
'BLX' stock pumps 10,000hrs
- **IP Rating** IP41
- **Noise levels** 15dB
(above 42dB ambient workshop)

Wetted parts

- 316 Stainless Steel
- Silicon Valves + Nitrile Diaphragm (SN), Viton (V) or EPDM (E)

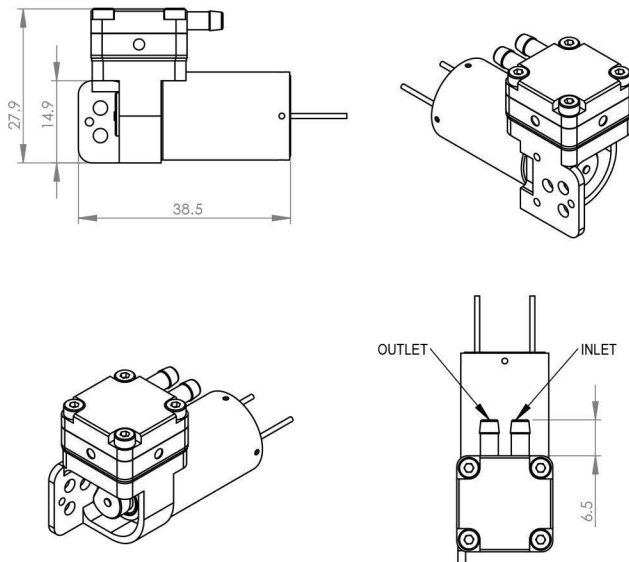
Other Optional Parts

- Hybrid Bearing (H)

D260 RANGE Dimensions:

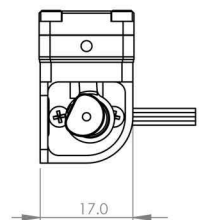
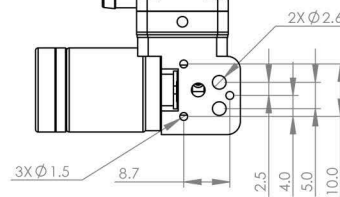
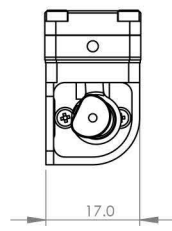
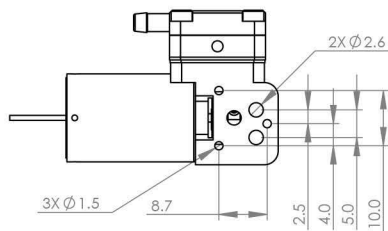
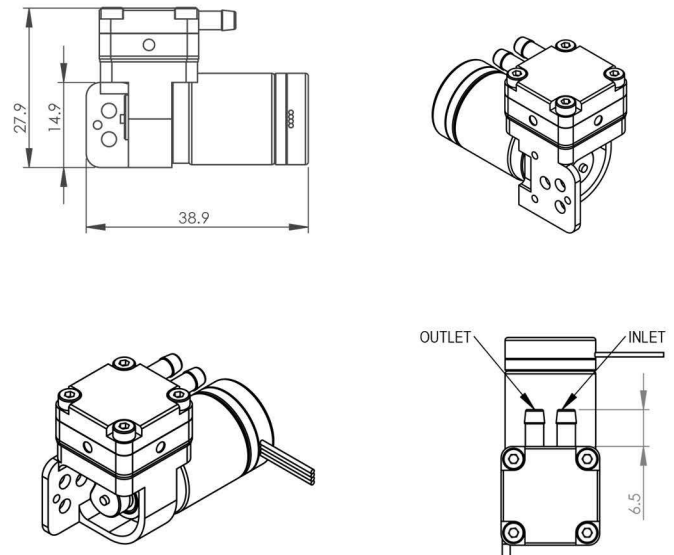
S - MOTOR DIMENSIONS:

CONNECTORS TO SUIT 2.4MM ID FLEXIBLE TUBING



BLX - MOTOR DIMENSIONS:

CONNECTORS TO SUIT 2.4MM ID FLEXIBLE TUBING



TSO: Bespoke and custom solutions:

TCS Micropumps offers an innovative, 'outside-the-box' approach to designing and developing pumps that puts the company in a unique position to fulfil almost any client pump requirements via a bespoke design service, whether they be for small or large projects.

'TSO' (TCS SPECIAL OPERATIONS) is our significant and growing R&D department that is driving the company's future forward, providing solutions ranging from a simple modification to a product from our core range, through to a new, unique solutions developed and tailored exactly to meet the client's needs. Custom & Bespoke solutions are offered as an aim to always meet all the client's specifications.

TSO bespoke solutions may be subject to an NRE charge and this is calculated on the cost for us to develop, source, build, test and supply fully operational prototypes.

if you have a specific requirement that demands a unique pump or system, contact us at Enquires@micropumps.co.uk



www.micropumps.co.uk