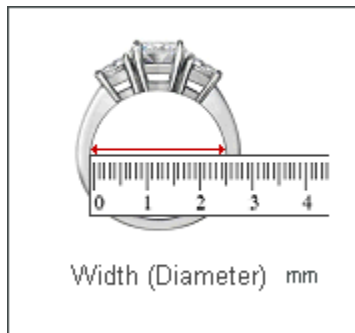


Find Your Perfect Fit – Measure Your Own Ring

- 1) To find an approximate ring size, measure the width (diameter) of a ring you currently wear.
- 2) Or, measure the circumference of your finger with a strip of paper or a string.
- 3) Find the nearest measurement on the chart.
- 4) If unsure between two sizes, choose the larger size.



Size:	Circumference:		Width:	
	inches	millimeters	inches	millimeters
0	1.44	36.5	0.46	11.6
1	1.54	39.1	0.49	12.4
2	1.64	41.6	0.52	13.3
3	1.74	44.2	0.55	14.1
4	1.84	46.7	0.59	14.9
5	1.94	49.3	0.62	15.7
6	2.04	51.8	0.65	16.5
7	2.14	54.4	0.68	17.3
8	2.24	56.9	0.71	18.1
9	2.34	59.5	0.75	18.9
10	2.44	62.1	0.78	19.8
11	2.54	64.6	0.81	20.6
12	2.64	67.2	0.84	21.4
13	2.74	69.7	0.87	22.2
14	2.85	72.3	0.91	23.0