

# OWNER'S MANUAL

# *RockerGLIDE*<sup>TM</sup> by *WhisperGLIDE Swing Co., LLC*

## **Compact Two-Bench Glider #700 SERIES MODEL & ACCESSORIES**



### ***Contents***

Introduction & Important Information .....	Page 2
Tools Required for Installation .....	Page 3
Fastener Kit Identification .....	Page 3
<i>RockerGLIDE</i> Overall Dimensions .....	Page 4
Assembly Instructions .....	Pages 5 to 7
Safety Instructions .....	Page 8
Glider Use Instructions .....	Page 8
Maintenance .....	Page 9
Cushion Care .....	Page 10
Warranty .....	Page 11

***America's Finest Therapeutic Swings!***

# Introduction & Important Information

Thank you for purchasing a *RockerGLIDE*™ a product of the *WhisperGLIDE*® Swing Company.

**This manual covers** its specifications, installation, use and maintenance. **Read this manual** to learn how to operate and care for your *RockerGLIDE*. Failure to do so could result in personal injury or equipment damage.

**Do not throw away this manual.**

Keep in a safe location for future reference.

All information, illustrations and specifications in this manual are based on the latest information available at the time of publication. The right is reserved to make changes at any time without notice.

For information regarding *WhisperGLIDE*® Swings and accessories, contact:

**WhisperGLIDE® Swing Company, LLC**

P.O. Box 188, Mosinee, WI 54455

swings@whisperglide.com

Tel. 1-800-944-7737

FAX 1-715-660-8042

**www.whisperglide.com**

**Intended Use of the *RockerGLIDE*:**

The *RockerGLIDE* is designed with user safety in mind. However, as with all mechanical equipment, there are potential hazards which could result in injury to persons, and/or structural damage to the equipment, if the glider is improperly used or improperly supervised. The *RockerGLIDE* is designed for *gentle back-and-forth rocking and gliding motion*. It is NOT intended for rigorous aerobic or cardiovascular exercise. Use only under adult or caregiver supervision.

The *RockerGLIDE* is NOT public playground equipment. This product is outside the scope of the U.S. Consumer Product Safety Commission's (CPSC) definition of "public" playground equipment and outside the scope of the American Society of Testing and Materials (ASTM) Standard Consumer Safety Performance specification for Playground Equipment for Public Use. To reduce the potential for misuse of the *RockerGLIDE* as children's play equipment, and the potential for any related injuries, DO NOT place the *RockerGLIDE* in or near child play areas where unsupervised access exists. If the glider is transferred to another owner, notify *WhisperGLIDE* Swing Company at 1-800-944-7737 and make the transferee aware of the above information.

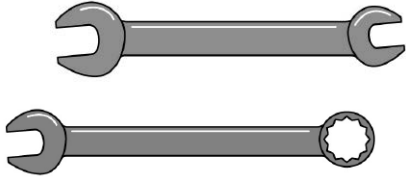
If the swing is transferred to another owner, notify *WhisperGLIDE* at 1-800-944-7737 and make the transferee aware of the above information.

## PRIMARY COMPONENTS

<i>The RockerGLIDE</i>	<i>Materials</i>
Floor Platform, Floor Support Frame, Seat Assembly Components, Seat Support Frame	Aluminum
Seats, Arm Rests, Hand Rail	Vinyl coated steel / Aluminum
Fastener Nuts and Bolts	Stainless steel
Table	Fiberglass
Powder-coat paint finish	Polyester

<i>The RockerGLIDE Cushions</i>	<i>Material</i>	<i>Comment</i>
<b>WhisperGLIDE Series 600 Fabric -</b> EarthBright, Sea Breeze, Chesterfield, Autumn Fern, Elizabeth	Vinyl-coated polyester	Meets flammability rating CS191-53/CA 117E
<b>WhisperGLIDE Series 600 Fabric -</b> Forest Green, Basketweave	Vinyl-coated olefin	
<b>Cushion fill</b>	Polyester fiber	

# Tools Required for Installation



**Use for Hand-Rails and Table:**  
One 1/2" wrench and one 9/16" wrench  
or adjustable wrenches

**Use for Platform base bolts:**  
One 9/16" wrench  
or 9/16" socket wrench, or adjustable wrench



**NOTE: USE ONLY HAND WRENCHES**

**DO NOT** USE ELECTRIC WRENCHES, OR AIR-POWERED WRENCHES FOR SWING ASSEMBLY.

## Fastener Kit Identification

The fastener kit contains labeled "subkits" for easy assembly of the swing.  
Also, you can use the actual size fastener codes, identified below, for cross-reference.

**A** 3/8"-16 x 1-1/4" long



**A = Seats to Platform and  
Floor Support Frame to Platform (20)**

**B** 5/16"-18 x 2-1/4" long



**B = Handrail to Floor Support Frame (2)  
with Acorn Nut (2)**

NOTE: In Step Four, you will find the the Acorn Nuts and Bolts are packaged with the Table Handrails.

In Step Five, the Acorn Nuts and Lock Washers are already fastened to the imbedded Bolts in the Table.

*For Additional Information  
Check us out on our Website, or call us!*  
**1-800-944-7737**

© October 2019, WhisperGLIDE Swing Co.

**Use Inside or Outside**



*Experience the Feeling!*

**WhisperGLIDE®**  
SWING CO. LLC

AMERICA'S FINEST THERAPEUTIC SWINGS

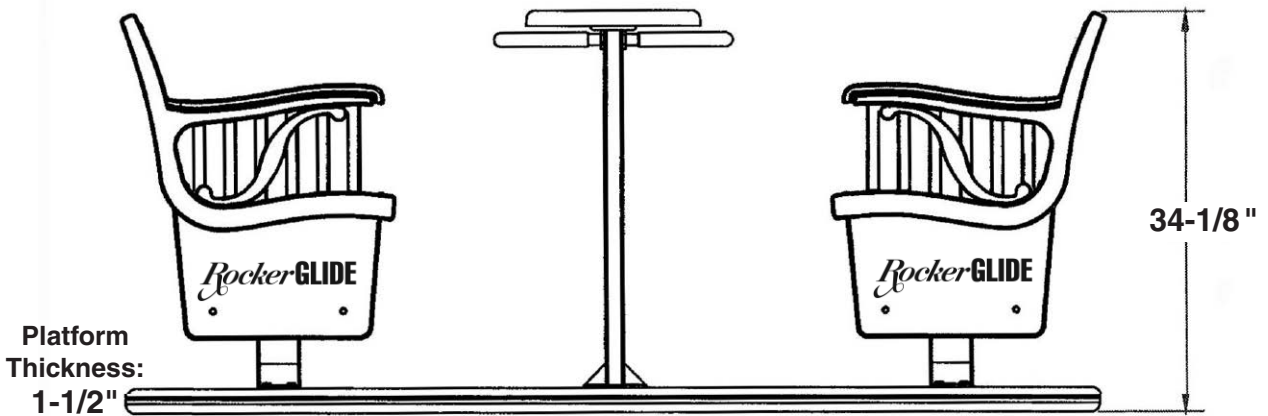
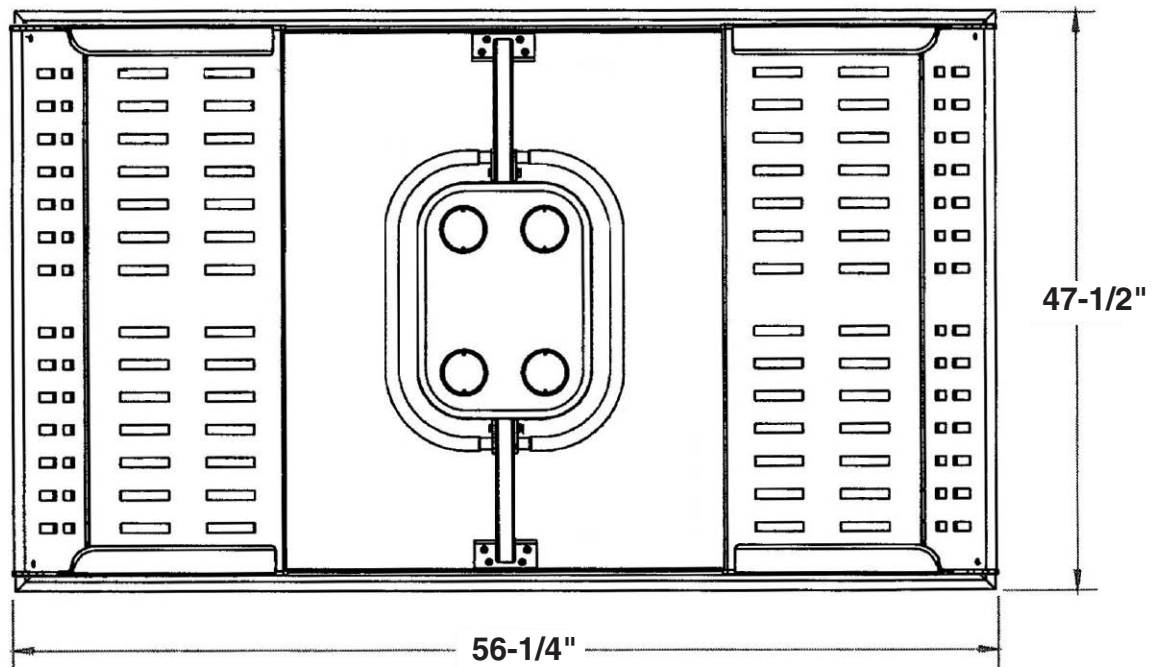
P.O. Box 188, Mosinee, WI 54455

email: [swings@whisperglide.com](mailto:swings@whisperglide.com)

FAX: 1-715-457-0048 • [www.whisperglide.com](http://www.whisperglide.com)

# RockerGLIDE Dimensions

RockerGlide – Top View



RockerGlide – Side View

## Location Considerations – Must be placed on a level surface.

Allow adequate space to assist movement of a person who uses a walker or wheelchair.

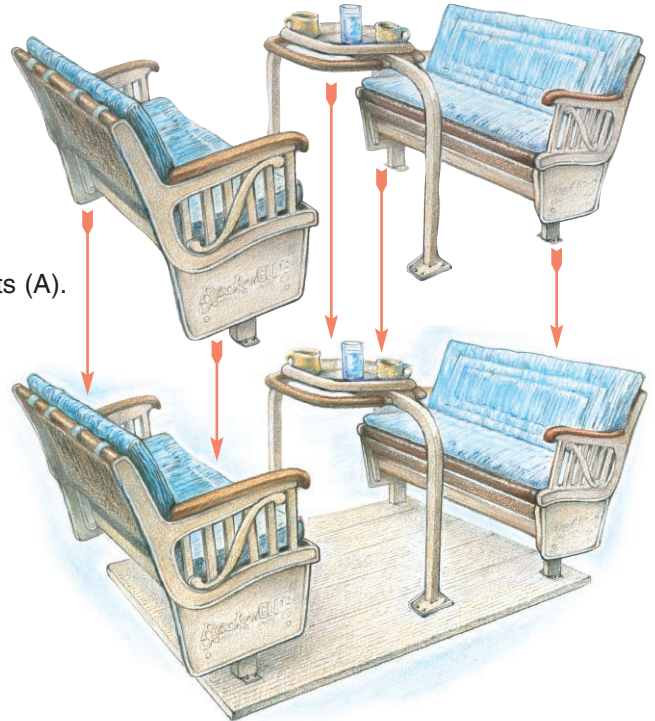
Allow an additional 2 feet on each end of the glider to give ample space when glider is in motion.

## ***Step One: Placement of the Platform***

With the assistance of at least two people, place the platform base in the desired location. Verify that that the placement meets all of the location considerations stated on the previous page.

## ***Step Two: Mounting the Seats***

- Two people are required to lift the seat assembly and place it onto the platform.
- Align the holes in the seat support base with the holes at the end of the platform.
- Have one person hold the seat assembly in place while the other person inserts and finger tightens the eight bolts (A).
- Once all eight bolts are fully seated into the platform, then tighten each bolt using a 9/16" wrench or socket wrench.
- Repeat the above steps for the opposite seat.



## ***Step Three: Mounting the Floor Support Frame***

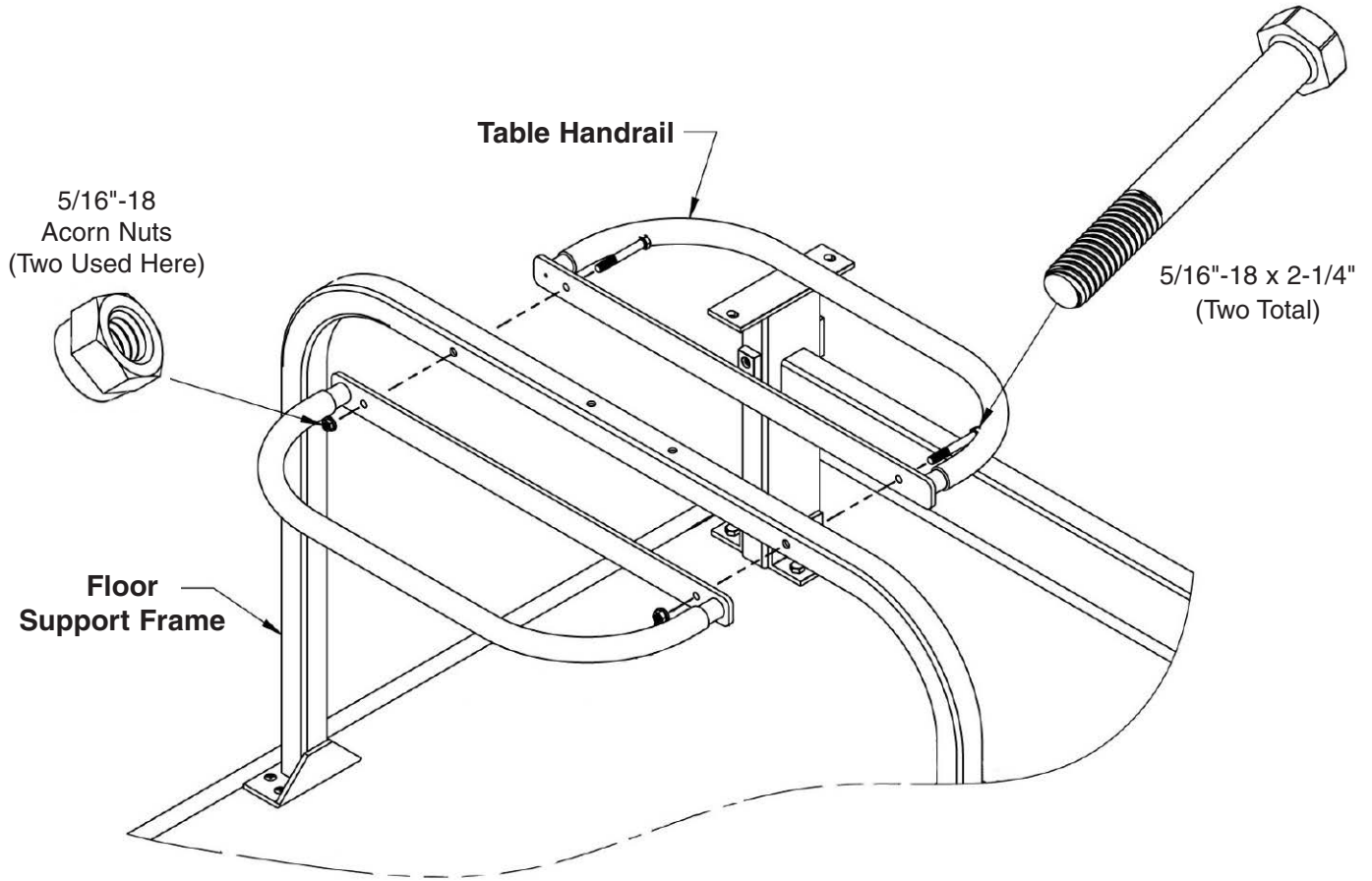
- Place the floor support frame onto the platform so the holes align with the holes in the middle of the platform.
- Have one person hold the floor support frame while the other person inserts and finger tightens the four bolts (A), two on each side.
- Once all four bolts are fully seated into the platform, then tighten each bolt using a 9/16" wrench or socket wrench.



## ***Step Four: Table Handrails Assembly***

The Nuts and Bolts (**B**) are packaged with the Table Handrails.

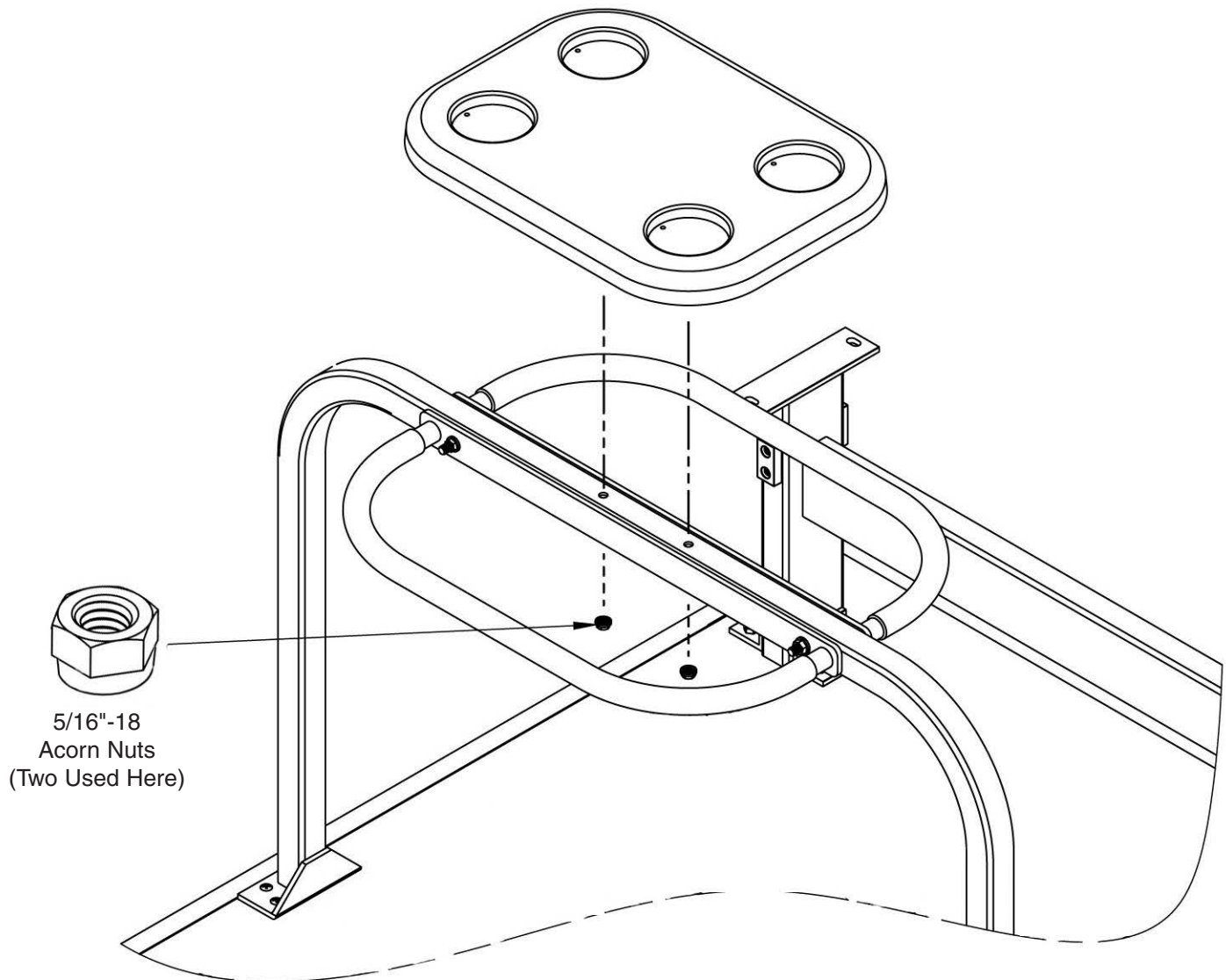
Align both sides of the Table Handrails with the holes in the Floor Support Frame, insert the Bolts and securely fasten the Acorn Nuts using one 1/2" wrench and one 9/16" wrench (or adjustable wrenches).



## ***Step Five: Table Assembly***

The nuts and lock washers are already fastened to the imbedded bolts in the Table.

Remove nuts and lock washers, insert Table bolts into the Floor Support Frame and securely fasten the Nuts using a using a 1/2" wrench, a 9/16" wrench (or adjustable wrenches).



# ***Safety Instructions for RockerGLIDE***

---

The *RockerGLIDE*® is designed with user safety in mind. However, as with all mechanical equipment, there are potential hazards which could result in injury to persons, and/or structural damage to the equipment if the swing is improperly used or improperly supervised.

**The *RockerGLIDE*® is designed for *gentle back-and-forth gliding motion*.**

It is NOT intended for rigorous aerobic or cardiovascular exercise.

Use only under adult or caregiver supervision.

## **Read the Following Safety Instructions Prior to Glider Use**

- **Use only under supervision** of an individual who is responsible for safe use of the glider.
  - To reduce risk of injury, **ALWAYS stay seated**, sitting upright, with hands and feet inside the seat area when the glider is in motion.
    - **Do Not** lean sideways past arm rests.
    - **Do Not** allow children to stand on glider seats.
    - **Do Not** enter or exit glider when in use.

## ***Glider Use Instructions***

---

### ***The RockerGLIDE™***

1. Assist resident onto glider, encouraging use of safety floor support frame and table handrail.
2. Seat yourself on opposite side of glider.
3. Gently glide by using hands on the table handrail bar or feet on the platform.



- To reduce risk of injury, **ALWAYS stay seated**, sitting upright, with hands and feet inside the seat area when the glider is in motion.
- **Do Not** lean sideways past arm rests.
- **Do Not** enter or exit while the swing is moving.
- **Do Not** allow children to stand on glider seats.



# Maintenance of your RockerGLIDE™

---

<b>Maintenance &amp; Cleaning</b>	
General	<b>Check all fasteners at least once per year for tightness.</b> To extend the life of your glider, clean it on a regular basis, at least once or twice a year. For gliders placed outdoors, periodically powerwash with a strong stream of water. This will help remove dust, pollens, and other pollutants.
Frame, Floor Handrail	<b>Clean with a soft cloth.</b> Use a non-abrasive cleaner to remove any scuff marks. If necessary, touch-up any nicks or scratches with paint. <b>Using automotive wax</b> once or twice a year can help to maintain luster, protect finish and make washing and cleaning easier.
Cushion Fabric	For gliders placed indoors, periodically brush-vacuum the cushions. <b>Treat stains promptly.</b> See Cushion Care in this manual. Many stains can be removed with a solution of mild detergent and water. Rinse thoroughly until the water runs clear. If you use a more abrasive cleaner, test the cleaner first on a small area of the fabric.
Table Top	Clean regularly with a soft cloth, a mild laundry detergent and warm water. Dried stains: presoak with sudsy cloth; clean with warm water. <b>Do not</b> use solvents, harsh janitorial cleaners, or scouring agents.
Platforms, Seats, Armrests	These closed-cell vinyl-coated parts can be cleaned using a solution of mild, soapy warm water. Rinse well, with hose if possible. <b>Do Not</b> use harsh abrasives or chemicals, as they may react with the vinyl.
<b>Storage of An Outdoor RockerGLIDE</b>	
Storage	<i>RockerGLIDE</i> may remain outdoors throughout the twelve months of the year. Remove cushions for the offseason. Clean and dry cushions thoroughly before storing. <b>Cover the seats and platform</b> with heavy plastic or tarp. This will reduce spring clean-up and extend the life of your swing.

# Cushion Care for your *RockerGLIDE*™

---

TEXTILENE®: Fabric Names:  
Basketweave, EarthBright, Autumn Fern,  
Forest Green, Sea Breeze, Chesterfield, Elizabeth

**Common Dirt:** Treat stains promptly with warm water and strong detergent. Rinse thoroughly with clear water and dry completely.

**Beer or Coffee:** Use strong liquid detergent with warm water and white vinegar.

**Oil or Grease:** Use bleach and rubbing alcohol.

**Berry Juices, Wine or Blood:** Use strong liquid detergent, warm water and ammonia.

**Mildew:** Use strong detergent with a 20% solution of bleach and warm water.

**Common Dirt:** Spot wash by sponging briskly with a lukewarm solution of mild soap and water. Sponge thoroughly to remove soap, let air dry. Do not use oil cleaners.

**Suntan Oil:** Use solution recommended by suntan oil supplier. Follow directions on container. Sponge thoroughly to remove soap residue.



## Outdoor Glider Mildew Advisory

---

Mildew is a fungus growth that looks like dirt but will not be completely removed with detergent. Mildew spores not destroyed or removed by detergent cleansing will grow after the cleaning.

TEXTILENE® and Leisuretex® are mildew resistant. The vinyl of the *RockerGLIDE* seats, floor and arms rests is also mildew resistant. In most areas of the country, under ordinary conditions, mildew will not appear. However when high temperature and humidity are common, mildew can be a problem.

A bleach solution CAN be used on Textilene fabrics, but NOT on Leisuretex fabrics.

See above *RockerGLIDE* Cushion Care. If you see mildew on the seats or floor, or do not see any but know it is a problem in your area, periodically scrub or sponge the vinyl with a power washer OR a solution of 1 part bleach to 4 parts water OR a commercial mildew remover (such as Tilex®). Rinse thoroughly. Avoid skin and eye contact when working with bleach solutions.



# WhisperGLIDE® Swing Company LIMITED WARRANTY

## RockerGLIDE® Warranty Coverage

The *WhisperGLIDE* Swing Company warranty for the *RockerGLIDE* covers all defects in workmanship or materials, to the original purchaser only, for the following conditions and periods of time:

- **10 years** from date of purchase  
Metal frames – defects in metal tubing, broken welds from normal use
- **5 years** from date of purchase  
Powder-coat finish – peeling, cracking or blistering under normal conditions
- **2 years** from date of purchase  
Cushions – fabric, stitching and snaps under normal use and care

## WhisperGLIDE® Warranty Does Not Cover:

- Product that has not been maintained per *WhisperGLIDE*'s maintenance instructions
- Oxidation resulting from exposed metals which have been scratched or not maintained
- Unreasonable use
- Normal mildew or fade
- Table breakage due to impact
- Problems resulting from neglect by original purchaser
- Unauthorized repairs made or attempted
- Returns without prior authorization from the *WhisperGLIDE* customer service department
- Damage due to situations including, but not limited to, falling objects, storm, earthquake, tornado, flood, explosion, and fire.

## What you can expect from quality *WhisperGLIDE*® Products

*WhisperGLIDE* products represent the finest in craftsmanship and quality. Under normal use, however, expect to see some effects from various environments. For example, this may include some color fading on fabrics, PVC components or the painted aluminum frame. It is therefore necessary to care for your swing as outlined in the maintenance instructions.

## WhisperGLIDE's Obligations

*WhisperGLIDE* will, at our option, repair or refinish or replace, OR provide the necessary materials or components to repair or refinish or replace, with same or similar product if discontinued, the defective product or part during the periods listed above, to the original purchaser only. If provided, the repaired or replaced component will be of comparable value or the same as the original part or product.

## Obtaining service from *WhisperGLIDE* Swing Company

Contact the *WhisperGLIDE* Swing Company corporate office at 1-800-944-7737 or [swings@whisperglide.com](mailto:swings@whisperglide.com)



*WhisperGLIDE*®  
SWING CO. LLC

AMERICA'S FINEST THERAPEUTIC SWINGS

© Copyright 2019 *WhisperGLIDE* Swing Co., LLC