

OWNER'S MANUAL

Whisper **GLIDE**[®] SWING CO. LLC

AMERICA'S FINEST THERAPEUTIC SWINGS

Wheelchair Accessible Swing #601 SERIES MODEL & ACCESSORIES



Contents	Introduction & Important Information	Page 2
	Swing Specifications & Parts Identification	Page 3
	Canopies, Cushions & Lap Bar	Page 4
	Site Selection Requirements	Page 5
	Tools Required for Installation	Page 5
	Fastener Kit Identification	Page 6
	Assembly Instructions	Page 7-14
	Safety Instructions	Page 15
	Maintenance	Page 16-17
	Warranty	Page 18

America's Finest Therapeutic Swings!

Introduction & Important Information

Thank you for purchasing a *WhisperGLIDE*® Swing!!

This manual covers specifications, installation, use, and maintenance for the following:

- Model 601 wheelchair-accessible *WhisperGLIDE*® Swing
- *WhisperGLIDE*® Canopies
- *WhisperGLIDE*® Cushions
- *WhisperGLIDE*® Lap Bars

Read this manual to learn how to properly assemble and care for your *WhisperGLIDE*® Swing. Failure to do so could result in personal injury or equipment damage.

Do not throw away this manual.

Keep in a safe location for future reference.

All information, illustrations and specifications in this manual are based on the latest information available at the time of publication. The right is reserved to make changes at any time without notice.

For information regarding *WhisperGLIDE*® Swings and accessories, contact:

***WhisperGLIDE*® Swing Company, LLC**
swings@whisperglide.com
Tel. 1-800-944-7737
Fax 1-715-457-0048
www.whisperglide.com

Intended Use of *WhisperGLIDE*® Swings:

The *WhisperGLIDE*® Swing is designed with user safety in mind. However, as with all mechanical equipment, there are potential hazards which could result in injury to persons, and/or structural damage to the equipment, if the swing is improperly used or improperly supervised.

The *WhisperGLIDE*® Swing is designed for gentle back-and-forth swinging motion. It is NOT intended for rigorous aerobic or cardiovascular exercise.

USE ONLY UNDER ADULT OR CAREGIVER SUPERVISION TRAINED IN THE USE OF THE SWING.

WhisperGLIDE® Swings are **NOT** public playground equipment. The swings are outside the scope of the U.S. Consumer Product Safety Commission's (CPSC) definition of "public" playground equipment and outside the scope of the American Society of Testing and Materials (ASTM) Standard Consumer Safety Performance Specification for Playground Equipment for Public Use.

To reduce the potential for misuse of the *WhisperGLIDE*® Swing as children's play equipment, and the potential for any related injuries, **DO NOT** install the *WhisperGLIDE*® Swing in or near child play areas where unsupervised access exists.

If the swing is transferred to another owner, notify *WhisperGLIDE* at 1-800-944-7737 and make the transferee aware of the above information.

Experience the Feeling!

***WhisperGLIDE*®**
SWING CO. LLC

AMERICA'S FINEST THERAPEUTIC SWINGS

P.O. Box 188, Mosinee, WI 54455

email: swings@whisperglide.com

FAX: 1-715-457-0048 • **www.whisperglide.com**

*For Additional Information
Check us out on our Website, or call us!*

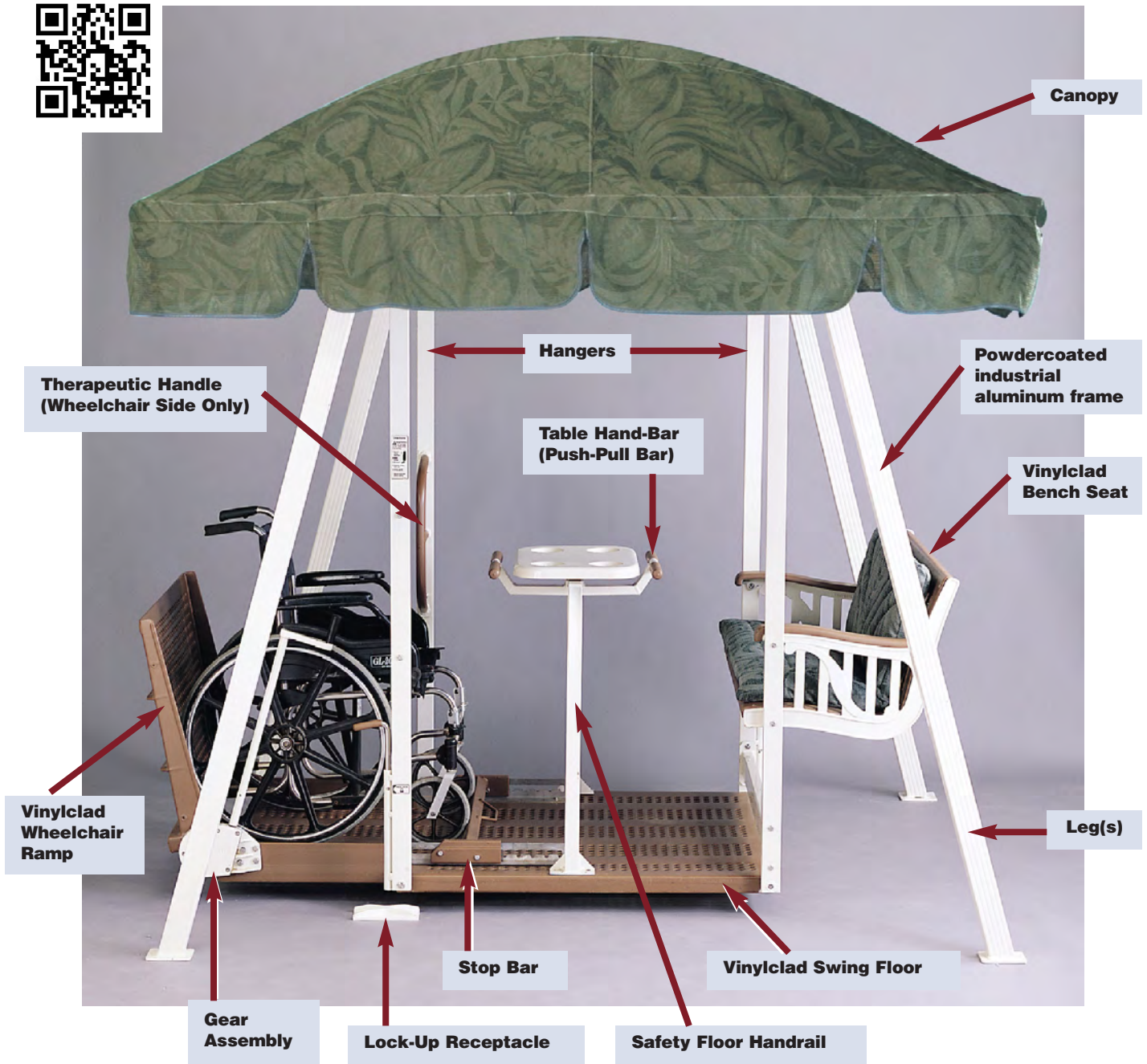
1-800-944-7737

© April 2018, *WhisperGLIDE* Swing Co.



Use Inside or Outside

The 600 Series Adjustable Wheelchair Accessible Swing



PRIMARY COMPONENTS

<i>The WhisperGLIDE Wheelchair Accessible Swing – Model 600</i>	<i>Materials</i>
Frame (legs, hangers, upper assembly); push-pull bar; safety handrail; seat castings	Aluminum
Support & pivot shafts; lock-up shafts; fasteners (nuts, bolts, screws)	Stainless steel
Platform; seat & seat back; wheelchair platform, ramp (wheelchair models)	Vinyl coated steel
Crank handle/gearbox assembly (for wheelchair model ramp/platform)	Aluminum, stainless steel, bronze
Table	Fiberglass
Powder-coat paint finish	Polyester Urethane

NOTE: The Table Bar / Push-Pull Bar was replaced by the Table Bar / HandRail beginning Year 2015.
See Assembly Instructions Step 4-A: Two Bench Platform Assembly.

Canopies & Cushions



Pictured is a sample canopy and cushion from the WhisperGLIDE® product line.

WhisperGLIDE Primary Fabric Components	Material	Comment
WhisperGLIDE Series 600 Fabric – Coffee Linen, Cypress Woods, EarthBright, Fern Dance, Mocha Thyme, Sea Breeze, Sierra Mountain, Terra Sienna, Windsor Trellis, Woodland Green	Vinyl-coated polyester	Flammability rating CS-191-53/CA 117E
WhisperGLIDE Series 600 Fabric – Sahara Beauty	Vinyl-coated polyester	Flammability rating CS-191-53/CA 117E
WhisperGLIDE Series 600 Fabric – Forest Green, Basketweave	Vinyl-coated olefin	Flammability rating CA TB117-2013
Cushion fill	Polyester fiber	

Lap Bar (optional)



Pictured here is a lap bar, intended for use on the bench seat only. When not in use, the lap bar is stored between brackets on outside of upper frame above and behind bench seat.

Component	Material
WhisperGLIDE Series 600 – Lap Bar	Aluminum
Powder-coat paint finish	Polyester Urethane

Installation: Site Selection Requirements

Approximate swing dimensions

Height – 7-ft. 4-in. / Base – 7-ft. x 8-ft.

Location

Place swings in easily accessible and highly visible areas

Surface requirements – A level, flat, hard surface – cement, wood, brick or patio blocks

Space needed – Although when not in use *WhisperGLIDE* Swings require a minimum space of 7-ft x 8-ft, additional space is needed for adequate and safe entry, use and exit. Space requirements also depend on location of swing entry and exit, and your specific needs. If your swing is placed adjacent to walkways, or access to all sides is not necessary, additional space requirements may be reduced.

Wheelchair Accessible Swing: Ideal – 13-ft X 18-ft

Two Bench Swing: Ideal – 13-ft X 14-ft

QUESTIONS? Please call us to discuss your specific situation and space options: 1-800-944-7737

Tools Required for Installation

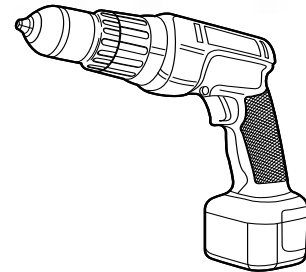


Level

Tape Measure

Electric Drill

One Medium Size
#2 Phillips screwdriver



AND

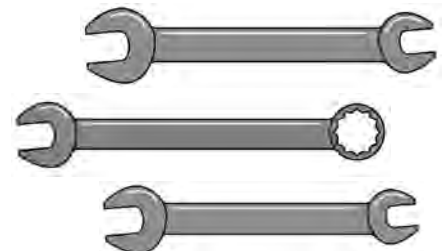
One 1/2-in wrench
one 9/16-in wrench
one 3/4-in wrench

and a socket wrench or adjustable wrench



OR

Two 1/2-in wrenches
one 7/16-in wrench
two 9/16-in wrenches
two 3/4-in wrenches
OR two socket wrenches



NOTE: USE ONLY HAND WRENCHES

DO NOT USE ELECTRIC WRENCHES, OR AIR-POWERED WRENCHES FOR SWING ASSEMBLY.

Fastener Kit Identification

The fastener kit contains labeled "subkits" for easy assembly of the swing.
Also, you can use the actual size fastener codes, identified below, for cross-reference.

A 2-1/4" x 3/8"



I 1-1/2" x 3/8"



B 3-1/4" x 3/8"



K 5/8" x 3/16"



E 1" x 1/4"



L 1-3/4" x 3/16"



F 2" x 5/16"



A = Upper frame splice (8)

B = Legs to Upper frame (4)

E = Floor handrail to platform (8)

Seats to seat end castings:

Wheelchair swing (4)

(Note: Two Bench swing (8))

F = Seat stabilizer bar (8)

Seat to hangers: Wheelchair (4)

(Note: Two Bench (8))

H = Gear Assembly fasteners (4)

I = Ramp to platform (1)

K = Canopy end rail to upper frame (4)

L = Blue Tapcon screws (12)

Lockup receptacles (8)

Leg foot pad (4)

H 1-1/4" x 3/8"



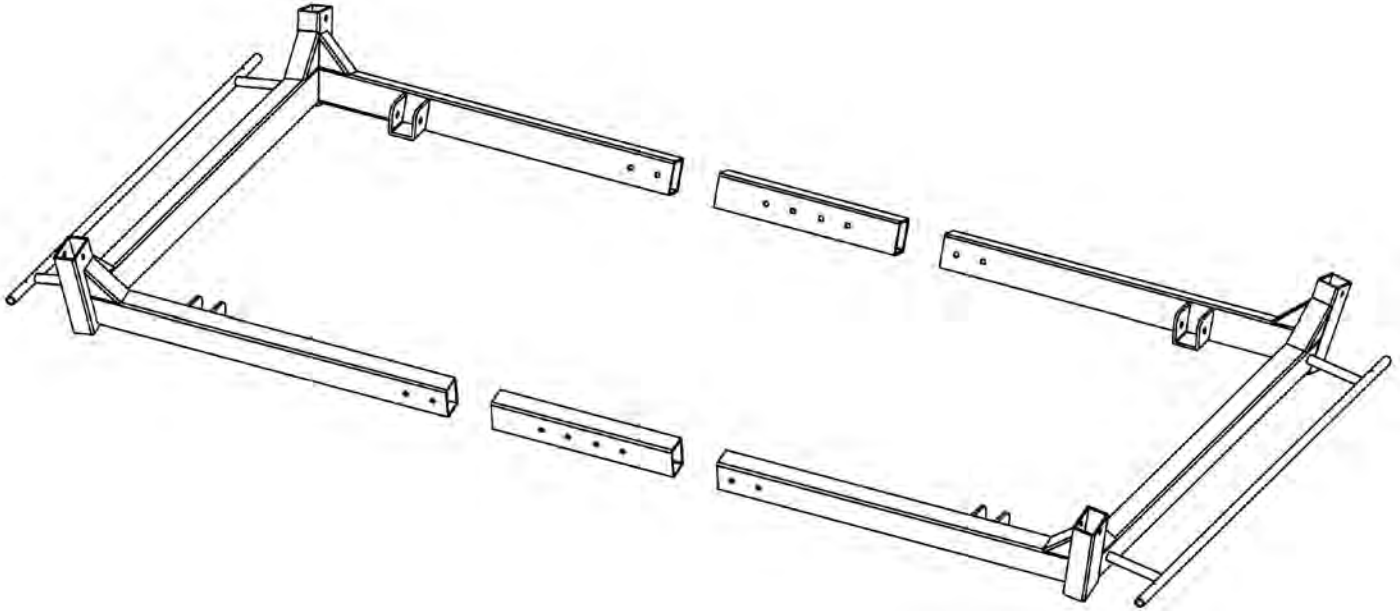
Step One: Upper Frame Assembly

The frame is contained in two identical boxes. One is labeled "OPEN ME FIRST".

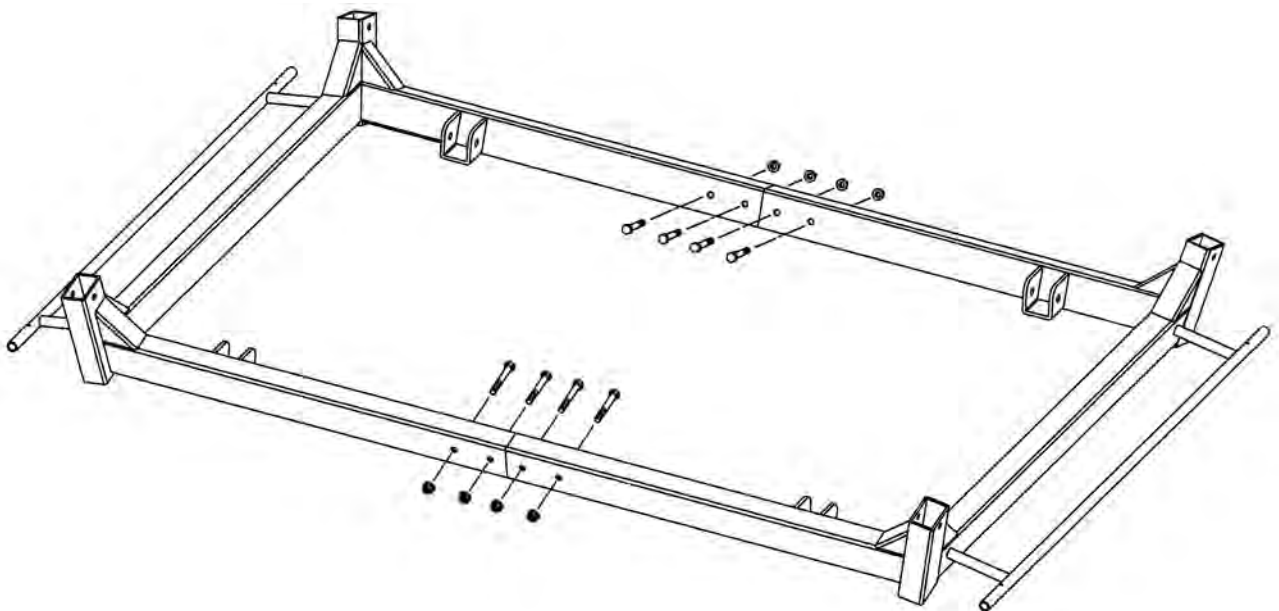
Use hardware contained in the "Frame Assembly Kit" which is located in Box #2.

1. Place both sides of the upper frame upside down on the ground, deck, or patio where the swing will be located.

2. Insert the two anodized rectangular 18" long sleeves from Box #2 into one side of the one upper frame half so the holes in the sleeve line up with the holes in the frame. Open the fastener pack labeled "Frame Assembly Kit". Insert the **2-1/4" bolts (A)** into each of the four holes from inside to outside the frame so the nuts are on the outside.



3. Slide the second half of the upper frame over the 18" sleeves, once again lining up the four holes. Insert the remaining four **2-1/4" bolts (A)** and tighten all **eight** of the flange nuts firmly.



Step Two: Leg Assembly

The legs are contained in the longest box labeled Box #5.

There are two left legs and two right legs.

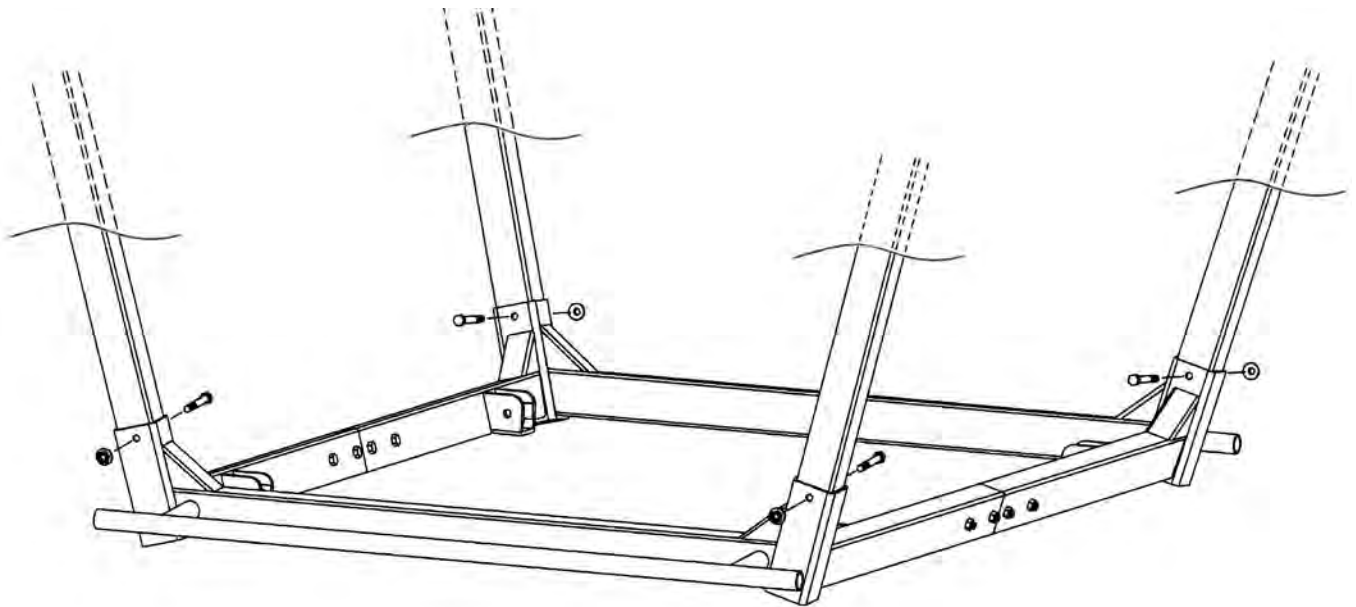
Use the hardware contained in the “Frame Assembly Kit” pack.

1. Note “Left” and “Right” labels on the legs and on the frame.

Position a leg into the appropriate corner; insert the **3-1/4" bolt (B)** and tighten securely the flange nut.

The nuts should be on the outside of the frame. Repeat this on all four legs.

Note: If placing the swing indoors (with low ceiling clearance), insert and fasten two of the legs, lift frame upright. Then insert and fasten the remaining legs.



2. LIFT FRAME and place right side up on the prepared site location.

Check, using a level, to be sure each section of the upper frame is level.

Note: DO NOT anchor the legs to the prepared surface at this point.

Anchoring is one of the final installation steps.

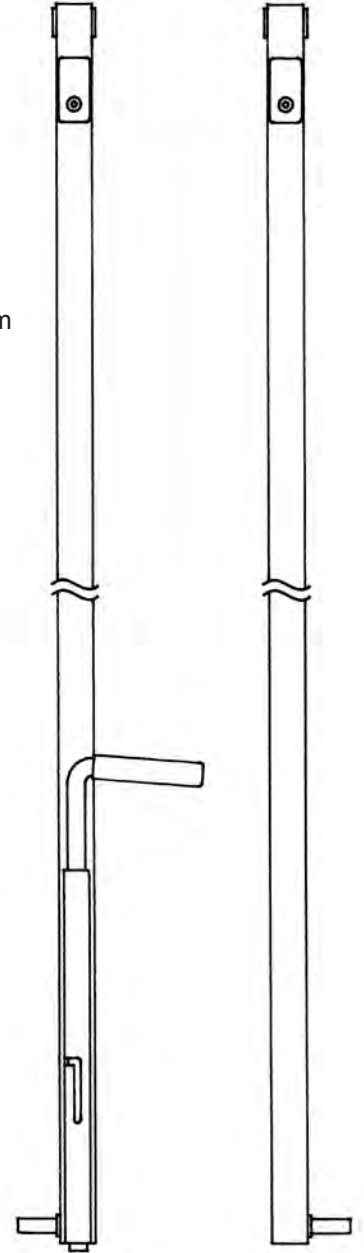
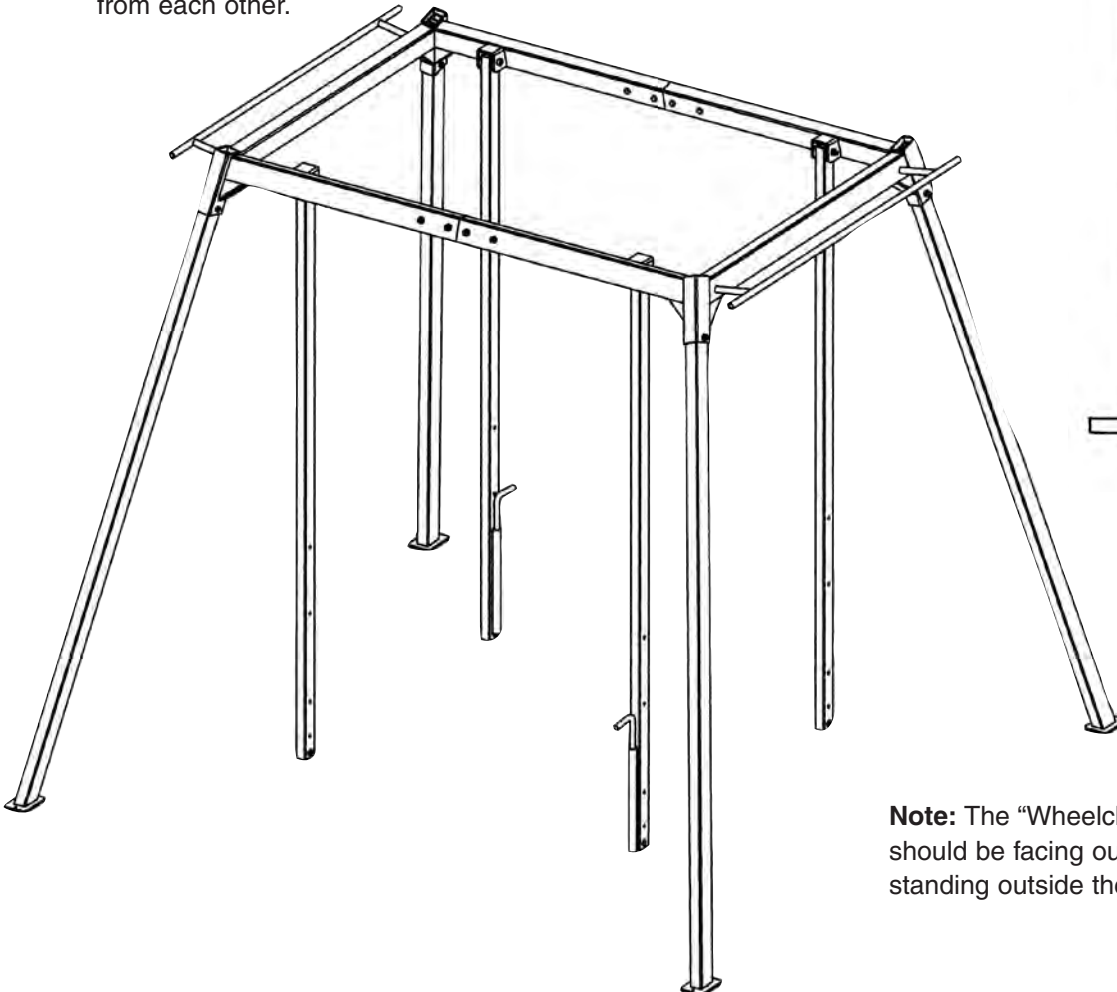
Step Three: Swing Hanger Installation

The swing hangers are contained in the second longest box and labeled Box #4. They connect the upper frame to the platform of the swing. There are two right hangers (these have lock-up shafts) and two left hangers (these do not have lock-up shafts). All four hangers have either a “Left” or “Right” removable labels. The “Right” Labels are on the hangers for the right side of the swing if one is sitting either on the bench seat or the wheelchair. Use the four bolts and nuts that are already attached to the hangers to affix it to the upper frame.

1. Note the top and bottom of the hangers. The stainless steel shafts at the bottom end of each hanger fits into the applicable bronze bushing on the swing platform.

2. The hanger with the lock-up shaft is placed on the right side (assuming you are seated in the wheelchair). The two hangers on the wheelchair side are notably different from the ones on the seat side, with each shaft having a washer and a nut plus the stainless steel shafts are longer. The two hangers also have removable “Wheelchair side” labels. In Step Four, Wheelchair Platform Assembly, these shafts will be inserted into the bronze bushing on the platform and tightly secured by the washers and nuts.

3. The hanger with the lock-up shaft on the right side of the bench (as you are seated on the bench) has a shorter shaft which slips into the bronze bushing on the platform. Be certain the two hangers with lock-ups are diagonal from each other.



Note: The “Wheelchair Directions” label should be facing out, thus readable while standing outside the swing.

Step Four: Wheelchair Platform Assembly

The wheelchair platform assembly consists of the platform and the ramp and are contained in the boxes labeled Box #7, Box #8. Use hardware contained in 3 different sub-kit packets: **Seat, Stabilizer Bars & Handrail Kit; Table Handrail Kit; Wheelchair Ramp Kit.**

The locknuts for the Table itself are already fastened to the imbedded bolts in the table.

Installing the platform and the floor handrail requires two workers.

1. Floor handrail: Securely place a stable object/block under the end of the platform to create enough space to install the floor handrail nuts. Insert the two bolts **(E)** through the top of the handrail plate on one side of the handrail. Secure by tightening the nuts **VERY TIGHT**.

Repeat the procedure to install two fasteners on the opposite side of the platform.

2. Attach Hangers to Platform:

Lift one end of the platform and slide the shafts into the bronze bushings on the platform.

Repeat this step for all of the hangers. Sometimes a rubber hammer is needed to make the shafts slip all the way into the bushings. **TIGHTEN THE NUTS ONTO THE SHAFT VERY TIGHTLY.**

3. Stabilizer Bar Installation: Note the location of holes on the hangers where the stabilizer bars will be installed. On the wheelchair side of a swing, the bar is located near the top of the hangers. (See drawing on page 11). On the bench side, the bar is located just above the swing platform.

Lift the upper stabilizer bar into place between the hangers. Put the four bolts **(F)** into place.

The nuts should be on the inside of the hanger. Repeat the same procedure for the lower stabilizer bar.

Do not securely tighten until the seat assembly is attached.

4. Gear Assembly Installation: Secure the gear assembly to the platform using four bolts **(H)**; the nuts need to be on the inside the of the platform. (See drawing on page on page 11)

DO NOT tighten yet. Ramp cannot be installed until the gear assembly is installed.

5. Ramp installation: Insert the square shaft of the wheelchair ramp into the gearbox.

Line up the pivot hole on the opposite side of the ramp with the hole on the platform. Insert the **bolt (I)**.

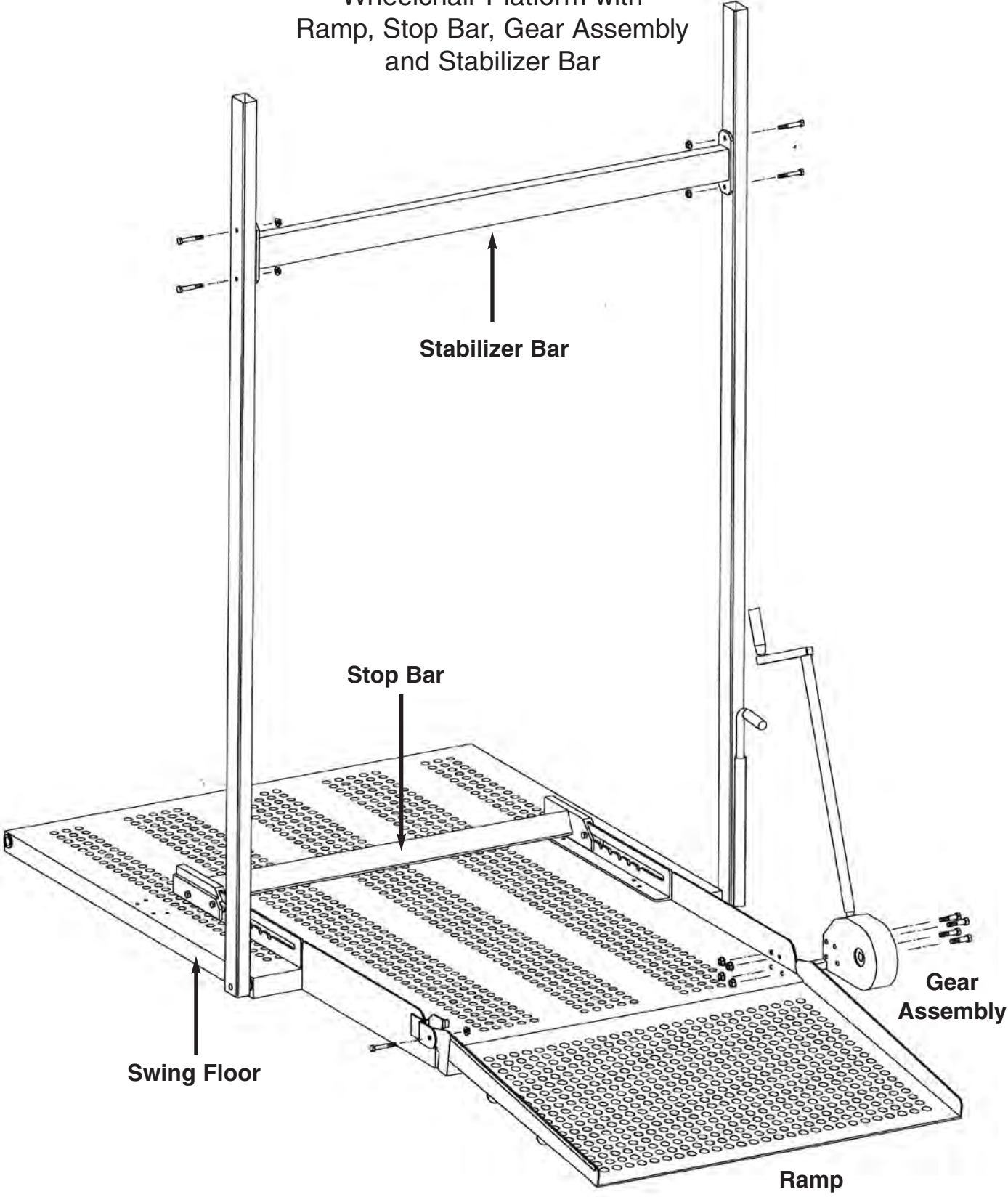
NOW tighten the **gearbox nuts (H) VERY TIGHT. CHECK TIGHTNESS IN THREE MONTHS.**

6. Table and Table handrails: Mount the table onto the floor handrail using the fasteners attached to the table. Then mount the table handrails to the sides of the floor handrail using the fasteners contained in the packet labeled "*Seat, Stabilizer Bars and Handrial Kit*".

7. The Stop Bar is already attached to the platform. Use of this movable bar assures that the wheelchair can be positioned snugly against the ramp.

Illustration for Step Four: Wheelchair Platform Assembly

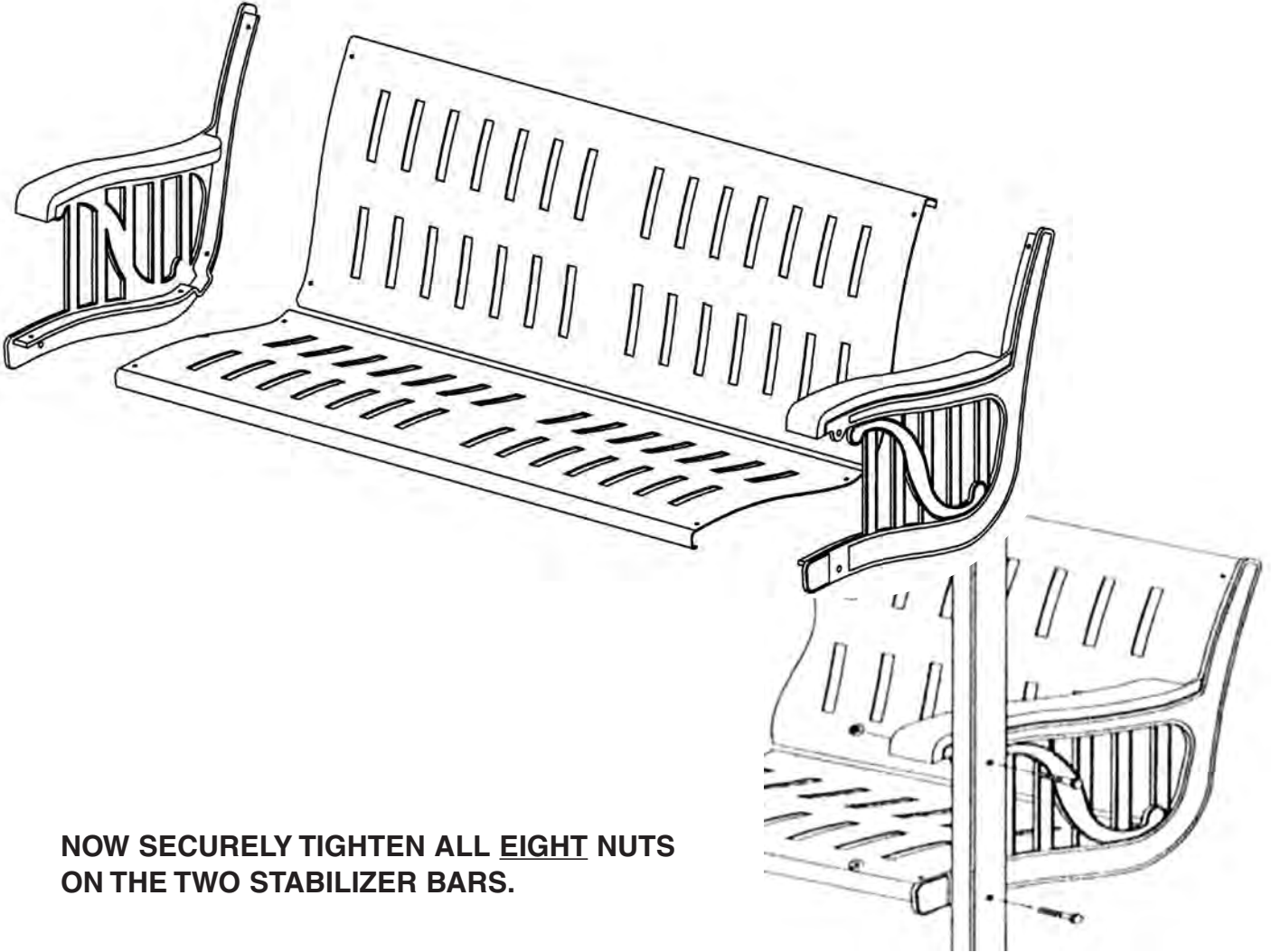
Wheelchair Platform with
Ramp, Stop Bar, Gear Assembly
and Stabilizer Bar



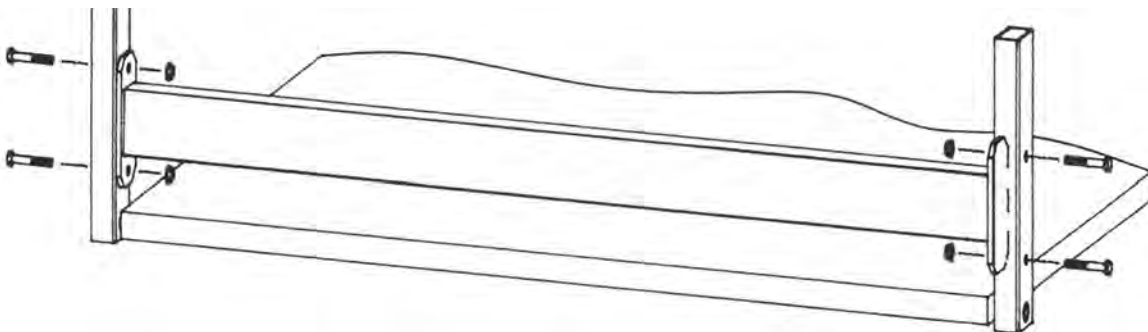
Step Five: Seat Assembly with Stabilizer Bar

**The Seat Assembly parts are in Box #3. The seat backs & bottoms are the same.
Use the hardware in “Seat, Stabilizer Bar & Safety Handrail kit”.**

1. Attach each seat castings to the hangers using bolts (F) and nuts. The nuts should be on the inside of the swing. Tighten all four nuts securely.
2. Assemble the seat bottom onto the seat ends. Secure with the oval head bolts and locknuts (E). The nuts should be on the bottom-side of the seat. **DO NOT TIGHTEN YET.** Assemble the seat back and secure with the oval head bolts and locknuts (E). The nuts should be on the backside of the seat. Now securely tighten all eight nuts on the seat bottom and seat back.



**NOW SECURELY TIGHTEN ALL EIGHT NUTS
ON THE TWO STABILIZER BARS.**



Step Six: Wheelchair Therapeutic Handles

The Wheelchair Therapeutic Handles (see page 2) are located in the small box labeled Wheelchair Therapeutic Handles.

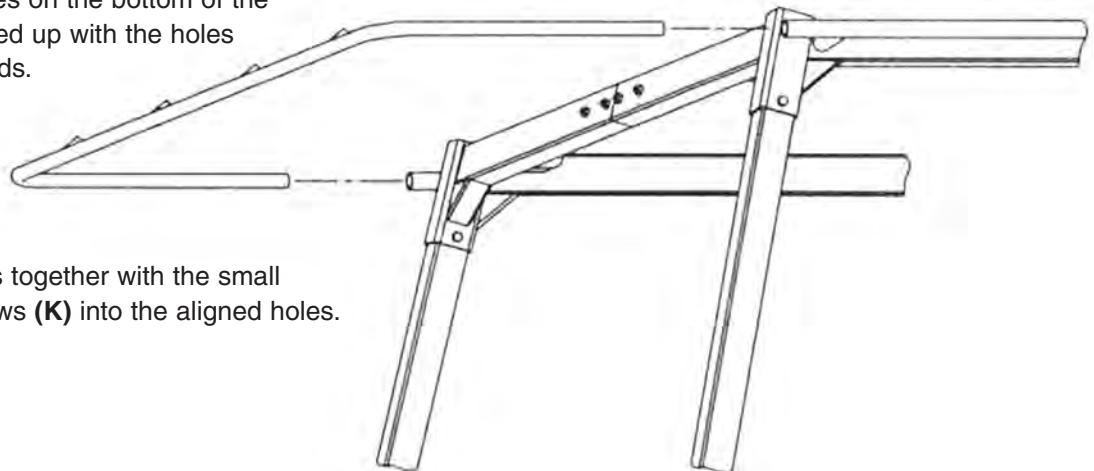
Note location of holes near the middle of the wheelchair-side hangers approximately half way up from the platform. The therapeutic handles are to be attached here. Install using the four 2-inch bolts and corresponding nuts in the fastener kit labeled "Therapeutic Handles".

Step Seven: Rail & Canopy Installation

Canopy rails(2) are contained in Box #6.

Use hardware contained in the "Frame Assembly Kit" pack.

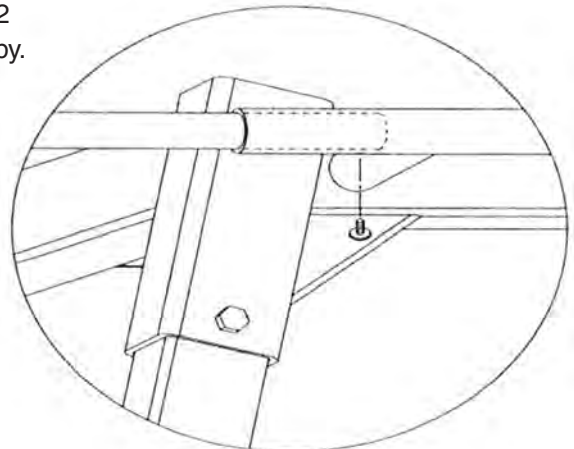
1. Ensure the short, angled tubes (of the canopy end rails) are facing **upward** for installation onto the frame.
2. Align each end of the canopy end rail with the side rails on the upper frame and slide into the side rails. Be sure to push both sides evenly or it will bind and be difficult to slide into place. Continue pushing the canopy end rail into the side rails until the small holes on the bottom of the canopy rail are lined up with the holes on the side rail ends.



3. Fasten the rails together with the small Phillips head screws (**K**) into the aligned holes. Tighten securely.

CANOPY INSTALLATION

4. There are four fiberglass rods. Insert a rod into each of the two middle holes of the canopy end rail. Next, while canopy is still not installed, thread the remaining two canopy rods through the 2 short pockets sewn lengthwise on the underside of the canopy.
5. Now lift the canopy onto and over the center rods. Maneuver the outside rods so they can be placed in their respective insert holes.
6. Fasten the canopy straps together around the canopy end rails and side rails.



Step Eight: Anchor Swing / Lock-Up Receptacles

Anchoring is one of the last steps of the installation process.

The swing legs and lock-up receptacles must be secured to the surface.

Use hardware contained in the “Anchoring Kit”.

• Swing (leg) anchoring

1. As necessary, adjust the swing into the final positioning place.
2. Note that there are 1/4" holes in each of the footplates at the end of each swing leg. These holes are used to fasten the swing securely to cement or wood decking.

ATTENTION!

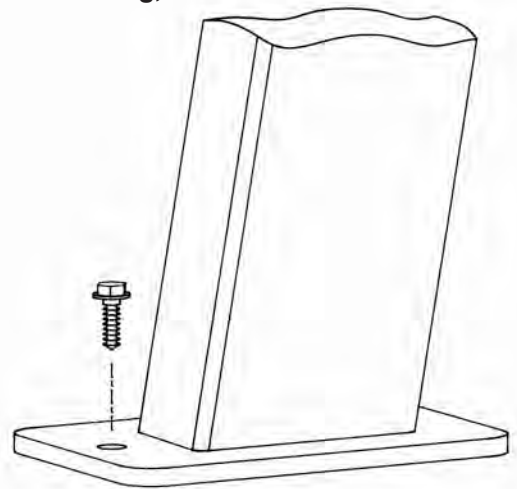
The *WhisperGLIDE*® swing will squeak (due to the interface between the legs and the upper frame) when in use, **unless the legs are in a settled position before fastening to the surface.** Therefore, firmly kick-out the bottom of each leg before securing, to make certain the swing is completely settled into place.

3. Fasten the leg footplates to the surface using screws (L).

Cement surface: Using the provided drill bit, drill a hole approximately 1-1/2" deep. Then secure with *cement Tapcon screws*.

Wood or composite surface:

Pre-drilling may or may not be required. Secure the screws.



• Lock-up receptacle installation

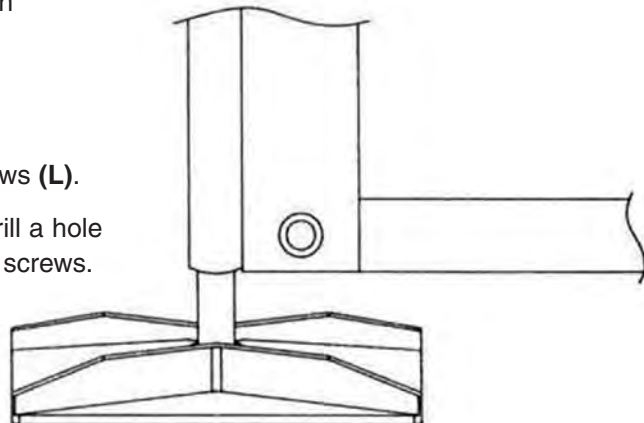
4. Position the lock-up receptacles directly below the lock-up shafts. **Ensure that the rectangular receptacle is positioned lengthwise with the direction of the swing action.** When fully extended, the shafts should just reach to the bottom of the lock-up receptacle.

5. Ensure the hangers are vertical. Fasten the receptacles to the surface using screws (L).

Cement surface: Using the provided drill bit, drill a hole approximately 1-1/2" deep and then secure with screws.

Wood or composite surface:

Pre-drilling may or may not be required. Secure the screws.



Safety Instructions for WhisperGLIDE® Swings

The *WhisperGLIDE*® Swing is designed with user safety in mind. However, as with all mechanical equipment, there are potential hazards which could result in injury to persons, and/or structural damage to the equipment, if the swing is improperly used or improperly supervised.

The *WhisperGLIDE*® Swing is designed for ***gentle back-and-forth swinging motion***.

It is NOT intended for rigorous aerobic or cardiovascular exercise.

Read the Following All Safety Instructions Prior to Swing Use

1. **Use only under supervision** of an individual trained in swing use.
2. **Secure swing lock-ups** before entering or exiting swing. **Do Not** enter or exit swing while it is moving.
3. **Do not enter or exit** swing without direction from a trained individual.
Failure to do so could result in loss of wheelchair control.
4. When wheelchair is in position on swing, **lock wheelchair brakes**.
Failure to do so could result in loss of wheelchair control.
5. **Always** stay sitting upright when the swing is in motion. **Do Not** lean sideways past vertical hangers or arm rests. **Do Not** allow children to stand on swing seats.
6. **Always** keep hands, head and feet inside seat area.
7. **Weight limits:** Limit total weight of swing occupants to 900 pounds. Limit the weight of the wheelchair and wheelchair occupant to 450 pounds.
8. **To create swing movement**, use wheelchair-side therapeutic handles; occupants of bench seat use hands on table bar or feet on platform.
9. **Recommendation:** Padlock the swing when adult supervision is not available.



WARNING!

- To reduce risk of injury stay seated, sitting upright, with hands, head and feet inside seat area.
- **Do not** lean sideways past arm rests.
- **Do not** enter or exit while the swing is moving.

Maintenance of Your WhisperGLIDE® Swing

Maintenance & Cleaning	
General	<p>Check ALL fasteners at least once per year for tightness.</p> <p>Periodically check instruction labels that are on the swing. If any labels become detached, contact <i>WhisperGLIDE</i> Swing Company for replacements.</p> <p>To extend the life of your swing, clean it on a regular basis, at least once or twice a year. For swings placed outdoors, periodically hose-rinse with a strong stream of water or power wash. This will help remove dust, pollens, and other pollutants.</p>
Aluminum Frame	<p>Clean with a soft cloth. Use a non-abrasive cleaner to remove any scuff marks. If necessary, touch-up any nicks or scratches with paint.</p> <p>Use automotive wax once or twice a year to maintain luster and protect finish. Wax will make washing and cleaning easier.</p>
Canopy and Cushion Fabric	<p>Clean with a mild household detergent or a multi-surface cleaner such as 409. Treat stains promptly. Many stains can be removed with a solution of mild detergent and water. Rinse thoroughly until the water runs clear. If you use a more abrasive fabric cleaner, test the cleaner first on a small, inconspicuous area of the fabric.</p>
Table Top	<p>Clean regularly with a soft cloth, a mild, non-abrasive cleaner and warm water. Dried stains: presoak with sudsy cloth; clean with warm water or use a fiberglass cleaner/wax.</p> <p>DO NOT use solvents, harsh janitorial cleaners, or scouring agents.</p>
Swing Platforms, Seats, Armrests	<p>These closed-cell vinyl-coated parts can be cleaned using a solution of mild, soapy warm water. Rinse well with hose, if possible.</p> <p>DO NOT use harsh abrasives or chemicals, as they may react with the vinyl.</p>
Gearbox	<p>Ensure the gearbox is adequately greased every five years (grease fitting is on the back of gearbox).</p>
Storage and Safety & Warranty Coverage	
Storage Safety & Warranty Coverage	<p>The swing may remain outdoors throughout the twelve months of the year. Remove the canopy and cushion(s) for the off-season. Clean canopy and cushions and dry thoroughly before storing.</p> <p>FOR SAFETY and WARRANTY COVERAGE: When removing the canopy for any reason, remove and store the fiberglass canopy rods and aluminum canopy end rails. If left directly exposed to the outdoor elements, the rods will dry out and splinter.</p> <p>Cover the seats and platform with heavy plastic or tarp. This will reduce spring clean-up and extend the life of your swing.</p>

Maintenance of Your WhisperGLIDE® Swing

Canopy & Cushion Care

TEXTILENE®

FABRIC NAMES: BASKETWEAVE, EARTHBRIGHT, FERN DANCE, FOREST GREEN, SAHARA BEAUTY, SEA BREEZE, SIERRA MOUNTAIN, WINDSOR TRELLIS, WOODLAND GREEN

Common Dirt: Take care of stain promptly with warm water and strong detergent. Rinse thoroughly with clear water and dry completely.

Beer or Coffee: Use strong liquid detergent with warm water and white vinegar.

Oil or Grease: Use bleach and rubbing alcohol.

Berry Juices, Wine or Blood: Use strong liquid detergent, warm water and ammonia.

Mildew: Use strong detergent with 20% solution of bleach and warm water.

LEISURETEX™

FABRIC NAMES: COFFEE LINEN, CYPRESS WOODS, MOCHA THYME, TERRA SIENNA

Common Dirt: Spot wash by sponging briskly with a lukewarm solution of mild soap and water. Sponge thoroughly to remove soap, let air dry. Do not use oil cleaners.

Suntan Oil: Use solution recommended by suntan oil supplier. Follow directions on container. Sponge thoroughly to remove soap residue.

Do not machine launder, dry clean or steam clean. Do not scrub with stiff bristle brush.

FOR SAFETY and WARRANTY COVERAGE:

When removing the canopy for any reason including the offseason, also remove the fiberglass canopy rods and aluminum canopy end rails!

Outdoor Swing Mildew Advisory

Mildew is a fungus growth that looks like dirt but will not be completely removed with detergent. Mildew spores not destroyed or removed during detergent cleansing will grow after the cleaning.

Your Canopy / Cushion and Swing Seats / Floor

TEXTILENE®, Leisuret看™ and Diversatex™ fabrics are mildew resistant. The vinyl of the WhisperGLIDE® Swing seats and floor is also mildew resistant. In most areas of the country, under ordinary conditions, mildew

will not appear. However, when high temperature and humidity are common, mildew can be a problem. A bleach solution can be used on Textilene and Diversatex fabrics but NOT on Leisuretex fabrics.

If you see mildew on the swing seats or swing floor, or do not see any but know it is a problem in your area, periodically scrub or sponge the seats/floor with a power washer OR a solution of 1 part bleach to 4 parts water OR a commercial mildew remover (such as Tilex®). Rinse thoroughly. Avoid skin and eye contact when working with bleach solutions.



WhisperGLIDE® Swing Company LIMITED WARRANTY

WhisperGLIDE® Warranty Coverage

The *WhisperGLIDE* Swing Company warranty covers all defects in workmanship or materials, to the original purchaser only, for the following conditions and periods of time:

- **10 years** from date of purchase
Pivot bushings – defects and general wear
- **10 years** from date of purchase
Metal frames – defects in metal tubing, broken welds from normal use
- **5 years** from date of purchase
Powder-coat finish – peeling, cracking or blistering under normal conditions
- **2 years** from date of purchase
Gear box – all moving components
- **2 years** from date of purchase
#200, #300, #500 & #600 Series canopies – tearing with normal care
- **2 years** from date of purchase
#200, #310, #510 & #610 cushions – tearing with normal care

WhisperGLIDE® Warranty Does Not Cover:

- Product that has not been maintained per *WhisperGLIDE*'s maintenance instructions
- Oxidation resulting from exposed metals which have been scratched or not maintained
- Unreasonable use
- Normal mildew or fade
- Table breakage due to impact
- Problems resulting from neglect by original purchaser
- Unauthorized repairs made or attempted
- Returns without prior authorization from the *WhisperGLIDE* customer service department
- Damage due to situations including, but not limited to, falling objects, storm, earthquake, tornado, flood, explosion, and fire.

What you can expect from quality WhisperGLIDE® Products

WhisperGLIDE products represent the finest in craftsmanship and quality. Under normal use, however, expect to see some effects from various environments. For example, this may include some color fading on fabrics, PVC components or the painted aluminum frame. It is therefore necessary to care for your swing as outlined in the maintenance instructions.

WhisperGLIDE's Obligations

WhisperGLIDE will, at our option, repair or refinish or replace, OR provide the necessary materials or components to repair or refinish or replace, with same or similar product if discontinued, the defective product or part during the periods listed above, to the original purchaser only. If provided, the repaired or replaced component will be of comparable value or the same as the original part or product.

Obtaining service from WhisperGLIDE Swing Company

Contact the *WhisperGLIDE* Swing Company corporate office at 1-800-944-7737 or swings@whisperglide.com



© Copyright 2018 *WhisperGLIDE* Swing Co., LLC