

# WRH ACTIVE HOT CATHODE PIRANI GAUGE

edwardsvacuum.com

**The active Hot Cathode wide range gauge (WRH) offers the ability to measure from atmosphere to  $10^{-10}$  mbar with a single gauge, with accuracy and repeatability.**

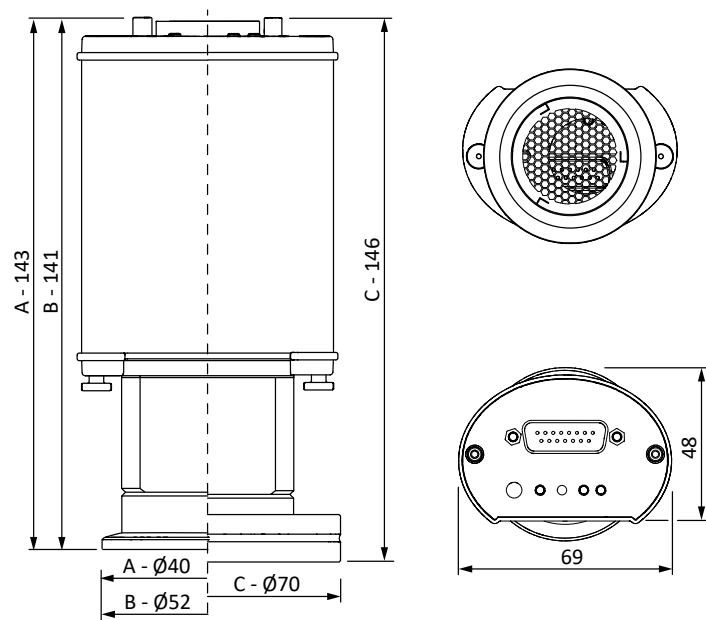
The WRH gauge utilises 2 measurement methods (bayard-alpert & pirani) in a single package, giving you everything you need to measure and control your system. With analogue and RS485 output available via the D-SUB connector, 2 onboard relays and easy calibration, control and monitoring is simple. Utilising the included software, you can easily track and log your system's performance and also make adjustments to the gauges behaviour, such as setting the set points or changing the output scaling. This gauge is the perfect companion for many applications, from R&D institutes to high end mass spectrometry and through to general industry.

## Features and benefits

- All in one wide pressure measurement
- Dedicated software package included to allow full control/monitoring/modification
- Bakeable up to 180°C
- Analogue and RS485 output on same gauge
- LED status indicators
- 2 adjustable set points



## Dimensions



A = D14750100  
 B = D14750110  
 C = D14750120

## Technical data

WRH	
Measuring range	1000 – 5e <sup>-10</sup> mbar
Accuracy	1000 to 10 mbar ± 30%, 10 to 1e <sup>-8</sup> mbar: ± 10%
Repeatability	10 to 1e <sup>-2</sup> mbar ± 2%, 1e <sup>-2</sup> to 1e <sup>-8</sup> mbar: ± 5%
Dimension	141 mm x 69 mm x 55 mm
Weight	0.475 kg
Max overload pressure	4 bar abs.
Materials in contact with vacuum	Stainless steel 1.4307, Tungsten, Nickel, Glass, Platinum, Iridium, Yttrium Oxide
Emission current	9 µA, 100 µA, 1.0 mA, 2.0 mA
Operating temp	+5...+60 °C
Storage temp	40...+65 °C
Bake out temp	Max. 180°C at the flange (voltage supply switched-off)
Voltage supply	20 – 30 VDC
Power consumption	Max. 8 W
Output signal	0 – 10 VDC analogue or RS485
Electrical connection	15 pin D-Sub
Protection class	IP40

## Ordering information

Part number	Part description
D14750100	WRH-NW25
D14750110	WRH-NW40
D14750120	WRH-DN40CF
D14750101	WRH-NW25 Spare sensor
D14750111	WRH-NW40 Spare sensor
D14750121	WRH-DN40CF Spare sensor
D14750880	Instruction manuals

## GLOBAL CONTACTS

Publication Number: 3601 0610 01  
 © Edwards Limited 2020. All rights reserved.  
 Edwards and the Edwards logo are trademarks of Edwards Limited.

Whilst we make every effort to ensure that we accurately describe our products and services, we give no guarantee as to the accuracy or completeness of any information provided in this datasheet.

Edwards Ltd., registered in England and Wales  
 No. 6124750, registered office: Manor Royal,  
 Crawley, West Sussex RH10 9LW, United Kingdom.

### EMEA

**UK** +44 (0) 1444 253 000  
 (local rate) 0845 921 2223

**Belgium** +32 2 300 0730

**France** +33 1 4121 1256

**Germany** 0800 000 1456

**Italy** +39 02 48 4471

**Israel** +972 8 681 0633

### ASIA PACIFIC

**China** +86 400 111 9618

**India** +91 20 4075 2222

**Japan** +81 47 458 8836

**Korea** +82 31 716 7070

**Singapore** +65 6546 8408

**Taiwan** +886 3758 1000

### AMERICAS

**USA** +1 800 848 9800

**Brazil** +55 11 3952 5000