

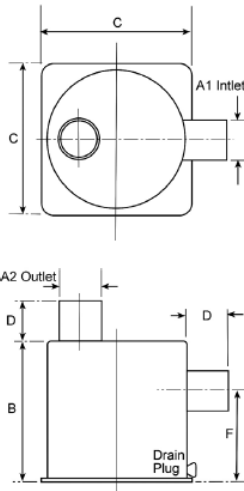
HMI Lift Silencers – Clearance

All subject to still being unsold. Call T.Norris 020 8560 3453

Lift silencers - Side in top out

Side in top out lift silencers										
Part No.	Reference	A1		A2		B	C	D	F	Weight kg
		inch	mm	inch	mm					
H001615	HST005	1.5	38	1.5	38	169	200	38	95	1.5
H001616	HST010	1.5	38	1.5	38	230	200	38	139	1.8
H016156	HST025B	1.6	40	1.57	40	169	200	38	95	2.2
H001618	HST035	1.6	40	1.57	40	255	275	55	165	3.3
H001619	HST055	1.77	45	1.77	45	230	200	50	139	1.9
H009936	HST105	2	51	2	51	230	200	51	139	1.9
H012242	HST110B	2	51	2	51	255	275	51	165	3.3
H001623	HST115	2	51	2	51	305	324	81	200	4.9
H001624	HST145	2.36	60	2.36	60	305	324	75	200	5.1
H001625	HST150	2.36	60	2.36	60	255	275	74	165	3.5
H010352	HST165	2.5	63	2.5	64	255	275	64	165	3.5
H013927	HST200B	3	76	3	76	255	275	76	165	4.4
H013281	HST205B	3	76	3	76	305	324	100	184	6
H001630	HST210	3.5	89	3.5	89	305	324	90	184	5.6
H016159	HST215B	4	102	4	102	305	324	102	184	5.6
H001632	HST220	5	127	5	127	370	446	102	222	10
H001633	HST225	5	127	5	127	343	342	114	219	6.6
H001634	HST230	6	152	6	152	370	446	127	254	11.4
H001635	HST235	6	152	8	203	370	446	152	222	12.4
H001636	HST240	8	203	8	203	585	500	200	392	15.6
H017157	HST250	10	254	10	254	576	635	250	400	30.1

Drawings and dimensions are for guidance. Alternative sizes and configurations



Model	RRP	Offer Price
HST110	£344.66	£199.00
HST150	£399.95	£220.00

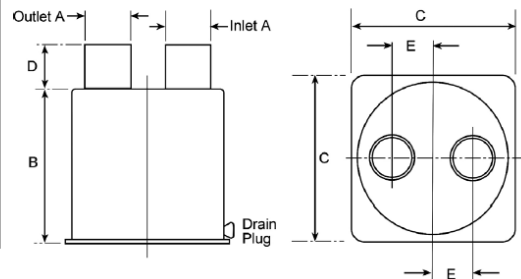
Model	RRP	Offer Price
HST200	£364.58	£202.00
HST035	£394.01	£220.00

Lift Silencers - Top in top out



Top in top out lift silencers								
Part No.	Reference	A		B	C	D	E	Weight kg
		inch	mm					
H001671	HTT005	1.5	38	158	200	50	44	1.5
H001673	HTT025	1.6	40	158	200	50	44	1.5
H001674	HTT030	1.6	40	230	200	53	44	1.9
H001675	HTT040	1.77	45	158	200	50	44	1.5
H001676	HTT045	1.77	45	230	200	50	44	1.9
H001677	HTT055	2	51	158	200	72	44	1.6
H001678	HTT065	2	51	255	275	51	68	3.3
H001679	HTT070	2	51	305	324	80	84	4.9
H001680	HTT085	2.36	60	255	275	73	68	3.5
H001681	HTT090	2.5	63	255	275	64	68	3.5
H001682	HTT110	3	76	255	275	76	68	3.7
H001683	HTT115	3.5	89	305	324	90	84	5.6
H016162	HTT120B	4	102	305	324	102	70	5.6
H001685	HTT125	5	127	370	446	128	83	10.4
H001686	HTT130	6	152	370	446	127	102	10.7
H010299	HTT135	8	203	521	548	201	122	17.9

Drawings and dimensions are for guidance. Alternative sizes and



Model	RRP	Offer Price
HTT085	£398.25	£220.00
HTT040	£343.62	£204.00

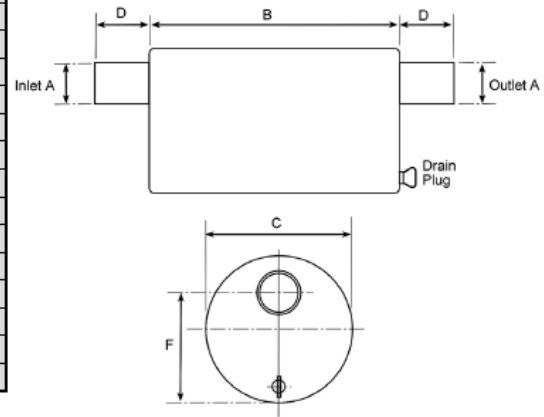
Model	RRP	Offer Price
HTT065	£391.50	£220.00
HTT055	£344.37	£204.00



Lift silencers - End in end out



End in end out lift silencers								
Part No.	Reference	A		B	C	D	F	Weight kg
		inch	mm	mm	mm	mm	mm	
H001496	HEE005	1.5	38	250	178	55	141	1.7
H001497	HEE010	1.6	40	250	178	65	133	1.8
H001498	HEE020	1.77	45	250	178	65	133	1.8
H001499	HEE035	2	51	310	178	65	133	2.1
H001500	HEE040	2	51	420	254	65	195	4.2
H001501	HEE045	2	51	250	178	65	133	1.8
H001502	HEE060	2.36	60	310	254	75	195	3.7
H001503	HEE065	2.36	60	420	254	75	195	4.4
H001504	HEE070	2.5	63	420	254	75	195	4.4
H001505	HEE080	3	76	420	254	80	195	4.7
H001506	HEE090	3.5	89	465	254	89	188	5.2
H001507	HEE095	4	102	462	305	102	222	6.8
H001508	HEE100	4.5	114	462	305	114	220	7
H001509	HEE105	5	127	599	305	126	220	8.8
H001510	HEE110	6	152	640	346	152	260	11.4
H010303	HEE115	8	203	695	446	205	297	18.4



Drawings and dimensions are for guidance. Alternative sizes and configurations available on request.

Model	RRP	Offer Price
HEE040	£368.64	£216.00
HEE035	£309.91	£198.00

Model	RRP	Offer Price
HEE020	£302.07	£195.00

Delivery extra. All prices plus V.A.T